

251657216

Product Data Sheet

8315100115
VCS0045XUGAS
RVE45-3/54/2A

ebmpapst

The engineer's choice



RVE45-3/54/2A

INDEX

1	General	3
2	Mechanics	3
2.1	General	3
2.2	Connections	3
3	Operating Data	5
3.1	Electrical Interface - Input	5
3.2	Electrical Operating Data	6
3.3	Electrical Interface - Output	7
3.4	Electrical Features	8
3.5	Aerodynamics	9
3.6	Sound Data	10
4	Environment	10
4.1	General	10
4.2	Climatic Requirements	10
4.3	EMC	10
5	Safety	12
5.1	Electrical Safety	12
5.2	Approval Tests	12
6	Reliability	12
6.1	General	12

1 General

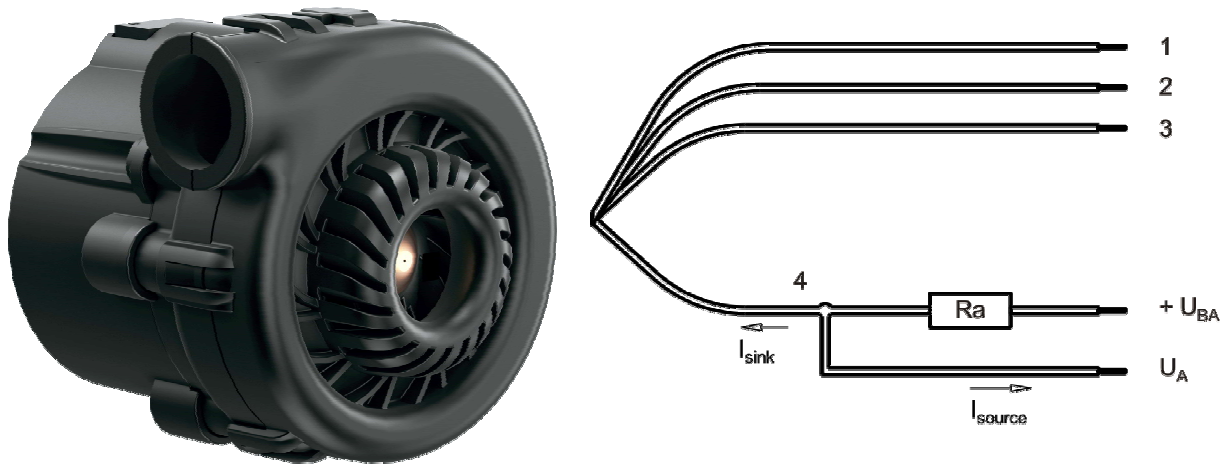
Fan type	Blower	
Rotating direction looking at rotor	Counterclockwise	
Airflow direction	Air in axially, Air out radially	
Bearing system	Ball bearing	
Mounting position - shaft	Any	

2 Mechanics**2.1 General**

Width	64,6 mm	
Height	64,5 mm	
Depth	65,5 mm	
Diameter	57 mm	
Mass	0,16 kg	
Housing material	FDA approved plastics for the air-conducting parts (top and bottom housing) and V0 for the motor and electronics cover	
Impeller material	FDA approved plastics	

2.2 Connections

Electrical connection	Wires	
Lead wire length	L = 354 mm	
Tolerance	+ - 11 mm	
Wire size (AWG)	22	
Insulation diameter	1,7 mm	



Wire	Color	Operation	Wire size	Insulation diameter
1	red	+ UB	AWG 22	1,7 mm
2	blue	- GND	AWG 22	1,7 mm
3	violet	CTRL	AWG 22	1,7 mm
4	white	Tacho	AWG 22	1,7 mm

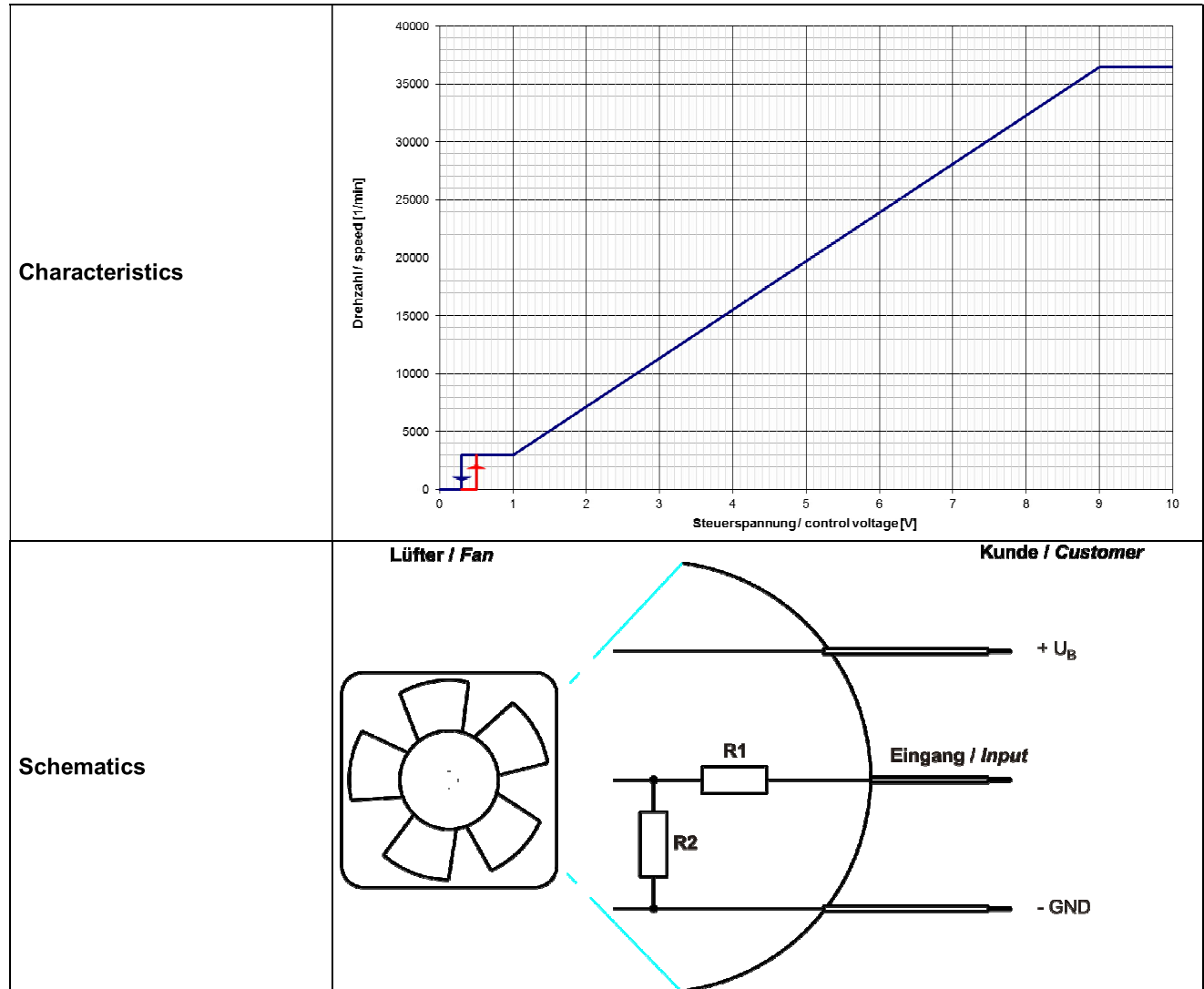
3 Operating Data

3.1 Electrical Interface - Input

Control input	Analog
---------------	--------

Features

Input voltage range	0 V - 10 V
---------------------	------------



Information to the curve:

0V - 0,5V:	0 1/min (corresponding to minimum speed or power)
0,5V - 1V:	3000 1/min (corresponding to minimum speed)
1V - 9V:	linearly increasing curve (coming from 0V)
9V - 10V:	37.000 1/min (corresponding to maximum speed)
1V - 0,3V	3000 1/min (corresponding to minimum speed, coming from 10V)
0,3V - 0V	0 1/min (corresponding to minimum speed or power)

If the setpoint is set to 0V, the fan brakes from < 20,000 rpm.
The fan is controlled and not regulated. The speed depends on the operating voltage and the operating point.

3.2 Electrical Operating Data

Measurement conditions: Normal air density = 1,2 kg/m³; Temperature 23°C +/- 3°C; Motor axis horizontal; warm-up time before measuring 5 minutes. In the intake and outlet area should not be any solid obstruction within 0,5 m.

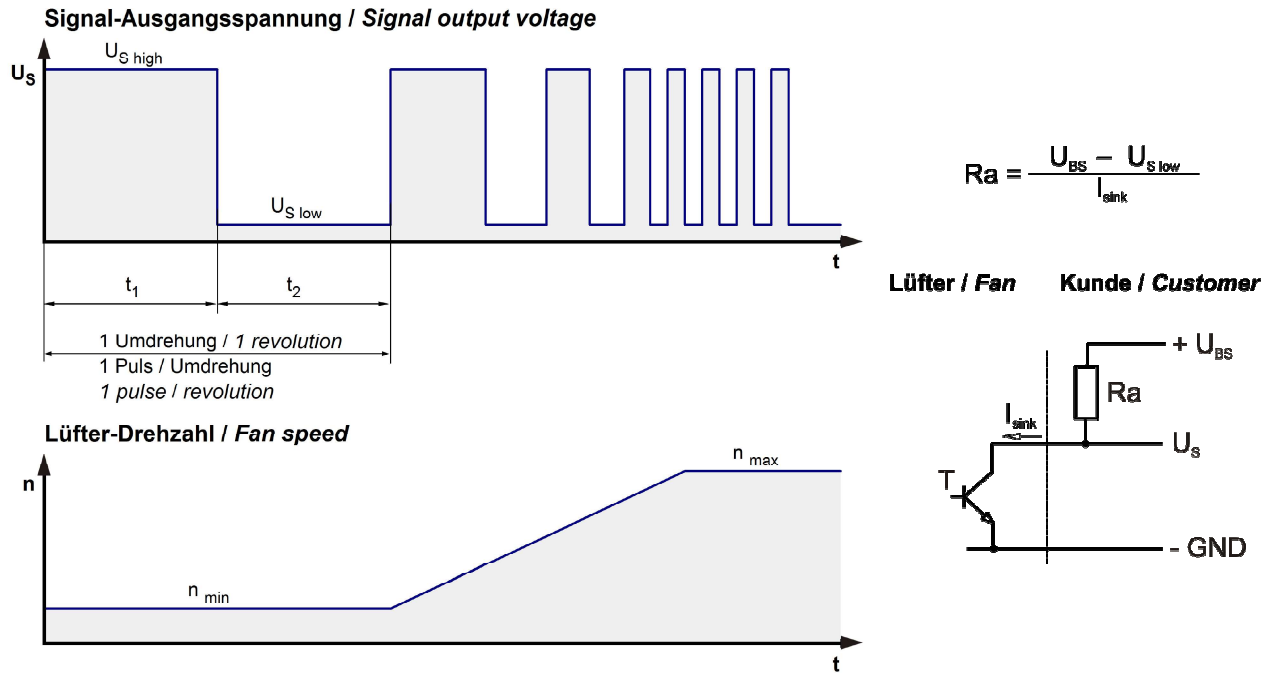
$\Delta p = 0$: corresp. to free air flow (see chapter aerodynamics)
I: corresp. to arithm. mean current value

Name	Condition
U Contr. 0001	U Contr.: 10 V

Features	Condition	Symbol	Values		
Voltage range		U	16 V		30 V
Nominal voltage		U_N		24 V	
Power consumption	$\Delta p = 0$	P	16 W	36 W	37 W
Tolerance	U Contr. 0010		+/- 10 %	+/- 10 %	+/- 10 %
Current consumption	$\Delta p = 0$	I	1.000 mA	1.500 mA	1.250 mA
Tolerance	U Contr. 0010		+/- 10 %	+/- 10 %	+/- 10 %
Speed	$\Delta p = 0$	n	27.500 1/min	36.500 1/min	37.000 1/min
Tolerance	U Contr. 0010		+/- 10 %	+/- 10 %	+/- 10 %
Starting current consumption				<= 3.000 mA	

3.3 Electrical Interface - Output

Tacho type	/2 (open collector)
------------	---------------------



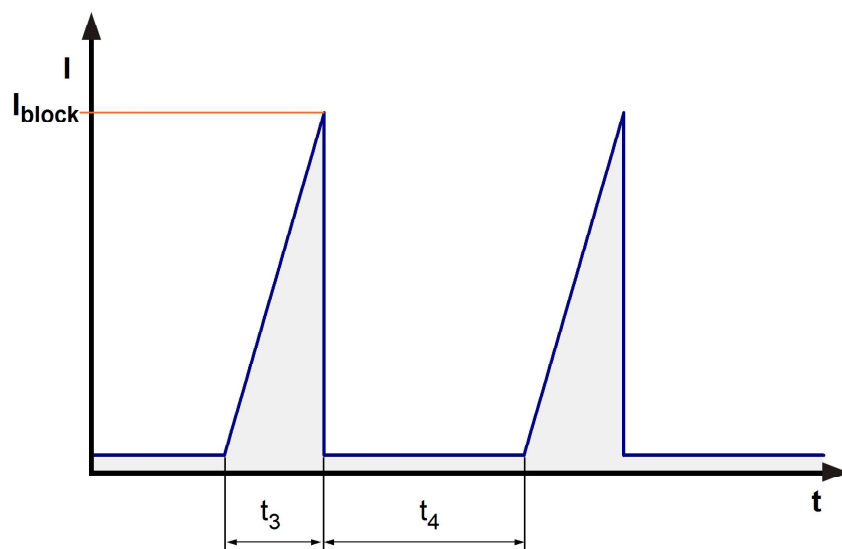
Features		Note	Values
Tacho operating voltage	U_{BS}		$\leq 30\text{ V}$
Tacho signal Low	$U_{S\ low}$	$I_{sink}: 2\text{ mA}$	$\leq 0,4\text{ V}$
Tacho signal High	$U_{S\ high}$	$I_{source}: 0\text{ mA}$	$\leq 30\text{ V}$
Maximum sink current	I_{sink}		$\leq 4\text{ mA}$
Maximum source current			0 mA
External resistor		External resistor R_a from U_{BS} to U_S required. All voltages measured to GND.	
Tacho frequency		$n / 60$	$616\text{ Hz @ } 37.000\text{ 1/min}$
Tacho isolated from motor		No	
Slew rate			$\Rightarrow 0,5\text{ V/us}$

n = revolutions per minute (1/min)

3.4 Electrical Features

Electronic function	Open loop speed	
Reversed polarity protection	N-CH FET	
Max. residual current at U_N	$I_F \leq 1 \text{ mA}$	
Locked rotor protection	Auto restart	
Locked rotor current at U_N	I_{block} approx. 70 mA	
Clock signal at locked rotor	t_3 / t_4 typical: 0,22 s / 0,22 s	
Voltage control *)	Fan turns on at $U_B > 15 \text{ V}$ or $< 31 \text{ V}$ Fan turns off at $U_B < 14 \text{ V}$ or $> 32 \text{ V}$	

*) This fan has an undervoltage and overvoltage control circuit integrated which turns the motor off if the voltage is out of range.



3.5 Aerodynamics

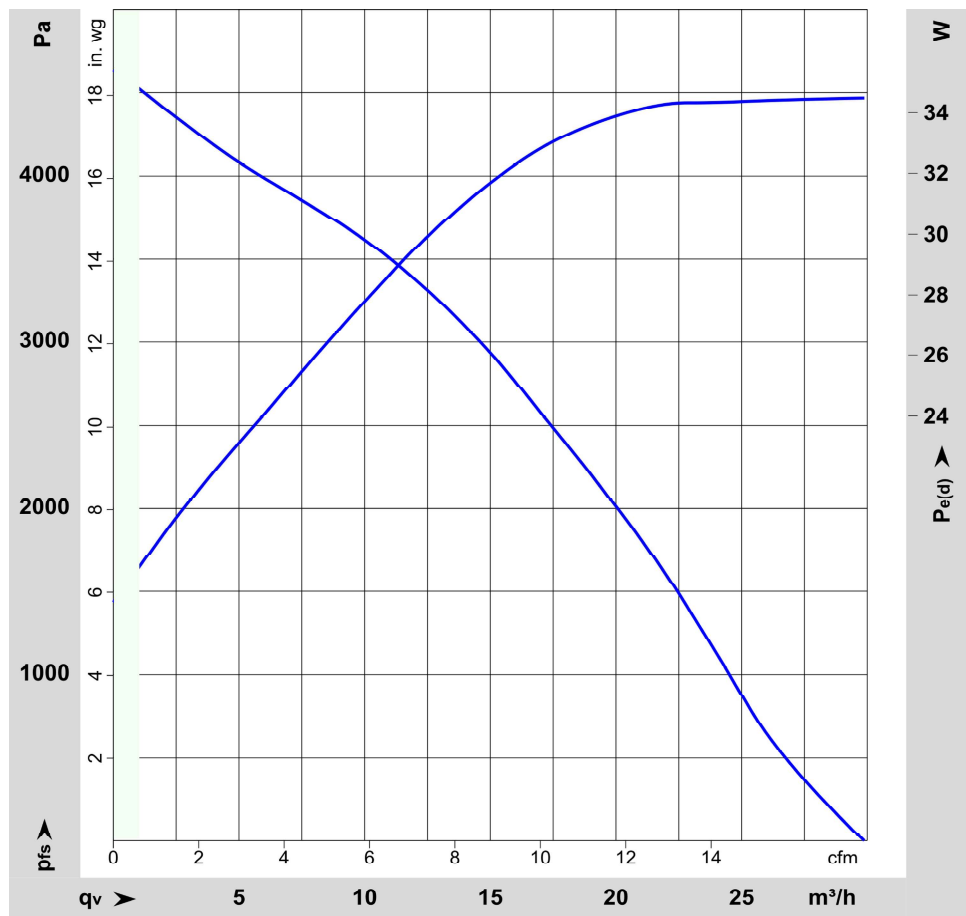
Measurement conditions:

Measured with a double chamber intake rig acc. to DIN EN ISO 5801.
 Normal air density = 1,2 kg/m³; Temperature 23°C +/- 3°C;
 In the intake and outlet area should not be any solid obstruction within 0,5 m. Motor shaft horizontal.
 The information is only valid under the specified test conditions and may be changed by the installation conditions. If there are deviations from the standard test conditions, the characteristic values must be checked under the installed conditions. Power consumption of the fan motor when operating at normal voltage is shown. Depending on the operating conditions of the application, the power input may be higher.

a.) Operation condition:

36.500 1/min at free air flow	U Contr. 10 V		
Max. free-air flow ($\Delta p = 0 / \dot{V} = \text{max.}$)		30 m ³ /h	
Max. static pressure ($\Delta p = \text{max.} / \dot{V} = 0$)		4.500 Pa	

The fan must not be operated at < 1m³ / h.



3.6 Sound Data

Measurement conditions: Sound pressure level: 1 meter distance between microphone and the air intake.
Sound power level: Acc. to DIN 45635 part 38 (ISO 10302)
Measured in a semianchoic chamber with a background noise level of $L_p(A) < 5 \text{ dB(A)}$
For further measurement conditions see chapter aerodynamics.

a.) Operation condition:

36.500 1/min at free air flow	U Contr. 10 V		
Optimal operating point			
Sound power level at the optimal operating point			
Sound pressure level at free air flow, measured in rubber bands	58 dB(A)		

4 Environment

4.1 General

Min. permitted ambient temperature TU min.	-20 °C	
Max. permitted ambient temperature TU max.	65 °C	
Min. permitted storage temperature TL min.	-40 °C	
Max. permitted storage temperature TL max.	85 °C	

4.2 Climatic Requirements

Humidity requirements	humid heat, constant; according to DIN EN 60068-2-78, 14 days	
Water exposure	None	
Dust requirements	None	
Salt fog requirements	None	

Permitted application area:

The product is intended for use in sheltered rooms with controlled temperature and controlled humidity. Directly exposure to water must be avoided.

Pollution degree 1 (according DIN EN 60664-1)

There is either no pollution or it occurs only dry, non-conductive pollution. The pollution has no negative impact.

Please require severity levels and specification parameters from the responsible development departments.

4.3 EMC

Kind	Electrostatic Discharge Immunity Test
According	DIN EN 61000-4-2:2001-12
Check accuracy / Limit	Contact Discharge +/- 4 kV; Air Discharge +/- 8 kV
Result	A: The monitored function operates as designed during and after exposure to a disturbance.

Kind	Electromagnetic Field Immunity Test
Accordinging	DIN EN 61000-4-3:2006-12
Check accuracy / Limit	10 V/m; 80 - 1000 MHz; AM; m = 0,8; f = 1 kHz; 1%; t = 3 s
Result	A: The monitored function operates as designed during and after exposure to a disturbance.

Kind	Electrical Fast Transient / Burst Immunity Test
Accordinging	DIN EN 61000-4-4:2005-07
Check accuracy / Limit	+/- 2 kV on Power Lines; Coupling: POS, NEG, {PE}, ALL, 5 kHz and 100 kHz; 1 min
Result	A: The monitored function operates as designed during and after exposure to a disturbance.

Kind	Immunity to Conducted Disturbances, Induced by RF-Fields
Accordinging	DIN EN 61000-4-6:2001-12
Check accuracy / Limit	10 Vrms; 150 kHz - 80 MHz; AM; m = 0,8; f = 1 kHz; 1%; t = 3 s
Result	A: The monitored function operates as designed during and after exposure to a disturbance.

5 Safety

5.1 Electrical Safety

Dielectric strength DIN EN 62368 and DIN EN 60335 A.) Type test Measuring conditions: After 48h of storage at 95% R.H. and 25°C. No arcing or breakdown is allowed! All connections together to ground. B.) Routine test Measuring conditions: At indoor climate. No arcing or breakdown is allowed! All connections together to ground.	500 VAC / 1 Min. 850 VDC / 1 Sec.	
Isolation resistance Measuring conditions: After 48h of storage at 95% R.H. and 25°C measured with U=500 VDC for 1 min.	RI > 10 MOhm	
Clearance / creepage distance	1,0 mm / 1,2 mm	
Protection class	III	

5.2 Approval Tests

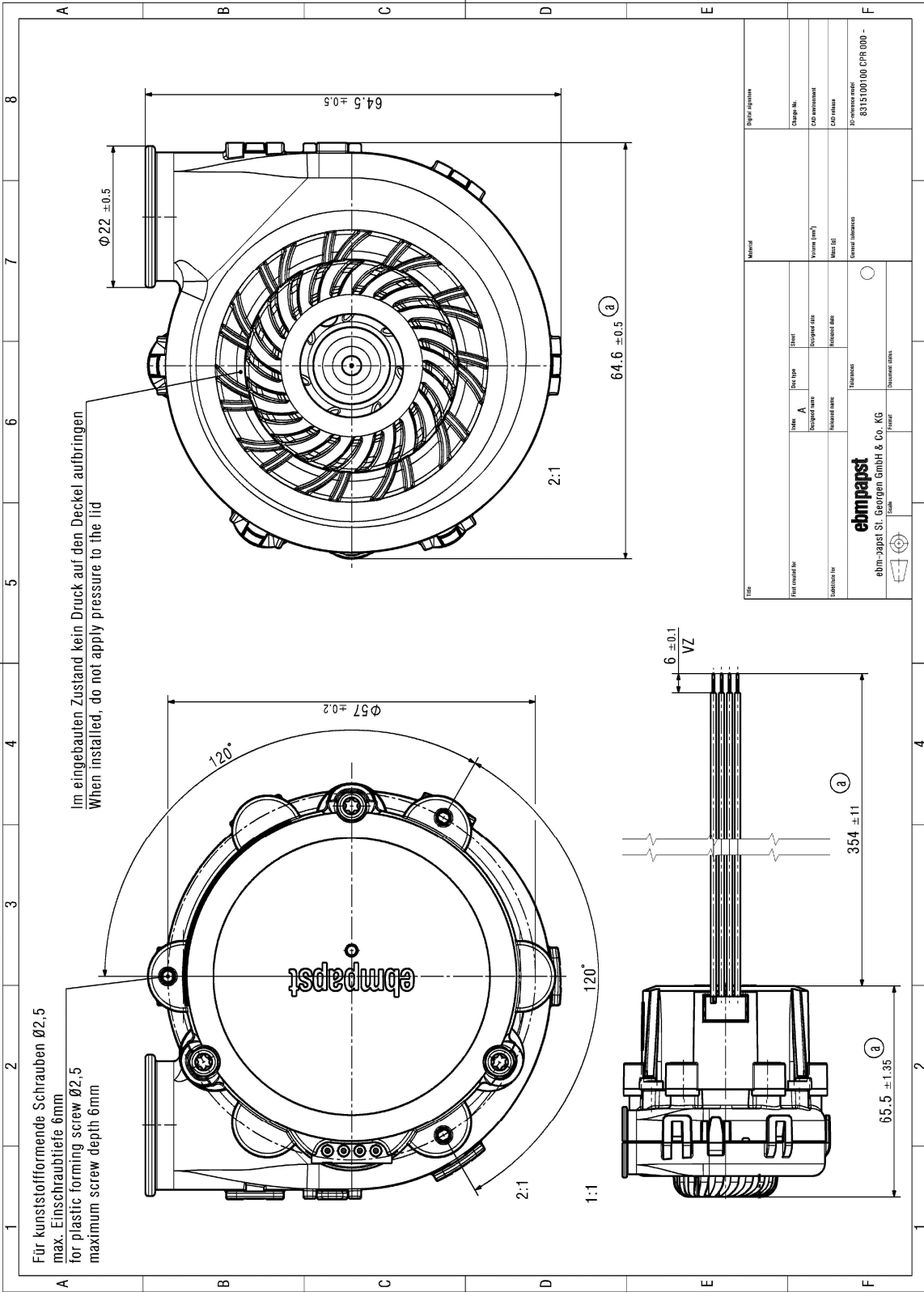
CE	EC Declaration of Conformity	Yes
EAC	Eurasian Conformity	Yes
UL	Underwriters Laboratories	Yes / UL507, Electric Fans E38324
VDE	Association for Electrical, Electronic and Information Technologies	Yes / Approval acc. to EN 62368 - Audio/video, information and communication technology equipment
CSA	Canadian Standards Association	Yes / CSA audited by UL according to C22.2 No. 113 Fans and Ventilators
CCC	China Compulsory Certification	Not applicable

6 Reliability

6.1 General

Life expectancy L10 at TU = 20 °C	22.500 h	
Life expectancy L10 at TU = 40 °C	17.500 h	
Life expectancy L10 at TU max.	8.500 h	
Life expectancy L10 acc. to IPC 9591 at TU = 40 °C	27.5 00 h	
Life expectancy L10 acc. to IPC 9591 at TU = 25 °C	45.0 00 hrs	

The reproduction, distribution and utilization of this document as well as the communication of its contents to others without express authorization is prohibited. Offenders will be held liable for the payment of damages. All rights reserved in the event of the grant of a patent, utility model or design. Refer to protection notice ISO 10176!



Title		Material		Digital signature	
Part created for	Part No.	Volume [mm ³]	Change No.	CDP environment	
Subcontract for	Designated date	Mass [kg]	CDP release	2D-structure model	83151000100 CPR 000 -
	Released date	General tolerances			
	Released date	Fasteners			
	Released date	Dimensions units			
ebmpapst ebm-papst St. Georgen GmbH & Co. KG					
Logo					