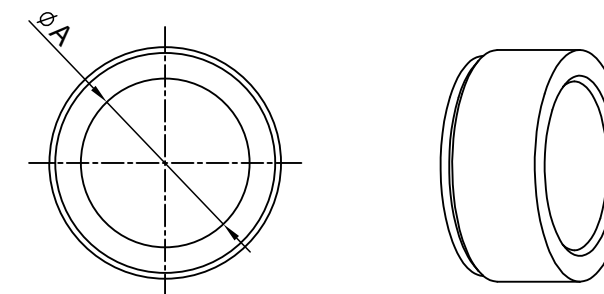
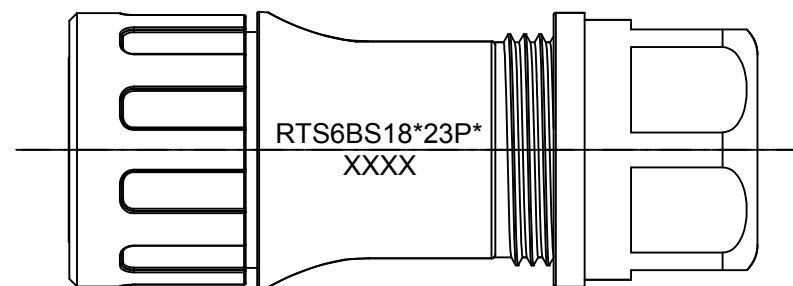
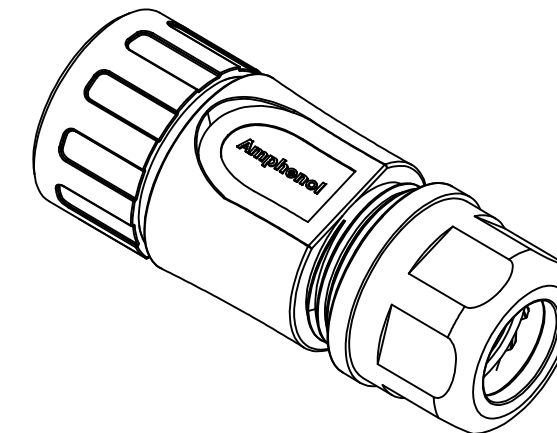
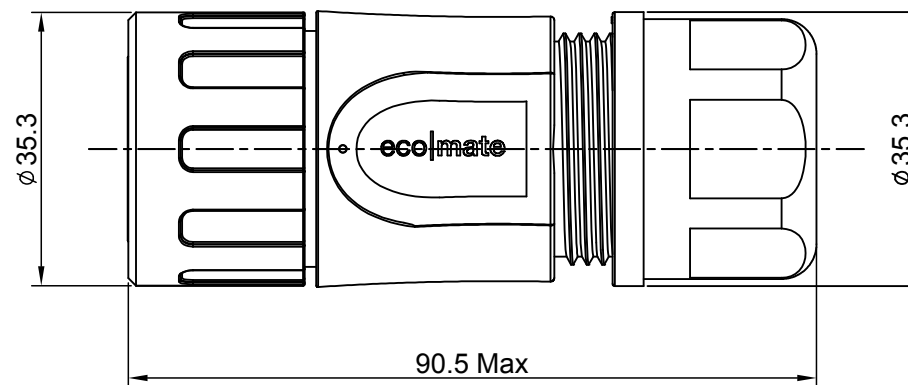
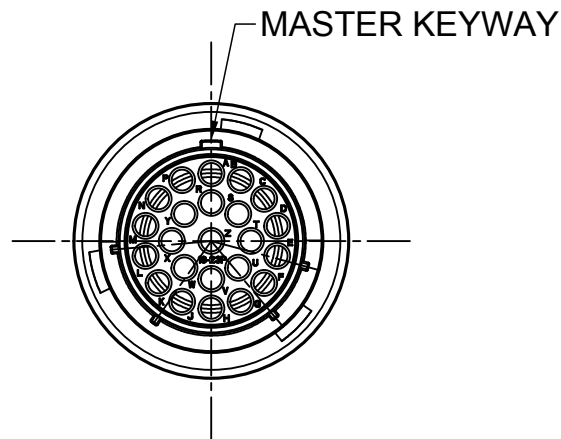


REVISIONS					
REV	ECO	DESCRIPTION	DATE	BY	APPR
A1	--	RELEASED DRAWING	Dec-26-2016	Ben	Tommy
A2	--	UPDATE NOTES	Jul-06-2017	Nick	Tommy



NOTES : (UNLESS OTHERWISE SPECIFIED)

- MATERIAL :
  - SHELL : THERMOPLASTIC , UL94 V-0.
  - INSERT : THERMOPLASTIC , UL94 V-0.
  - COUPLING NUT : THERMOPLASTIC , UL94 V-0.
  - O-RING : NBR/SILICONE RUBBER.
  - WASHER: SILICONE RUBBER.
  - BACK SHELL : THERMOPLASTIC , UL94 V-0.
  - CLAMP NUT : THERMOPLASTIC , UL94 V-0.
  - CLAMP RING : THERMOPLASTIC , UL94 V-0.
  - CABLE SEAL : EPDM.
- SPECIFICATIONS :
  - 2.1 RATED CURRENT : 13A (MAX) .
  - 2.2 RATED VOLTAGE : 500V(AC/DC).
  - 2.3 OPERATING TEMPERATURE : SEE TABLE .
  - 2.4 DIELECTRIC WITHSTANDING VOLTAGE : LESS THAN 2 MILLIAMPS CURRENT LEAKAGE@2000 VOLTS AC.
  - 2.5 INSULATION RESISTANCE : 5000 MEGOHMS MIN.
  - 2.6 IP--CLASS : IP67 AND IP69K.
  - 2.7 MATING CYCLES DURABILITY : 500 CYCLES MIN.
  - 2.8 RoHS COMPLIANT.
- SUITABLE CONTACTS : 16# CONTACT.
- ALL DIMENSIONS ARE FOR REFERENCE USE ONLY.

DIMENSION $\phi A$	CABLE OD RANGE
16.5 MM	7.0-16.0 MM
18.5 MM	9.0-18.0 MM

KEY	PART NUMBER	
	-40°C ~ +105°C	-40°C ~ +125°C
N	RTS6BS18N23P	RTS6BS18N23P03

QUANTITY	PART NUMBER	DESCRIPTION	ITEM										
<b>MATERIALS LIST</b>													
UNLESS OTHERWISE SPECIFIED 1) All dimensions are in metric(mm). 2) Tolerances are as follows: 1 PL DEC ±0.30   Fractions ±1/64 2 PL DEC ±0.15   Angles ±1° 3 PL DEC ±0.08		<table border="1"> <thead> <tr> <th>SIGNATURES</th> <th>DATE</th> </tr> </thead> <tbody> <tr> <td>DRAWN: Nick</td> <td>Jul-06-2017</td> </tr> <tr> <td>CHECKED: Tod</td> <td>Jul-06-2017</td> </tr> <tr> <td>ENGINEER:</td> <td></td> </tr> <tr> <td>APPROVAL: Tommy</td> <td>Jul-06-2017</td> </tr> </tbody> </table>		SIGNATURES	DATE	DRAWN: Nick	Jul-06-2017	CHECKED: Tod	Jul-06-2017	ENGINEER:		APPROVAL: Tommy	Jul-06-2017
SIGNATURES	DATE												
DRAWN: Nick	Jul-06-2017												
CHECKED: Tod	Jul-06-2017												
ENGINEER:													
APPROVAL: Tommy	Jul-06-2017												
MATERIAL SPECIFICATIONS:		<p style="text-align: center;"><b>Amphenol</b></p> <p>Sine Systems - www.amphenol-sine.com 44724 Morley Drive Clinton Township, MI 48036</p>											
PROCESS SPECIFICATIONS:		<p style="text-align: center;">ECO-MATE,PLUG,BACK SHELL, SIZE 18,23POS,PIN.</p>											
NEXT ASSY:		<table border="1"> <tr> <td>SIZE</td> <td>TYPE</td> <td>DWG NO:</td> <td>REVISION</td> </tr> <tr> <td>B</td> <td>C-</td> <td>RTS6BS18*23P*</td> <td>A2</td> </tr> </table>		SIZE	TYPE	DWG NO:	REVISION	B	C-	RTS6BS18*23P*	A2		
SIZE	TYPE	DWG NO:	REVISION										
B	C-	RTS6BS18*23P*	A2										
SCALE: NONE		SHEET 1 OF 1											

TITLE: ECO-MATE,PLUG,BACK SHELL,SIZE 18,23POS,PIN. DWG NO: RTS6BS18\*23P\* REV: A2 SH: 1 OF: 1