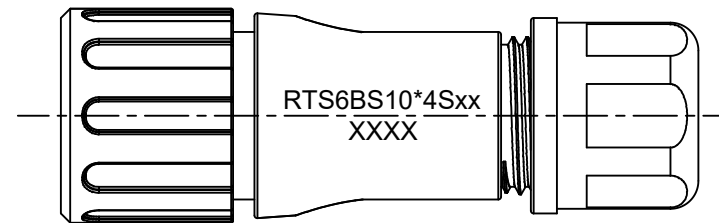
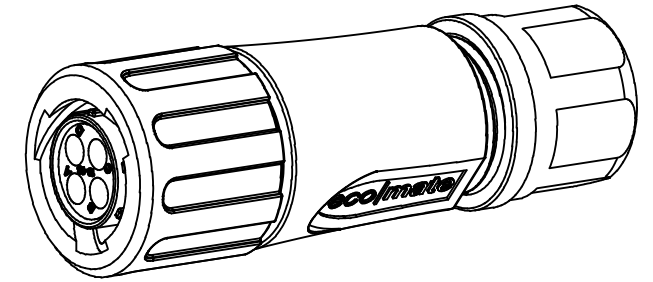
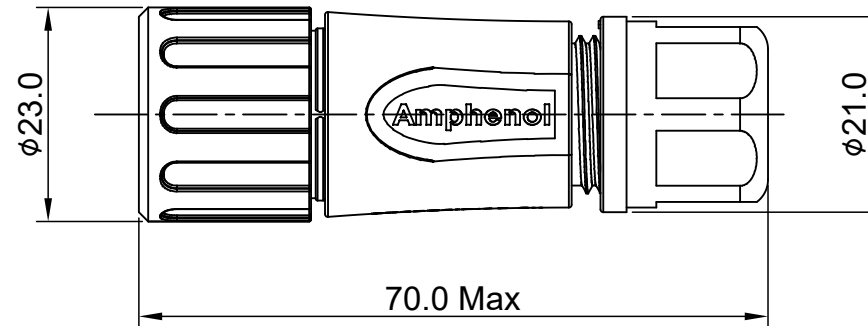
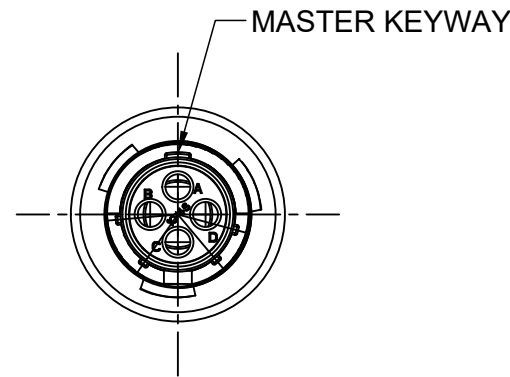


REVISIONS					
REV	ECO	DESCRIPTION	DATE	BY	APPR
A1	--	RELEASED DRAWING	Aug-10-2016	Ben	Tommy
A2	--	UPDATE NOTES	Jun-20-2017	Nick	Tommy
A3	--	UPDATE DRAWING	Mar-16-2018	White	Tommy



NOTES : (UNLESS OTHERWISE SPECIFIED)

- MATERIAL :
 SHELL : THERMOPLASTIC , UL94 V-0.
 INSERT : THERMOPLASTIC , UL94 V-0.
 COUPLING NUT : THERMOPLASTIC , UL94 V-0.
 O-RING : NBR/SILICONE RUBBER.
 WASHER : SILICONE RUBBER.
 BACK SHELL : THERMOPLASTIC , UL94 V-0.
 CLAMP NUT : THERMOPLASTIC , UL94 V-0.
 CLAMP RING : THERMOPLASTIC , UL94 V-0.
 CABLE SEAL : EPDM.
- SPECIFICATIONS :
 2.1 RATED CURRENT : 13A (MAX).
 2.2 RATED VOLTAGE : 500V(AC/DC).
 2.3 OPERATING TEMPERATURE : SEE TABLE .
 2.4 DIELECTRIC WITHSTANDING VOLTAGE : LESS THAN
 2 MILLIAMPS CURRENT LEAKAGE@2000 VOLTS AC.
 2.5 INSULATION RESISTANCE : 5000 MEGOHMS MIN.
 2.6 IP--CLASS : IP67 AND IP69K IN THE MATED CONDITION.
 2.7 MATING CYCLES DURABILITY : 500 CYCLES MIN.
 2.8 RoHS COMPLIANT.
- SUITABLE CONTACTS : 16# CONTACT.
- ALL DIMENSIONS ARE FOR REFERENCE USE ONLY.

DIMENSION ϕA	CABLE OD RANGE
7.0MM	4.0-6.5MM
8.8MM	5.0-8.8MM

KEY	PART NUMBER	
	-40°C ~ +105°C	-40°C ~ +125°C
N	RTS6BS10N4S	RTS6BS10N4S03

QUANTITY	PART NUMBER	DESCRIPTION	ITEM										
MATERIALS LIST													
UNLESS OTHERWISE SPECIFIED: 1) All dimensions are in metric(mm). 2) Tolerances are as follows: 1 PL DEC ± 0.30 Fractions $\pm 1/64$ 2 PL DEC ± 0.15 Angles $\pm 1^\circ$ 3 PL DEC ± 0.08 3) Note reference =		<table border="1"> <thead> <tr> <th>SIGNATURES</th> <th>DATE</th> </tr> </thead> <tbody> <tr> <td>DRAWN: White</td> <td>Mar-16-2018</td> </tr> <tr> <td>CHECKED: Tod</td> <td>Mar-16-2018</td> </tr> <tr> <td>ENGINEER:</td> <td></td> </tr> <tr> <td>APPROVAL: Tommy</td> <td>Mar-16-2018</td> </tr> </tbody> </table>		SIGNATURES	DATE	DRAWN: White	Mar-16-2018	CHECKED: Tod	Mar-16-2018	ENGINEER:		APPROVAL: Tommy	Mar-16-2018
SIGNATURES	DATE												
DRAWN: White	Mar-16-2018												
CHECKED: Tod	Mar-16-2018												
ENGINEER:													
APPROVAL: Tommy	Mar-16-2018												
MATERIAL SPECIFICATIONS:		<h1>Amphenol</h1> <p>Sine Systems - www.amphenol-sine.com 44724 Morley Drive Clinton Township, MI 48036</p>											
PROCESS SPECIFICATIONS:		<p>ECO-MATE, PLUG, BACK SHELL, SIZE 10,4POS, SOCKET.</p>											
NEXT ASSY:		<table border="1"> <thead> <tr> <th>SIZE</th> <th>TYPE</th> <th>DWG NO:</th> <th>REVISION</th> </tr> </thead> <tbody> <tr> <td>B</td> <td>C-</td> <td>RTS6BS10*4Sxx</td> <td>A3</td> </tr> </tbody> </table>		SIZE	TYPE	DWG NO:	REVISION	B	C-	RTS6BS10*4Sxx	A3		
SIZE	TYPE	DWG NO:	REVISION										
B	C-	RTS6BS10*4Sxx	A3										
SCALE: NONE		SHEET 1 OF 1											

TITLE: ECO-MATE, PLUG, BACK SHELL, SIZE 10,4POS, SOCKET.
 DWG NO: RTS6BS10*4Sxx
 REV: A3
 SH: 1
 OF: 1