



RAYCHEM

TE Internal #: 1719534002

Black, 2:1, Single Wall Tubing, Shrinks To 1 in [25.4 mm],  
 Crosslinked Fluoropolymer, 2 in [50.8 mm] Inner Diameter, Highly  
 Flame-Resistant, Piece

[View on TE.com >](#)

Heat Shrink Tubing > Single Wall RT 555: Heat Shrink Tubing, 2:1 Shrink Ratio



Primary Product Color: **Black**

Wall Type: **Single Wall**

Expanded Inside Diameter (Min): **50.8 mm [ 2 in ]**

Recovered Inside Diameter (Max): **25.4 mm [ 1 in ]**

Shrink Ratio: **2:1**

[All Single Wall RT 555: Heat Shrink Tubing, 2:1 Shrink Ratio \(12\)](#)

**Features**

**Product Type Features**

Wall Type	Single Wall
-----------	-------------

**Body Features**

Material Systems Code	300
Fluid Type	Aviation Fuel, Brake Fluid, Chemicals /Solvents, De-Icing Fluid, Diesel Fuel, Hydraulic Fluid, Lubricating Oil, Military Decontaminating Agents, Water
Primary Product Color	Black
Shrink Ratio	2:1
Primary Product Material	Crosslinked Fluoropolymer
Flexibility	Semi-Rigid

**Dimensions**

Recovered Wall Thickness (Nominal)	1.02 mm[.04 in]
Expanded Inside Diameter (Min)	50.8 mm[2 in]
Recovered Inside Diameter (Max)	25.4 mm[1 in]
Tubing Size Range	25.4 – 50.8 mm[1 – 2 in]

**Usage Conditions**

Shrink Temperature (Min)	220 °C
--------------------------	--------



Tubing Flammability Type	Highly Flame-Resistant
--------------------------	------------------------

Operating Temperature Range	-65 – 200 °C
-----------------------------	--------------

Recovery Temperature	220 °C
----------------------	--------

### Operation/Application

Mechanical Resistance	Fluids
-----------------------	--------

### Product Availability

Applicable Region	Worldwide
-------------------	-----------

### Packaging Features

Packaging Method	Piece
------------------	-------

### Other

Meets Low Outgassing Requirements	Yes
-----------------------------------	-----

Product Source	US
----------------	----

## Product Compliance

[For compliance documentation, visit the product page on TE.com>](#)

EU RoHS Directive 2011/65/EU	Compliant
------------------------------	-----------

EU ELV Directive 2000/53/EC	Compliant
-----------------------------	-----------

China RoHS 2 Directive MIIT Order No 32, 2016	No Restricted Materials Above Threshold
---	---

EU REACH Regulation (EC) No. 1907/2006	Current ECHA Candidate List: JUNE 2024 (241) Candidate List Declared Against: JAN 2024 (240) Does not contain REACH SVHC
--	--

Halogen Content	Low Bromine/Chlorine - Br and Cl < 900 ppm per homogenous material. Also BFR /CFR/PVC Free
-----------------	--

Solder Process Capability	Not applicable for solder process capability
---------------------------	--

#### Product Compliance Disclaimer

This information is provided based on reasonable inquiry of our suppliers and represents our current actual knowledge based on the information they provided. This information is subject to change. The part numbers that TE has identified as EU RoHS compliant have a maximum concentration of 0.1% by weight in homogenous materials for lead, hexavalent chromium, mercury, PBB, PBDE, DBP, BBP, DEHP, DIBP, and 0.01% for cadmium, or qualify for an exemption to these limits as defined in the Annexes of Directive 2011/65/EU (RoHS2). Finished electrical and electronic equipment products will be CE marked as required by Directive 2011/65/EU. Components may not be CE marked. Additionally, the part numbers that TE has identified as EU ELV compliant have a maximum concentration of 0.1% by weight in homogenous materials for lead, hexavalent chromium, and mercury, and 0.01% for cadmium, or qualify for an exemption to these limits as defined in the Annexes of Directive 2000/53/EC (ELV). Regarding the REACH Regulation, the information TE provides

on SVHC in articles for this part number is based on the latest European Chemicals Agency (ECHA) 'Guidance on requirements for substances in articles' posted at this URL: <https://echa.europa.eu/guidance-documents/guidance-on-reach>


## Customers Also Bought




TE Part #794617-6  
6POS, MICRO MNL, RCPT HSG



TE Part #324159  
TERM, RING, PIDG, 16-14, #4



TE Part #79004-14-19PN  
HERM RECP



TE Part #CR3935-000  
55PC1122-16-9/96-9CS3296



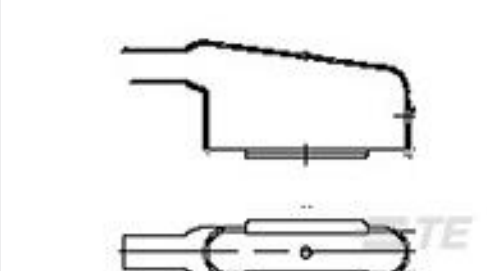
TE Part #CS8762-000  
55PC1122-12-9/96-9CS3296




TE Part #CS8764-000  
55PC1122-22-9/96-9CS3296



TE Part #CS8857-000  
55PC1132-22-MST3-9CS3296



TE Part #814697-000  
234A642-3-0



TE Part #Y78153-10-6SNV0030  
HERM RECP

## Documents

### Datasheets & Catalog Pages

[RT555 Pages from 9-1773447-9](#)

English

[1654025\\_Sec3\\_RT555](#)

English

[Harness Repair Products Quick Reference Guide](#)

English

### Product Specifications

[Product Specification](#)

English