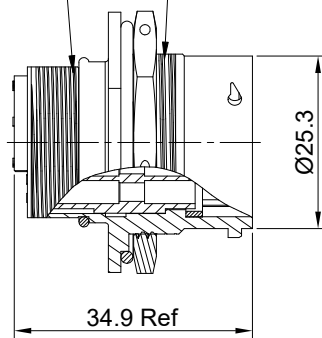
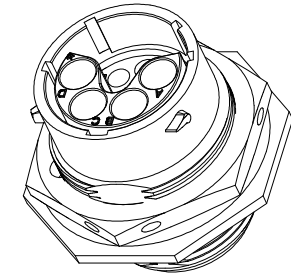
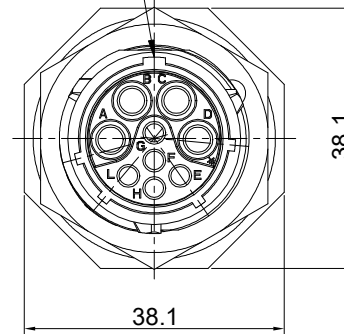


| REVISIONS |     |                      |             |      |       |
|-----------|-----|----------------------|-------------|------|-------|
| REV       | ECO | DESCRIPTION          | DATE        | BY   | APPR  |
| B1        | -   | RELEASED DRAWING     | JUN-27-2014 | BEN  | TOMMY |
| B2        | -   | UPDATE NOTES         | MAR-21-2018 | NICK | TOMMY |
| B3        | -   | UPDATE RATED VOLTAGE | OCT-28-2022 | JUN  | TOMMY |

15/16-20 UNEF THREAD      1" 1/8-18 UNEF THREAD

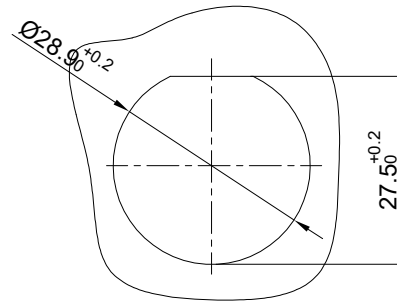


MASTER KEYWAY



NOTES: (UNLESS OTHERWISE SPECIFIED)

- MATERIAL:
  - SHELL: ZINC ALLOY, NICKEL PLATED.
  - INSERT: THERMOPLASTIC, UL94 V-0.
  - NUTS: AL ALLOY, NICKEL PLATED.
  - SEAL GASKET: NBR/SILICONE RUBBER.
  - O-RING: NBR/SILICONE RUBBER.
- SPECIFICATIONS:
  - RATED CURRENT:
    - SIGNAL : 16# CONTACT 13A (MAX).
    - POWER : 2.5mm CONTACT 23A (MAX).
  - RATED VOLTAGE: 500V (AC/DC) .
  - OPERATING TEMPERATURE: SEE TABLE.
  - DIELECTRIC WITHSTANDING VOLTAGE: LESS THAN 2 MILLIAMPS CURRENT LEAKAGE@2000 VOLTS AC.
  - INSULATION RESISTANCE: 5000 MEGOHMS MIN.
  - IP-CLASS: IP67.
  - MATING CYCLES DURABILITY: 500 CYCLES MIN.
  - RoHS COMPLIANT.
- SUITABLE CONTACTS : 2.5mm & 16# CONTACTS.
- ALL DIMENSIONS ARE FOR REFERENCE USE ONLY.



PANEL CUT OUT REFERENCE

| KEY POS | PART NUMBER   |               |
|---------|---------------|---------------|
|         | -40°C ~ 105°C | -40°C ~ 125°C |
| N       | RT071609PNH   | RT071609PNH03 |
| W       | RT071609PWH   | RT071609PWH03 |
| X       | RT071609PXH   | RT071609PXH03 |
| Y       | RT071609PYH   | RT071609PYH03 |
| Z       | RT071609PZH   | RT071609PZH03 |

| QUANTITY  | SEE PART NUMBER CHART | DESCRIPTION   | ITEM  |
|---|-----------------------|---|---|
| <b>MATERIALS LIST</b>   |                       |   |   |
| <b>UNLESS OTHERWISE SPECIFIED</b><br>1) All dimensions are in metric(mm).<br>2) Tolerances are as follows:<br>1 PL DEC ±0.30      Fractions ±1/64<br>2 PL DEC ±0.15      Angles ±1°<br>3 PL DEC ±0.08 |                       | <b>SIGNATURES      DATE</b><br>DRAWN: JUN      OCT-28-2022<br>CHECKED: ORION      NOV-3-2022<br>ENGINEER:<br>APPROVAL: TOMMY      NOV-7-2022<br>CUSTOMER:   |   |
| MATERIAL SPECIFICATIONS:  |                       | <div style="text-align: center;"> <h1>Amphenol</h1> <p>Sine Systems - www.amphenol-sine.com<br/>           44724 Morley Drive<br/>           Clinton Township, MI 48036</p> </div> <p style="text-align: center;">EcoMate Aquarius,RECEPTACLE,<br/>           JAM NUT,SIZE 16,9POS,PIN.</p> |   |
| PROCESS SPECIFICATIONS:   |                       |   |   |
| NEXT ASSY:  |                       | THIS DRAWING IS SUPPLIED FOR INFORMATION ONLY. DESIGN FEATURES, SPECIFICATIONS AND PERFORMANCE DATA SHOWN HEREON ARE THE PROPERTY OF THE AMPHENOL CORPORATION. NO RIGHTS OF REPRODUCTION ARE IMPLIED. ALL DIMENSIONS ARE SUBJECT TO NORMAL MANUFACTURING VARIATIONS.                        | SIZE: <b>B</b> TYPE: <b>C-</b> DWG NO: <b>RT071609P*H*</b> REVISION: <b>B3</b><br>SCALE: <b>NONE</b> SHEET <b>1</b> OF <b>1</b> |

TITLE: EcoMate Aquarius,RECEPTACLE, JAM NUT,SIZE 16,9POS,PIN.    DWG NO.: RT071609P\*H\*    REV: B3    SH: 1    OF: 1

## ecomate® RM/RSSM/Aquarius™ - Contact Size 16 Options

| Crimp Contacts, Machined |            |       |                               |            |
|--------------------------|------------|-------|-------------------------------|------------|
| Part Number              |            | AWG   | Wire Range (mm <sup>2</sup> ) | Plating    |
| Male                     | Female     |       |                               |            |
| MP14M23F                 | MS14M23F   | 14    | 2.0-2.5                       | Gold Flash |
| MP14M23G5                | MS14M23G5  | 14    | 2.0-2.5                       | Gold 5μ"   |
| MP14M23G10               | MS14M23G10 | 14    | 2.0-2.5                       | Gold 10μ"  |
| MP14M23G15               | MS14M23G15 | 14    | 2.0-2.5                       | Gold 15μ"  |
| MP14M23G30               | MS14M23G30 | 14    | 2.0-2.5                       | Gold 30μ"  |
| MP16M23F                 | MS16M23F   | 18-16 | 0.75-1.5                      | Gold Flash |
| MP16M23G5                | MS16M23G5  | 18-16 | 0.75-1.5                      | Gold 5μ"   |
| MP16M23G10               | MS16M23G10 | 18-16 | 0.75-1.5                      | Gold 10μ"  |
| MP16M23G15               | MS16M23G15 | 18-16 | 0.75-1.5                      | Gold 15μ"  |
| MP16M23G30               | MS16M23G30 | 18-16 | 0.75-1.5                      | Gold 30μ"  |
| MP20M23F                 | MS20M23F   | 22-20 | 0.34-0.50                     | Gold Flash |
| MP20M23G5                | MS20M23G5  | 22-20 | 0.34-0.50                     | Gold 5μ"   |
| MP20M23G10               | MS20M23G10 | 22-20 | 0.34-0.50                     | Gold 10μ"  |
| MP20M23G15               | MS20M23G15 | 22-20 | 0.34-0.50                     | Gold 15μ"  |
| MP20M23G30               | MS20M23G30 | 22-20 | 0.34-0.50                     | Gold 30μ"  |
| MP24M23F                 | MS24M23F   | 26-24 | 0.14-0.25                     | Gold Flash |
| MP24M23G5                | MS24M23G5  | 26-24 | 0.14-0.25                     | Gold 5μ"   |
| MP24M23G10               | MS24M23G10 | 26-24 | 0.14-0.25                     | Gold 10μ"  |
| MP24M23G15               | MS24M23G15 | 26-24 | 0.14-0.25                     | Gold 15μ"  |
| MP24M23G30               | MS24M23G30 | 26-24 | 0.14-.025                     | Gold 30μ"  |

| Tooling, Machined |  |
|-------------------|--|
| Part Number       | Description                                  |
| QXRT16            | Contact Extraction Tool, #16 (Ø 1.6) Contact |
| MFY-3959          | Hand Crimp Tool for Machined Contacts        |
| MFY-3960          | Pneumatic Crimp Tool for Machined Contact    |

| Plating Options, All |  |
|----------------------|--|
| Symbol               | Plating                                    |
| T                    | Tin Plated (for Stamped & Formed Contacts) |
| S                    | Silver Plated 5Um (for Machined Contacts)  |
| F                    | Gold Plated                                |
| G5                   | Gold Plated (Thickness 5μ")                |
| G10                  | Gold Plated (Thickness 10μ")               |
| G15                  | Gold Plated (Thickness 15μ")               |
| G30                  | Gold Plated (Thickness 30μ")               |

| Crimp Contacts, Stamped & Formed |           |       |                               |            |
|----------------------------------|-----------|-------|-------------------------------|------------|
| Part Number                      |           | AWG   | Wire Range (mm <sup>2</sup> ) | Plating    |
| Male                             | Female    |       |                               |            |
| SP14M2F                          | SS14M2F   | 14    | 2.0-2.5                       | Gold Flash |
| SP14M2G5                         | SS14M2G5  | 14    | 2.0-2.5                       | Gold 5μ"   |
| SP14M2G10                        | SS14M2G10 | 14    | 2.0-2.5                       | Gold 10μ"  |
| SP14M2G15                        | SS14M2G15 | 14    | 2.0-2.5                       | Gold 15μ"  |
| SP14M2G30                        | SS14M2G30 | 14    | 2.0-2.5                       | Gold 30μ"  |
| SP16M2F                          | SS16M2F   | 18-16 | 0.75-1.5                      | Gold Flash |
| SP16M2G5                         | SS16M2G5  | 18-16 | 0.75-1.5                      | Gold 5μ"   |
| SP16M2G10                        | SS16M2G10 | 18-16 | 0.75-1.5                      | Gold 10μ"  |
| SP16M2G15                        | SS16M2G15 | 18-16 | 0.75-1.5                      | Gold 15μ"  |
| SP16M2G30                        | SS16M2G30 | 18-16 | 0.75-1.5                      | Gold 30μ"  |
| SP20M2F                          | SS20M2F   | 22-20 | 0.34-0.50                     | Gold Flash |
| SP20M2G5                         | SS20M2G5  | 22-20 | 0.34-0.50                     | Gold 5μ"   |
| SP20M2G10                        | SS20M2G10 | 22-20 | 0.34-0.50                     | Gold 10μ"  |
| SP20M2G15                        | SS20M2G15 | 22-20 | 0.34-0.50                     | Gold 15μ"  |
| SP20M2G30                        | SS20M2G30 | 22-20 | 0.34-0.50                     | Gold 30μ"  |
| SP24M2F                          | SS24M2F   | 26-24 | 0.14-0.25                     | Gold Flash |
| SP24M2G5                         | SS24M2G5  | 26-24 | 0.14-0.25                     | Gold 5μ"   |
| SP24M2G10                        | SS24M2G10 | 26-24 | 0.14-0.25                     | Gold 10μ"  |
| SP24M2G15                        | SS24M2G15 | 26-24 | 0.14-0.25                     | Gold 15μ"  |
| SP24M2G30                        | SS24M2G30 | 26-24 | 0.14-0.25                     | Gold 30μ"  |

| Tooling, Stamped & Formed |  |
|---------------------------|--|
| Part Number               | Description  |
| QXRT16                    | Contact Extraction Tool, #16 (Ø 1.6) Contact           |
| MFY-3954                  | Hand Tool, Stamped & Formed Contact, Size 16, 20-14AWG |
| MFY-3957                  | Crimp Die, Stamped & Formed Contact                    |

| Misc Tooling, All |                            |
|-------------------|----------------------------|
| Part Number       | Description                |
| CA-4020-59        | Sealing Plug, Size 16 & 20 |

| Standard Quantity Order Options |                   |
|---------------------------------|-------------------|
| Machined                        | Stamped & Formed  |
| Bulk Package, 500 Pieces        | Reel, 3000 Pieces |

## ecomate® RM/RSSM/Aquarius™ - Contact Size 12 Options

| Crimp Contacts, Machined |        |     |                               |         |
|--------------------------|--------|-----|-------------------------------|---------|
| Part Number              |        | AWG | Wire Range (mm <sup>2</sup> ) | Plating |
| Male                     | Female |     |                               |         |
| N/A                      |        |     |                               |         |

| Tooling, Machined |             |
|-------------------|-------------|
| Part Number       | Description |
| N/A               | N/A         |
| N/A               | N/A         |

| Plating Options, All |         |
|----------------------|---------|
| Symbol               | Plating |
| N/A                  | N/A     |

| Crimp Contacts, Stamped & Formed |         |       |                               |         |
|----------------------------------|---------|-------|-------------------------------|---------|
| Part Number                      |         | AWG   | Wire Range (mm <sup>2</sup> ) | Plating |
| Male                             | Female  |       |                               |         |
| SP12A1T                          | SS12A1T | 14-12 | 2.5-3.5                       | Tin     |

| Tooling, Stamped & Formed |  |
|---------------------------|--|
| Part Number               | Description  |
| QXRT12S                   | Contact Extraction Tool, 2.5mm Contact             |
| MFx-3962                  | Hand Tool, Stamped & Formed Contact, 2.5mm Contact |

| Misc Tooling, All |                       |
|-------------------|-----------------------|
| Part Number       | Description           |
| CA-4012-59        | Sealing Plug, Size 12 |

| Standard Quantity Order Options |                   |
|---------------------------------|-------------------|
| Machined                        | Stamped & Formed  |
| N/A                             | Reel, 1000 Pieces |