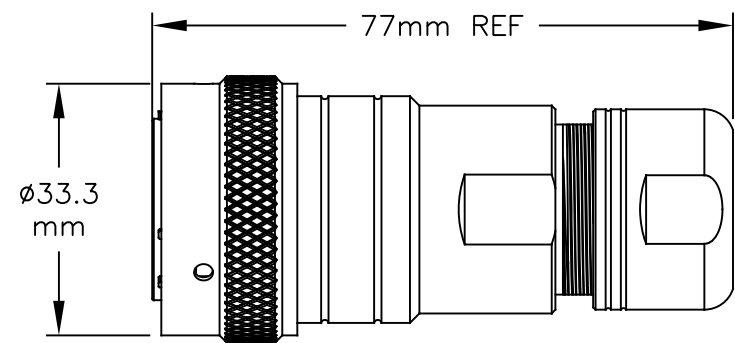
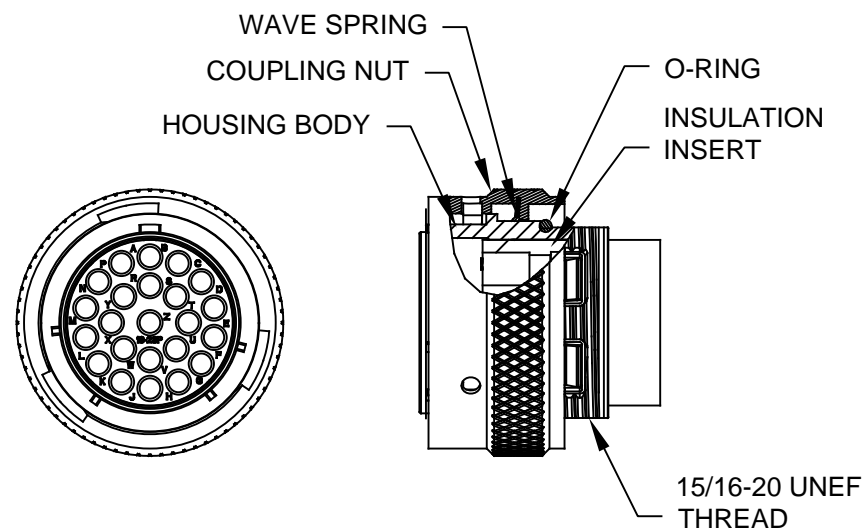


| REVISIONS |     |                        |      |    |      |
|-----------|-----|------------------------|------|----|------|
| REV       | ECO | DESCRIPTION            | DATE | BY | APPR |
| 01        | -   | RELEASE NEW DWG FORMAT | -    | -  | -    |



ASSEMBLED VIEW



NOTES:

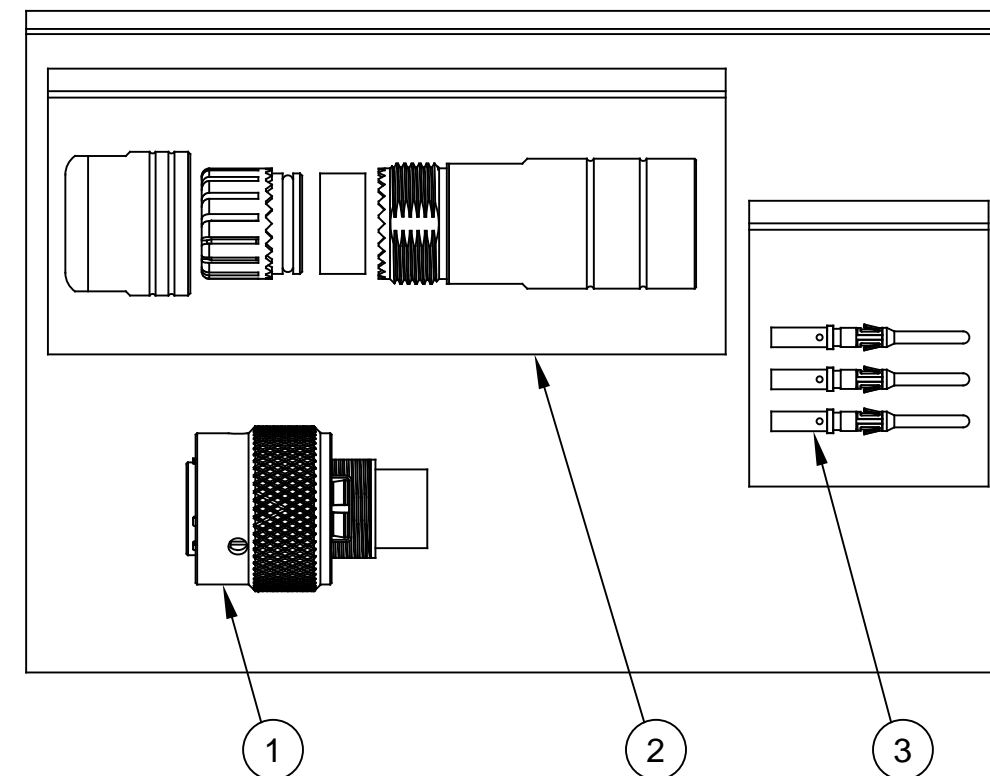
- 1) CORD GRIP RANGE: 10mm TO 14mm
- 2) CONTACT BARREL RANGE: 16AWG TO 18AWG
- 3) RECOMMENDED CRIMP TOOLS:  
 HAND CRIMPER: MFX-3959  
 PNEUMATIC CRIMPER: MFX-3960
- 4) EXTRACTION TOOL: QXRT16
- 5) MATERIALS:  
 HOUSING BODY: ZINC DIE CAST, NICKEL PLATED  
 COUPLING NUT: ALUMINUM ALLOY, NICKEL PLATED  
 WAVE SPRING: STAINLESS STEEL  
 INSULATION INSERT: PA66, UL94/V-0  
 CONTACT: BRASS, GOLD FLASH PLATED  
 SEAL AND O-RING:  
 CONNECTOR: SILICONE  
 CORD GRIP: NBR (NITRILE BUTADIENE RUBBER)
- 6) ELECTRICAL DATA:  
 a) CURRENT (MAX): 13A  
 b) VOLTAGE (MAX): 250VAC  
 c) INSULATION RESISTANCE (MIN): 5000M OHMS  
 d) TEST VOLTAGE (BETWEEN CONTACTS): 3050V

7) TECHNICAL DATA:

- a) TEMPERATURE RANGE: -40°C TO 105°C
- b) PROTECTION: IP67 (MATED CONDITION)
- c) MATING CYCLES: >500
- d) VIBRATION RESISTANCE PER MIL-STD-202 METHOD 204
- e) THERMAL SHOCK PER MIL-STD-202 METHOD 207
- f) 48 HOUR SALT SPRAY PER MIL-STD-202 METHOD 101

8) RoHS COMPLIANT

ILLUSTRATION: COMPLETE KIT



| QUANTITY | PART NUMBER     | DESCRIPTION           | ITEM |
|----------|-----------------|-----------------------|------|
| 23       | MP16M23F        | CONTACT, PIN, SIZE 16 | 3    |
| 1        | RT0L-18CG-NS1   | CORD GRIP             | 2    |
| 1        | RT061823PNH03SS | CONNECTOR             | 1    |

MATERIALS LIST

|   |  |  |      |                   |   |   |
|---|--|--|------|-------------------|---|---|
| UNLESS OTHERWISE SPECIFIED  |  | SIGNATURES   |      | DATE              | <h1 style="text-align: center;">Amphenol</h1> <p style="text-align: center;">Sine Systems - www.amphenol-sine.com<br/>         44724 Morley Drive<br/>         Clinton Township, MI 48036</p> |   |
| 1) All dimensions are in metric(mm).  |  | DRAWN:   | MRF  | 21AUG18           |   |   |
| 2) Tolerances are as follows:<br>1 PL DEC ±0.30<br>2 PL DEC ±0.15<br>3 PL DEC ±0.08 |  | CHECKED:   |      |                   |   |   |
| Fractions ±1/64<br>Angles ±1°   |  | ENGINEER:  |      |                   |   |   |
| 3) Note reference =   |  | APPROVAL:  |      |                   | <p style="text-align: center;">KIT, ECO-MATE RM</p>   |   |
| MATERIAL SPECIFICATIONS:  |  | CUSTOMER:  |      |                   |   |   |
| PROCESS SPECIFICATIONS:   |  | THIS DRAWING IS SUPPLIED FOR INFORMATION ONLY. DESIGN FEATURES, SPECIFICATIONS AND PERFORMANCE DATA SHOWN HEREON ARE THE PROPERTY OF THE AMPHENOL CORPORATION. NO RIGHTS OF REPRODUCTION ARE IMPLIED. ALL DIMENSIONS ARE SUBJECT TO NORMAL MANUFACTURING VARIATIONS. |      |                   |   |   |
| NEXT ASSY:  |  | SCALE:   | B C- | DWG NO:           | REVISION  |   |
|   |  | NONE   |      | RT061823PNH03SS-K | 01  |   |
|   |  | SHEET  |      | 1                 | OF  | 1 |

TITLE:

KIT, ECO-MATE RM

DWG NO:

REV: 01

SH: 1

DF: 1