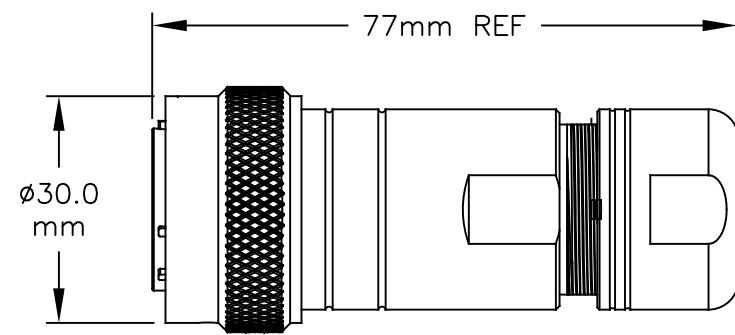
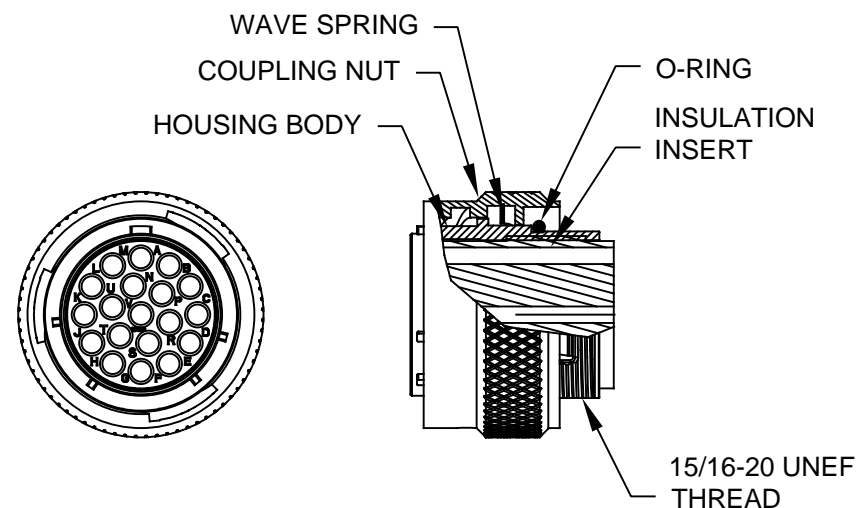


REVISIONS					
REV	ECO	DESCRIPTION	DATE	BY	APPR
01	-	RELEASE NEW DWG FORMAT	-	-	-



ASSEMBLED VIEW



NOTES:

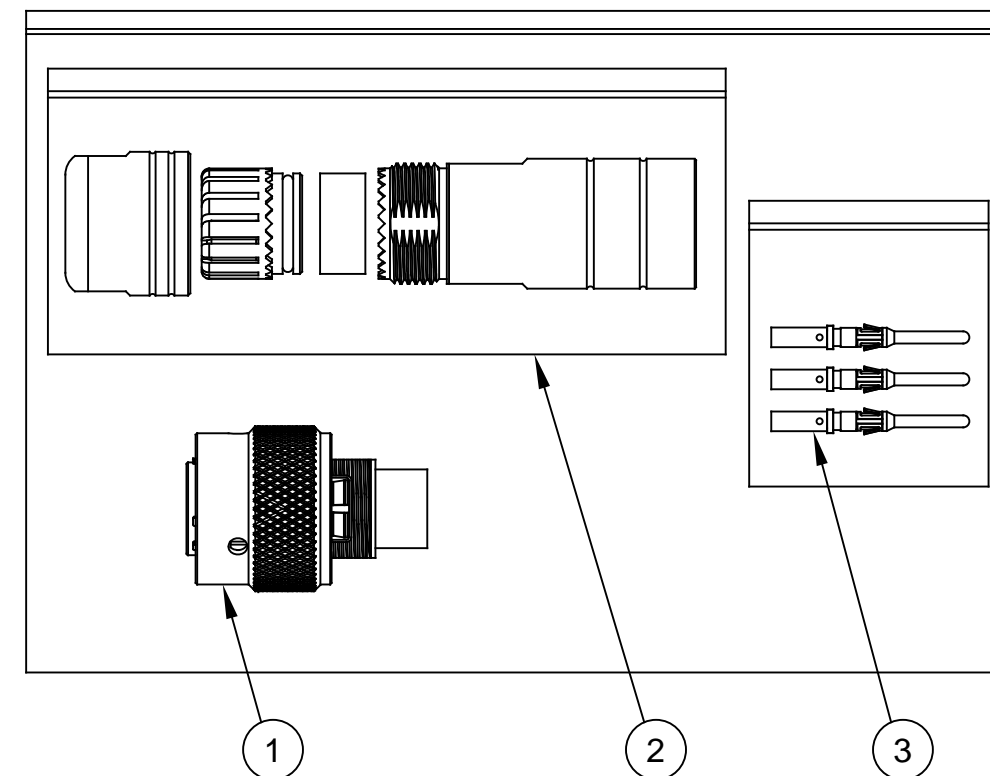
- 1) CORD GRIP RANGE: 10mm TO 14mm
- 2) CONTACT BARREL RANGE: 16AWG TO 18AWG
- 3) RECOMMENDED CRIMP TOOLS:
 HAND CRIMPER: MFX-3959
 PNEUMATIC CRIMPER: MFX-3960
- 4) EXTRACTION TOOL: QXRT16
- 5) MATERIALS:
 HOUSING BODY: ZINC DIE CAST, NICKEL PLATED
 COUPLING NUT: ALUMINUM ALLOY, NICKEL PLATED
 WAVE SPRING: STAINLESS STEEL
 INSULATION INSERT: PA66, UL94/V-0
 CONTACT: BRASS, GOLD FLASH PLATED
 SEAL AND O-RING:
 CONNECTOR: SILICONE
 CORD GRIP: NBR (NITRILE BUTADIENE RUBBER)
- 6) ELECTRICAL DATA:
 a) CURRENT (MAX): 13A
 b) VOLTAGE (MAX): 250VAC
 c) INSULATION RESISTANCE (MIN): 5000M OHMS
 d) TEST VOLTAGE (BETWEEN CONTACTS): 3050V

7) TECHNICAL DATA:

- a) TEMPERATURE RANGE: -40°C TO 105°C
- b) PROTECTION: IP67 (MATED CONDITION)
- c) MATING CYCLES: >500
- d) VIBRATION RESISTANCE PER MIL-STD-202 METHOD 204
- e) THERMAL SHOCK PER MIL-STD-202 METHOD 207
- f) 48 HOUR SALT SPRAY PER MIL-STD-202 METHOD 101

8) RoHS COMPLIANT

ILLUSTRATION: COMPLETE KIT



QUANTITY	PART NUMBER	DESCRIPTION	ITEM
19	MP16M23F	CONTACT, PIN, SIZE 16	3
1	RT0L-16CG-NS1	CORD GRIP	2
1	RT061619PNH03SS	CONNECTOR	1

MATERIALS LIST

UNLESS OTHERWISE SPECIFIED		SIGNATURES		DATE		<h1 style="text-align: center;">Amphenol</h1> <p style="text-align: center;">Sine Systems - www.amphenol-sine.com 44724 Morley Drive Clinton Township, MI 48036</p> <p style="text-align: center; font-weight: bold;">KIT, ECO-MATE RM</p>			
1) All dimensions are in metric(mm).		DRAWN: MRF		21AUG18					
2) Tolerances are as follows:		CHECKED:							
1 PL DEC ±0.30 2 PL DEC ±0.15 3 PL DEC ±0.08		ENGINEER:							
3) Note reference =		APPROVAL:				CUSTOMER:			
MATERIAL SPECIFICATIONS:		THIS DRAWING IS SUPPLIED FOR INFORMATION ONLY. DESIGN FEATURES, SPECIFICATIONS AND PERFORMANCE DATA SHOWN HEREON ARE THE PROPERTY OF THE AMPHENOL CORPORATION. NO RIGHTS OF REPRODUCTION ARE IMPLIED. ALL DIMENSIONS ARE SUBJECT TO NORMAL MANUFACTURING VARIATIONS.				SCALE: B C-			
PROCESS SPECIFICATIONS:		DWG NO:		REVISION		RT061619PNH03SS-K 01			
NEXT ASSY:		SCALE: NONE		SHEET 1 OF 1					

TITLE:

KIT, ECO-MATE RM

DWG NO:

REV: 01

SH: 1

DF: 1