

RT-3-NO.2-0-COIL ✓ ACTIVE

RAYCHEM | RAYCHEM RT-3

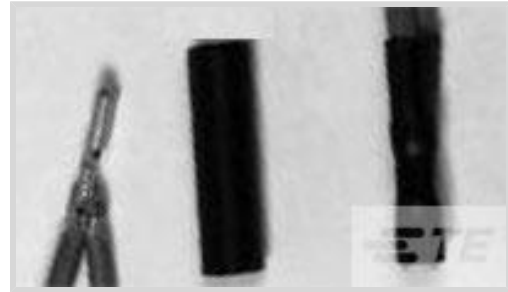
TE Internal #: 278414-000

Black, 2.5:1, Single Wall Tubing, Shrinks To .125 in [3.18 mm],
Irradiated Modified Polyolefin, .32 in [8.13 mm] Inner Diameter,
RAYCHEM RT-3

[View on TE.com >](#)



Heat Shrink Tubing > RT-3 Heat Shrink Tubing



Primary Product Color: **Black**

Wall Type: **Single Wall**

Expanded Inside Diameter (Min): **8.13 mm [.32 in]**

Recovered Inside Diameter (Max): **3.18 mm [.125 in]**

Shrink Ratio: **2.5:1**

[All RT-3 Heat Shrink Tubing \(24\)](#)

Features

Product Type Features

Wall Type	Single Wall
-----------	-------------

Electrical Characteristics

Operating Voltage (Max)	.6 kV
-------------------------	-------

Body Features

Fluid Type	Aviation Fuel, Chemicals/Solvents, Water
Primary Product Color	Black
Shrink Ratio	2.5:1
Primary Product Material	Irradiated Modified Polyolefin
Flexibility	Semi-Rigid

Dimensions

Recovered Wall Thickness (Tolerance)	.79 mm[.031 in]
Expanded Inside Diameter (Min)	8.13 mm[.32 in]
Recovered Inside Diameter (Max)	3.18 mm[.125 in]

Usage Conditions

Shrink Temperature (Min)	110 °C
Tubing Flammability Type	Flame-Retardant



Operating Temperature Range	-55 – 135 °C
-----------------------------	--------------

Recovery Temperature	135 °C
----------------------	--------

Operation/Application

Mechanical Resistance	Abrasion, Fluids, Mechanical Damage, Strain Relief
-----------------------	--

Product Availability

Applicable Region	Americas, Asia
-------------------	----------------

Packaging Features

Packaging Method	Coil
------------------	------

Other

Meets Low Outgassing Requirements	No
-----------------------------------	----

Product Source	US
----------------	----

Product Compliance

[For compliance documentation, visit the product page on TE.com>](#)

EU RoHS Directive 2011/65/EU	Compliant
------------------------------	-----------

EU ELV Directive 2000/53/EC	Compliant
-----------------------------	-----------

China RoHS 2 Directive MIIT Order No 32, 2016	No Restricted Materials Above Threshold
---	---

EU REACH Regulation (EC) No. 1907/2006	Current ECHA Candidate List: JUNE 2023 (235) Candidate List Declared Against: JUNE 2023 (235) Does not contain REACH SVHC
--	---

Halogen Content	Not Low Halogen - contains Br or Cl > 900 ppm.
-----------------	--

Solder Process Capability	Not applicable for solder process capability
---------------------------	--

Product Compliance Disclaimer

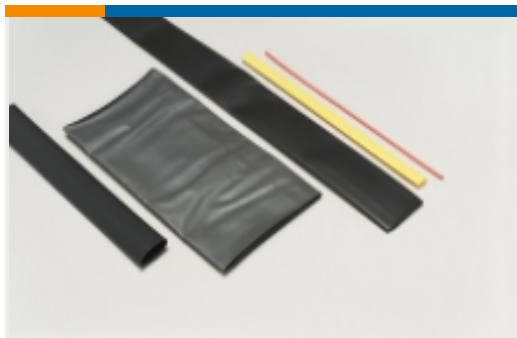
This information is provided based on reasonable inquiry of our suppliers and represents our current actual knowledge based on the information they provided. This information is subject to change. The part numbers that TE has identified as EU RoHS compliant have a maximum concentration of 0.1% by weight in homogenous materials for lead, hexavalent chromium, mercury, PBB, PBDE, DBP, BBP, DEHP, DIBP, and 0.01% for cadmium, or qualify for an exemption to these limits as defined in the Annexes of Directive 2011/65/EU (RoHS2). Finished electrical and electronic equipment products will be CE marked as required by Directive 2011/65/EU. Components may not be CE marked. Additionally, the part numbers that TE has identified as EU ELV compliant have a maximum concentration of 0.1% by weight in homogenous materials for lead, hexavalent chromium, and mercury, and 0.01% for cadmium, or qualify for an exemption to these limits as defined in the Annexes of Directive 2000/53/EC (ELV). Regarding the REACH Regulation, the information TE provides on SVHC in articles for this part number is based on the latest European Chemicals Agency (ECHA) 'Guidance on requirements for substances in articles' posted at this URL: <https://echa.europa.eu/guidance-documents/guidance-on-reach>

Compatible Parts



TE Part # EG1114-000
CV1981-ST-230V1600W-EU

Also in the Series | RAYCHEM RT-3



Heat Shrink Tubing(24)

Customers Also Bought



TE Part #794115-8
08P SL156 HSG W/LR,W/O#2



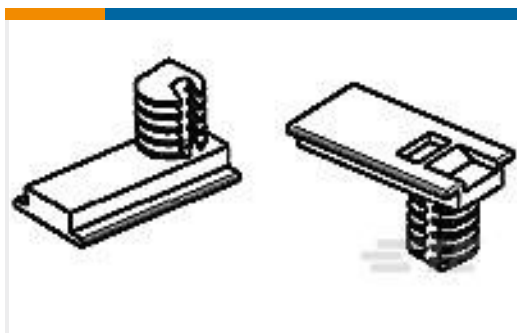
TE Part #42510-2
250 FASTON REC 22-18 AWG TPBR



TE Part #41449
250 FASTON REC 14-10 AWG BR



TE Part #2-34161-3
TERMINAL,PG R 16-14 10



TE Part #626897-1
CHRISTMAS TREE



TE Part #DT06-12SC-B016
PLG, 12P, GRN, N, ENH KEY, C



TE Part #936421-2
HYBRID 42P PLUG ASSY BLK



TE Part #EK5493-000
ES2000-NO.8-A1-0-2IN

Documents

[Product Drawings](#)

[RT-3-NO.2-0-COIL](#)

English

[Datasheets & Catalog Pages](#)



[RT-3 Pages from 9-1773447-9](#)

English

[Semirigid, Flame-Retardant Polyolefin Heat-Shrinkable Tubing](#)

English

[Product Specifications](#)

[Quality Specification](#)

English