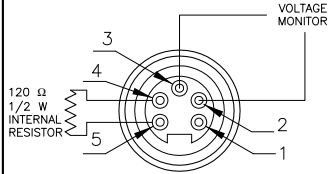


MALE END VIEW

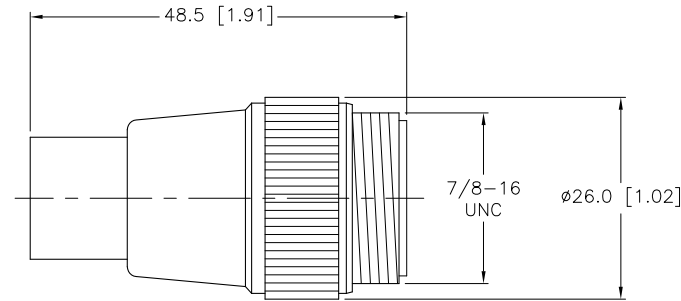


- 1 = BARE (SHIELD)
- 2 = RED (+ VOLTAGE)
- 3 = BLACK (- VOLTAGE)
- 4 = WHITE (CAN_H)
- 5 = BLUE (CAN_L)



SPECIFICATIONS

MOLDED BODY MATERIAL\COLOR	TPU\CLEAR
CONTACT CARRIER MATERIAL\COLOR	TPU\BLUE-GRAY
CONTACT MATERIAL\PLATING	BRASS/GOLD
COUPLING NUT MATERIAL\PLATING	BRASS/NICKEL
RATED VOLTAGE [V]	24 V (7.6 VDC MAX. ON PINS WITH RESISTOR)
INTERNAL TERMINATING RESISTOR	120Ω, 1/2 W
VOLTAGE MONITORING (BUS POWER)	GREEN: CORRECT POLARITY RED: REVERSED POLARITY
TEMPERATURE RATING	-40°C to +80°C (-40°F to +170°F)
PROTECTION CLASS	MEETS NEMA 1,3,4,6P AND IEC IP67



SOURCE DRAWING - FOR REFERENCE ONLY

RELATED DOCUMENTS 1. 2. 3. 4.	3RD ANGLE PROJECTION 	THIS DRAWING IS PROPERTY OF TURCK INC. USE OF THIS DOCUMENT WITHOUT WRITTEN PERMISSION IS PROHIBITED.		3000 CAMPUS DRIVE MINNEAPOLIS, MN 55441 1-800-544-7769 (763) 553-7300 (763) 553-0708 fax turck.com	
	MATERIAL	DRFT DF	DATE 07/23/02	DESCRIPTION RSM 57-TR2/VM	
FINISH	ALL DIMENSIONS DISPLAYED ON THIS DRAWING ARE FOR REFERENCE ONLY	DSGN DF	SCALE 1=1.0	IDENTIFICATION NO. U0102-101	
C	DRAWING PROCESSED AS PART OF ECO 33971	BY CBM	DATE 04/07/11	ECO NO. 33971	REV C
REV	DESCRIPTION	BY	DATE	ECO NO.	FILE: U0102-101
				UNIT OF MEASUREMENT MILLIMETER [INCH]	REV C
				DO NOT SCALE THIS DRAWING	SHEET 1 OF 1