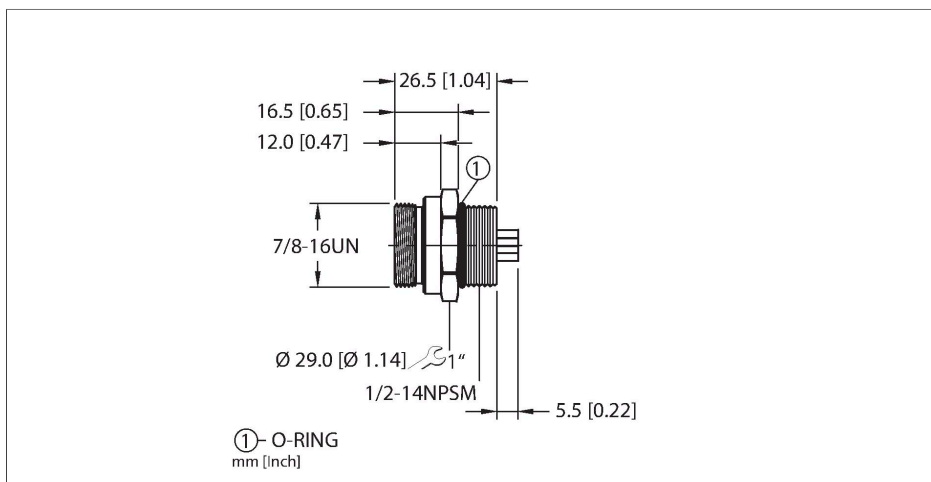


# RSFL 56

## Actuator and Sensor Receptacle – Front Mount



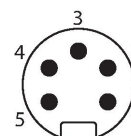
### Features



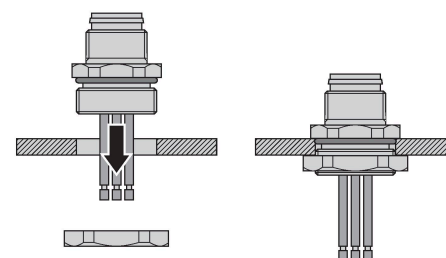
- Female 7/8" minifast Receptacle, 5 pin
- Mounting thread: 1/2"-14 NPSM
- Solder connection

### Contact assignment

Connector A



### Front panel mounting



### Technical data

Type	RSFL 56
ID	U5229-12
Connector A	Male, 7/8"-16 UN
Number of contacts	5
Contacts	Brass, CuZn, Gold-plated
Contact carriers	Plastic, TPU, Black
Housing material/finish	Brass, CuZn, Nickel-plated
Tightening torque (range)	0.8 ... 2 Nm (note max. torque of mating connector!)
Mounting orientation	Front mount
Panel seal	O-ring, plastic, NBR
Mounting thread	1/2"-14 NPSM
Receptacle mounting torque	6.8...27.1 Nm
Connection mode	Solder contact
Mechanical life	> 100 Mating cycles
Pollution degree	3
Protection class (When coupled)	IP67
	NEMA: 1, 3, 4, 6P
Total number of conductors	5
Conductor size	16 AWG [Similar to 1.50 mm <sup>2</sup> ]
<b>Electrical properties at +20 °C</b>	
Rated voltage	600 V
Current	9 A

## Technical data

### Mechanical and chemical properties

Ambient temperature range (static) -40 °C...+80 °C

Approvals  
RoHS  
UL 2238

### Note

- We reserve the right to make technical alterations without prior notice.