

Compact Internal Mount - RSF40 Series

crydom™

This RSF40 series is designed as a compact internally mounted device, with a wide range of options, making this ideal for size sensitive applications. Mounting of this series requires access to the inside of the tank.

Typical applications include vending machines, commercial washing machines and evaporator units.

They are manufactured in a variety of materials, with a choice of gasket materials, to suit most commonly used liquids.

The switch action may be reversed by rotating the device through 180°.

Some of these types are also available with ½" BSF thread.

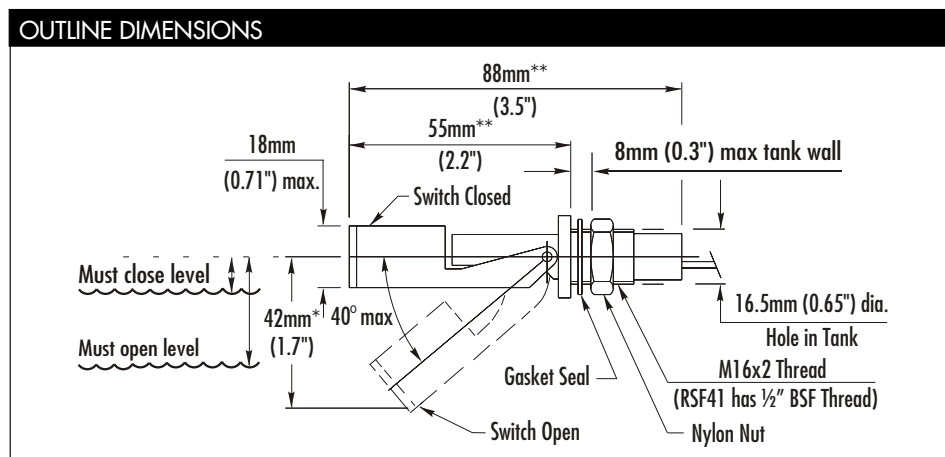
TECHNICAL SPECIFICATIONS	RSF41	RSF43	RSF44	RSF46
Material	Acetal	Nylon	Polypropylene	Polyphenylene Sulphide (PPS)
Colour	Red	Black	Opaque	Grey
Temp. Range °C	-10 / +60	-20 / +75	-20 / +100	-10 / +120*
°F	+14 / +140	-4 / +167	-4 / +212	+14 / +248*
Min. Fluid S.G.	0.875	0.85	0.85	0.85
Must Close Level (S.G.=1)	5mm	7mm	8mm	9mm
Must Open Level (S.G.=1)	18mm	20mm	20mm	24mm

*Maximum temperature requires ETFE cable to be specified.

ELECTRICAL SPECIFICATIONS	
Contact Form	N/O (N/C)
VA Rating Max.	25
Switching Voltage AC Max.	240
Switching Voltage DC Max.	120
Switching Current Max. A	0.6

All ratings are for resistive load only

Crydom no.	Material	Leadouts	Gaskets
RSF43Y100RF	Nylon	1.0m PVC 16/0.2 UL approved	Nitrile
RSF44Y100RF	Polypropylene	1.0m PVC 16/0.2 UL approved	Nitrile
RSF46Y050TG	PPS	50cms ETFE 19/0.2	Viton



* 49mm RSF46

** Add 10mm to dims, RSF46



- Compact design
- Reliable Reed switch contacts
- Available in Nylon, Acetal, Polypropylene or PPS
- WRAS approval
- Many variants are UL recognised components File Number E171218

Crydom Magnetics Ltd
 7 Cobham Road
 Ferndown Industrial Estate
 Wimborne
 Dorset BH21 7PE
 Tel: +44 (0) 1202 897969
 Fax: +44 (0) 1202 891918
 magnetics@crydom.com
 www.crydom.co.uk