

RSxA Series – Solid State Contactor

DIN Rail or Panel Mounted, Single Phase



CONTINENTAL INDUSTRIES INTERNATIONAL

- 50, 75 or 100 amp rating, 660V max
- Integrated heatsink
- Mounts on DIN rail or panel
- L.E.D. input and fault and fuse indicators
- Built-in snubber
- Direct copper bonded SCRs



SPECIFICATIONS:

Load type:	Resistive
Inputs:	
DC Input	ON < 4-28Vdc, 12mA max. OFF > 1Vdc
AC Input	ON ≥ 100-280Vac, 18mA max; OFF ≤ 20Vac or <2mA, 10kΩ impedance
Current ratings:	50A, 75A and 100A
Voltage ratings:	24 - 660V max.
Operating temperature:	0°C to 40°C (up to 80°C with derating)
Peak blocking voltage:	1200V
Isurge:	600 Apeak, 1 cycle non-repetitive
Isurge:	200 Apeak, 1 second non-repetitive
Leakage @ Vout:	8mA max
Holding current:	50A-50mA, 75A-100mA, 100A-100mA
Voltage Drop:	1.3Vac
Turn on/off(max):	1/2Hz
I²t rating (A² sec):	50A-7,200, 75A-15,000, 100A-20,000
Dv/Dt:	500V/μs
Frequency:	47-63Hz
Ambient:	40°Cmax, up to 80°C with derating

ORDERING CODES:

Model	Rating	Options

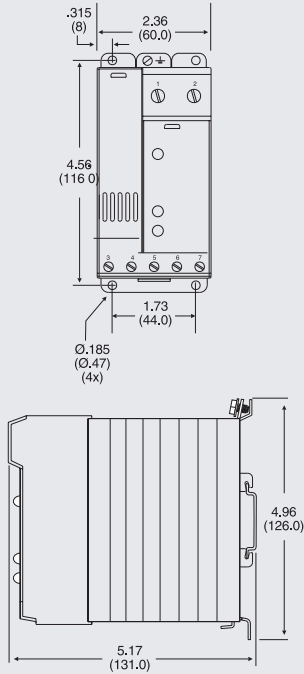
Model	
RSDA	4-28 Vdc input AC output
RSA A	100-280 Vac input, AC output

Rating	
660-50	50 amps, 660 volts max
660-75	75 amps, 660 volts max
660100	100 amps, 660 volts max

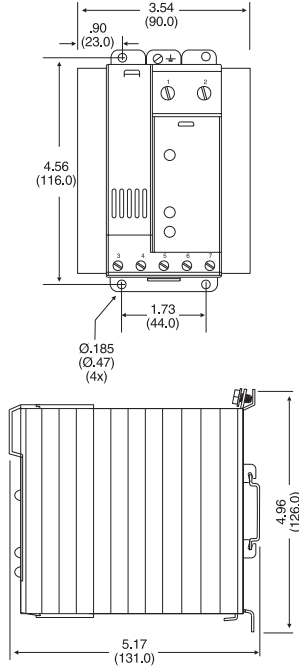
Options	
100	Standard 50-100 amp model
B00	100 amp model without fuse

DIMENSIONS

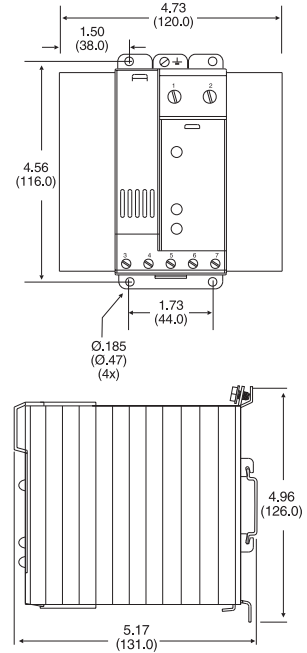
50 Amp



75 Amp



100 Amp



Terminals:

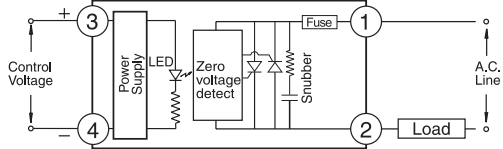
- Input:
- Will accept #24-10 AWG wire
 - Torque to 7-9 inch lbs.
- Output:
- Will accept #8-3 AWG wire
 - Torque to 40 inch lbs.

* Standard product features internal fuses.

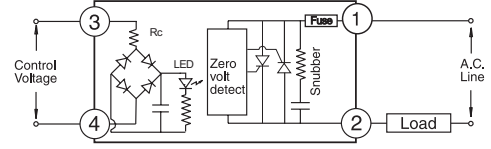
** The -B00 option substitutes a copper bus bar in place of the internal I²T fuse. This permits the RSAA/RSDA to be operated on higher amperage applications without concern about fuse de-rating due to heat. Please order the external fuse and fuseblock as a separate line item. Consult factory regarding the -B00 option.

SCHEMATICS

DC



AC



For more information contact your local representative:

© Copyright Eurotherm Inc 2004.

All rights strictly reserved. No part of this document may be stored in a retrieval system of any form or by any means without prior written permission from Eurotherm Controls Inc. Every effort has been taken to ensure the accuracy of this specification. However, in order to maintain our technological lead we are continuously improving our products which could, without notice, result in amendments or omissions to this specification. We cannot accept responsibility for damage, injury, loss or expenses resulting therefrom.