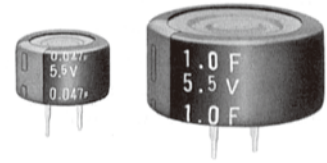
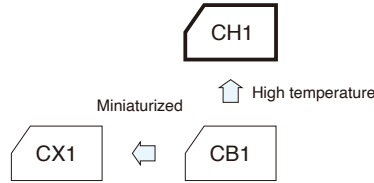




This products are not recommended for new design.

Code in front of series have been extracted from product code, which describes the segment of products, such as type and features.

- High temperature tolerant (−25 to +85°C) and highly reliable.
- Ideal for backing up of CMOS IC's, microcomputers, RAM's, RTC's for smart meter, outdoor equipment, industrial.
- Environmental : GREEN CAP™ , RoHS compliance.



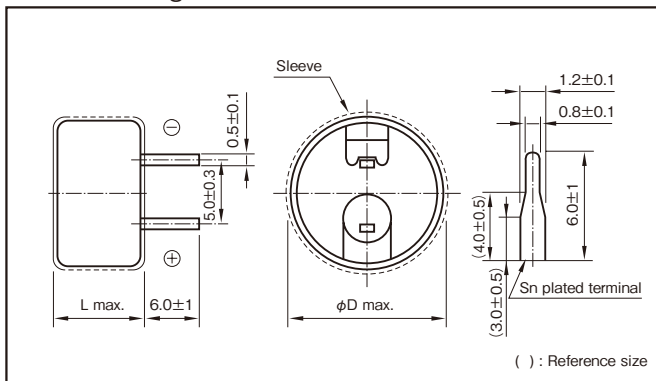
Marking color :  
White print on an indigo sleeve

### Specifications

Item	Performance						
Category temperature range (°C)	−25 to +85						
Tolerance at rated capacitance (%)	−20 to +80						
Internal resistance at 1 kHz	Rated capacitance (F)	0.047	0.1	0.22	0.47	0.68	1
	Internal resistance (Ω Max.)	300	200	120	50	50	30
Characteristics at high and low temperature	Percentage of capacitance change	Within ±30% of the value at 20°C					
	Internal resistance	Five times or less of the value at 20°C					
Endurance (85°C)	Test time	1000 hours					
	Percentage of capacitance change	Within ±30% of the initial measured value					
	Internal resistance	Four times or less of the initial specified value					
Shelf life (85°C)	Test time : 1000 hours ; Same as endurance.						
Applicable standards	Conforms to JIS C5160 - 1 (IEC 62391 - 1)						

### Outline Drawing

Unit : mm



Product code system : 5.5V0.22F (\*For general product)

RS*	CH1	224	5R5	G09	014	T
Category code	Series code	capacitance code	Voltage code	Size code	Lead-forming and packing code	Additional code

- Product code is refer to following table and "Product Code System" pages.
  - Lead-forming and packing code on this page are for standard terminals and standard packing products.
- For standard packing, please refer to the "PACKING" page.

### Standard Ratings

Max. operating voltage (V)	Rated capacitance (F)	ELNA Parts No.	φD×L (mm)
5.5	0.047	RSCH14735R5G09014T	13.5×9.5
5.5	0.1	RSCH11045R5G09014T	13.5×9.5
5.5	0.22	RSCH12245R5G09014T	13.5×9.5
5.5	0.47	RSCH14745R5L09015T	21.5×9.5
5.5	0.68	RSCH16845R5L09015T	21.5×9.5
5.5	1	RSCH11055R5L09015T	21.5×9.5

NOTE : Design, Specifications are subject to change without notice.  
It is recommended that you shall obtain technical specifications from ELNA to ensure that the component is suitable for your use.