



This products are not recommended for new design.

Code in front of series have been extracted from product code, which describes the segment of products, such as type and features.

- Small-sized, large capacity, excellent voltage holding.
- For all ratings, uniform 5mm pitch of terminal spacing.
- Wider temperature range (-25 to +70°C) than battery.
- $\phi 21.5 \times 8.0$ mm size can encase up to 1.5F.
- Ideal for backing up of CMOS's, IC's of camera, microcomputers, RAM's, RTC's and the like used in audio, general electronic device, and others.
- Environmental : GREEN CAP™ , RoHS compliance.



CB1

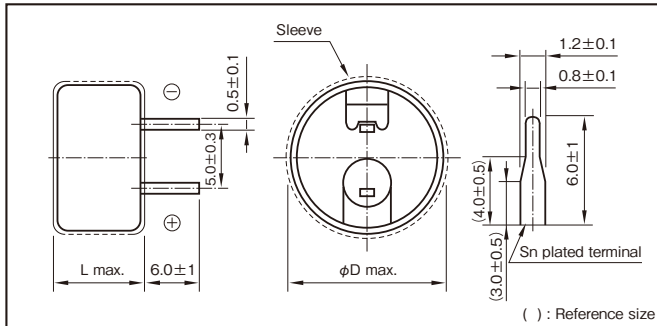
Marking color : White print on an indigo sleeve

Specifications

Item	Performance	
Category temperature range (°C)	-25 to +70	
Tolerance at rated capacitance (%)	-20 to +80	
Internal resistance at 1 kHz	Rated capacitance (F)	0.047 0.1 0.22 0.33 0.47 0.47 1 1.5
	Internal resistance (Ω Max.)	120 75 75 75 75 ($\phi 13.5$) 30 ($\phi 21.5$) 30 30
Characteristics at high and low temperature	Percentage of capacitance change	Within $\pm 30\%$ of the value at 20°C
	Internal resistance	Five times or less of the value at 20°C
Endurance (70°C)	Test time	1000 hours
	Percentage of capacitance change	Within $\pm 30\%$ of the initial measured value
	Internal resistance	Four times or less of the initial specified value
Shelf life (70°C)	Test time : 1000 hours ; Same as endurance.	
Applicable standards	Conforms to JIS C5160 - 1 (IEC 62391 - 1)	

Outline Drawing

Unit : mm



Product code system : 5.5V0.22F (*For general product)

RS*	CB1	224	5R5	G07	014	T
Category code	Series code	capacitance code	Voltage code	Size code	Lead-forming and packing code	Additional code

- Product code is refer to following table and "Product Code System" pages.
 - Lead-forming and packing code on this page are for standard terminals and standard packing products.
- For standard packing, please refer to the "PACKING" page.

Standard Ratings

Max. operating voltage (V)	Rated capacitance (F)	ELNA Parts No.	$\phi D \times L$ (mm)
5.5	0.047	RSCB14735R5G07014T	13.5×7.5
5.5	0.1	RSCB11045R5G07014T	13.5×7.5
5.5	0.22	RSCB12245R5G07014T	13.5×7.5
5.5	0.33	RSCB13345R5G07014T	13.5×7.5
5.5	0.47	RSCB14745R5G07014ST	13.5×7.5
5.5	0.47	RSCB14745R5L08015T	21.5×8.0
5.5	1	RSCB11055R5L08015T	21.5×8.0
5.5	1.5	RSCB11555R5L08015T	21.5×8.0

NOTE : Design, Specifications are subject to change without notice.
It is recommended that you shall obtain technical specifications from ELNA to ensure that the component is suitable for your use.