

RPZF3

socket RPZ - mixed contact - 16 A - < 250 V -
screw clamp - for relay RXM3..



Main

Range of product	Zelio Relay
Product or component type	Socket
Contact terminal arrangement	Mixed
Product compatibility	Plug-in relay RPM (3 C/O)
Shape of pin	Flat
Device short name	RPZ
Sale per indivisible quantity	10

Complementary

[I _{th}] conventional free air thermal current	15 A
[U _e] rated operational voltage	< 250 V
Tightening torque	<= 1 N.m (M3.5 screw(s))
Fixing mode	By screw mounting on panel Clip-on mounting on 35 mm symmetrical DIN rail
Marking	CE
Width	40 mm
Product weight	0.072 kg

Environment

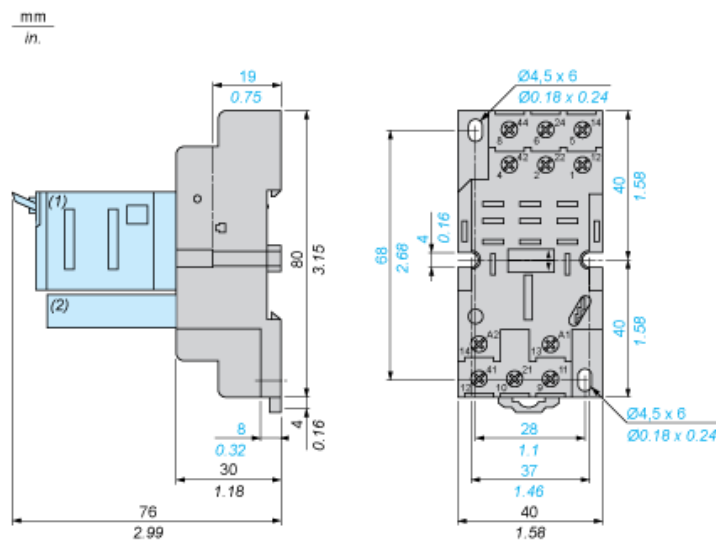
Connections - terminals	- screw clamp terminals, flexible cable with cable end 1 x 0.25...2 x 1 mm ² / AWG 22...AWG 17 - screw clamp terminals, solid cable without cable end 1 x 0.5...2 x 1.5 mm ² / AWG 20...AWG 16
Standards	IEC 61984
Product certifications	CSA UL
Ambient air temperature for storage	-40...85 °C
Ambient air temperature for operation	-40...55 °C
IP degree of protection	IP20 conforming to EN/IEC 60529

Dielectric strength	2500 V
---------------------	--------

Contractual warranty

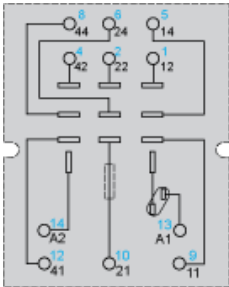
Warranty period	18 months
-----------------	-----------

Dimensions



- (1) Relays
- (2) Protection module
- (3) Maintaining clamp

Wiring Diagram



Symbols shown in blue correspond to Nema marking.