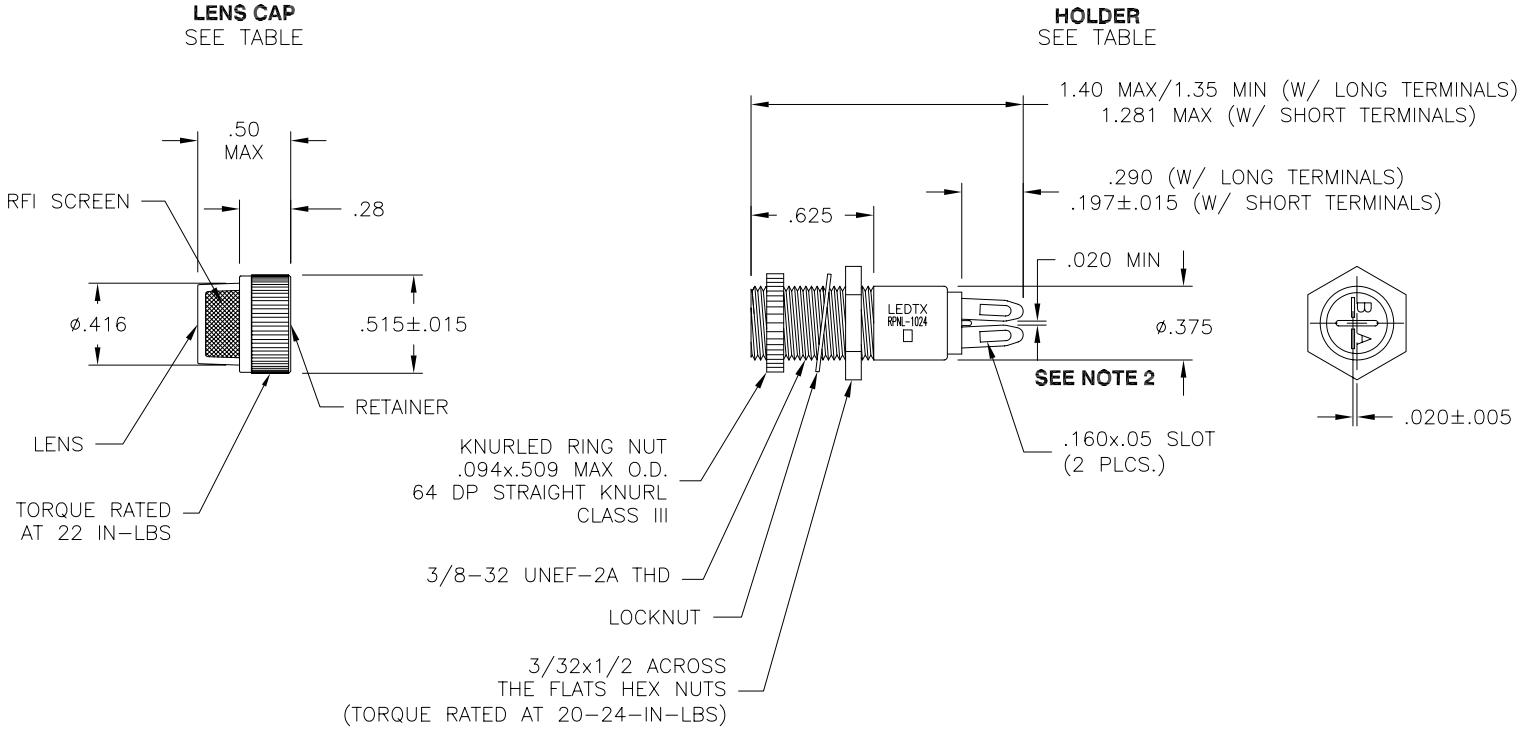


LENS PART NO.	HOLDER PART NO.
LENS-D86B-CC	HLDR-DNO-60Y-SD

FORM 4.04-001E

LTR	REVISION	DATE	APPD
G	020515-EE01: UPDATED TERMINALS NOTES	02-06-15	GP



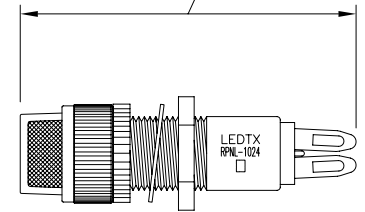
LENS DESCRIPTION:

- MATERIAL: LENS - LEXAN
 RFI SCREEN - TYPE 316 STAINLESS STEEL # 58 MESH
 RETAINER - 2011-T3 ALUMINUM QQ-A-3656 ANODIZED PER MIL-A-8625A TYPE II
- LENS COLOR: CC - CLOUDY CLEAR
- Topr: -55°C TO +85°C Tstg: -40°C TO +100°C

HOLDER DESCRIPTION:

- MEETS OR EXCEEDS THE APPLICABLE REQUIREMENTS OF MIL-L-3661
- BODY: YELLOW CHROMATE ALUMINUM
- TERMINALS: 720 FULL HARD BRASS, ELECTRO TIN FUSE
- HEX NUT: BRASS, NICKEL PLATED FINISH
- MEASUREMENT FROM FRONT OF SOCKET (TREAD SIDE) TO INSIDE FLOOR OF SOCKET 0.74[18.80] DEPTH
- Topr: -40°C TO +85°C Tstg: -40°C TO +100°C

1.73 MAX/1.68 MIN (W/ LONG TERMINALS)
 1.60 (W/ SHORT TERMINALS)



ASSEMBLED



NOTES:

- HOLDER AND LENS CAP TO BE RFI/EMI SHIELDED
- TERMINALS TO BE SOLDER DIPPED IN ACCORDANCE WITH MIL-STD-1276, HOT SOLDER DIP WITH A FINISH OF (51) OR (52) THICKNESS ≥ 60 μ INCHES. 100% TERMINAL COVERAGE TERMINAL STRENGTH SHALL MEET THE REQUIREMENTS OF MIL-L-3661.

REVISION NOTIFICATION	
<input type="checkbox"/>	DLC
<input type="checkbox"/>	UL/ETL
<input type="checkbox"/>	MADE IN USA
<input checked="" type="checkbox"/>	CUSTOMER RAYTHEON
<input type="checkbox"/>	OTHER

ASSEMBLY P/N	RAYTHEON P/N
RPNL-1024-000	G504343-1

LED[®]
LEDTRONICS, INC.[™]
 23105 KASHIWA COURT
 TORRANCE, CA 90505

-PROPRIETARY-
 This document contains Proprietary information of LEDTRONICS, INC. It may not be copied, used or disclosed for any purpose without the prior express written consent of LEDTRONICS, INC.

.XXX ± .010 TOLERANCE PER ANSI-Y14.5
 .XX ± .025 (UNLESS OTHERWISE STATED)
 ANGLES ± 0°, 30'
 FRACT. ± 1/32

TITLE					
RPNL-1024-000					
DWG NO	SCALE	SHEET	DATE		
R1024004-CUST	1:1	1 OF 1	12-10-08		
CODE IDENT NO.	DWG BY	CHK BY	QA	MFG	R&D
8Z410	GP 12-10-08		EE 02-11-15	LD 02-09-15	LUV 02-06-15