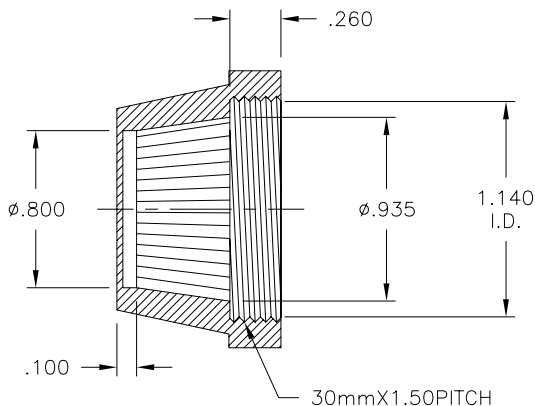
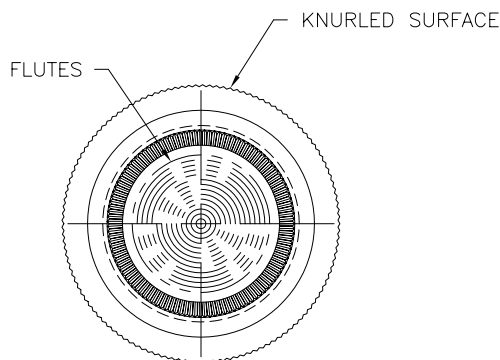
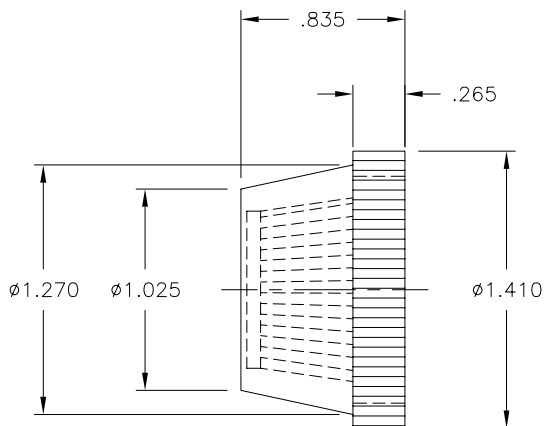


LTR	REVISION	DATE	APPD
-	RELEASED	07-07-08	



LENS COLORS AVAILABLE	
PART NO.	COLOR
RPLL30-CAF	AMBER
RPLL30-CBF	BLUE
RPLL30-CGF	GREEN
RPLL30-CRF	RED
RPLL30-CWF	WATER CLEAR
RPLL30-CYF	YELLOW
RPLL30-TWF	TRANSLUCENT WHT.



**NOTES:**

1. MATERIAL: GE LEXAN 101-112 (UL 94V-2)

REVISION NOTIFICATION	
<input type="checkbox"/>	PMA
<input type="checkbox"/>	UL
<input type="checkbox"/>	CUSTOMER _____
<input type="checkbox"/>	OTHER



**-PROPRIETARY-**  
This document contains Proprietary information of LEDTRONICS, INC. It may not be copied, used or disclosed for any purpose without the prior express written consent of LEDTRONICS, INC.

.XXX ± .010 TOLERANCE PER ANSI-Y14.5  
.XX ± .025 (UNLESS OTHERWISE STATED)  
ANGLES ± 0°,30'  
FRACT. ± 1/32

TITLE					
<b>RPLL30-XXF (LENS)</b>					
DWG NO	SCALE	SHEET	DATE		
CMLN0005-CUST	1:1	1 OF 1	07-07-08		
CODE IDENT NO.	DWG BY	CHK BY	QA	MNFG	CUSTOMER
8Z410	GP	PL	07-08-08		