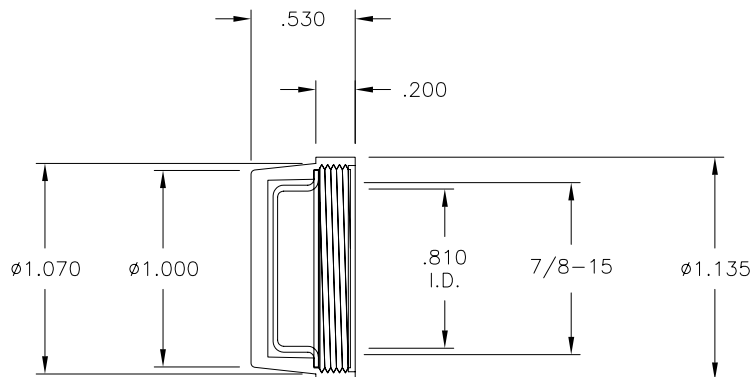


LTR	REVISION	DATE	APPD
-	RELEASED	07-08-08	



LENS COLORS AVAILABLE	
PART NO.	COLOR
RPLL22-CAF	CLEAR AMBER
RPLL22-CBF	CLEAR BLUE
RPLL22-CGF	CLEAR GREEN
RPLL22-CRF	CLEAR RED
RPLL22-CWF	CLEAR WATER
RPLL22-CYF	CLEAR YELLOW

NOTES:

- LENS MATERIAL: POLYCARBONATE (PC) (UL 94V-2)
- DIFFUSER MATERIAL: FROSTED, POLYCARBONATE
- ADAPTER MATERIAL: ALUMINUM 6061T6



REVISION NOTIFICATION
<input type="checkbox"/> PMA
<input type="checkbox"/> UL
<input type="checkbox"/> CUSTOMER _____
<input type="checkbox"/> OTHER



-PROPRIETARY-
 This document contains Proprietary information of LEDTRONICS, INC. It may not be copied, used or disclosed for any purpose without the prior express written consent of LEDTRONICS, INC.

.XXX ± .010 TOLERANCE PER ANSI-Y14.5
 .XX ± .025 (UNLESS OTHERWISE STATED)
 ANGLES ± 0°,30'
 FRACT. ± 1/32

TITLE RPLL22-CXF						
DWG NO CMLN0007-CUST		SCALE 1:1		SHEET 1 OF 1		DATE 07-08-08
CODE IDENT NO. 8Z410	DWG BY GP	CHK BY PL	QA 07-08-08	MNFG	CUSTOMER	