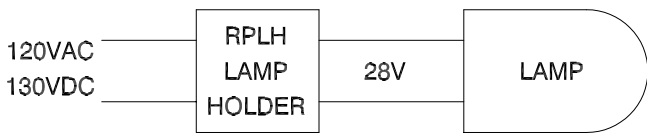


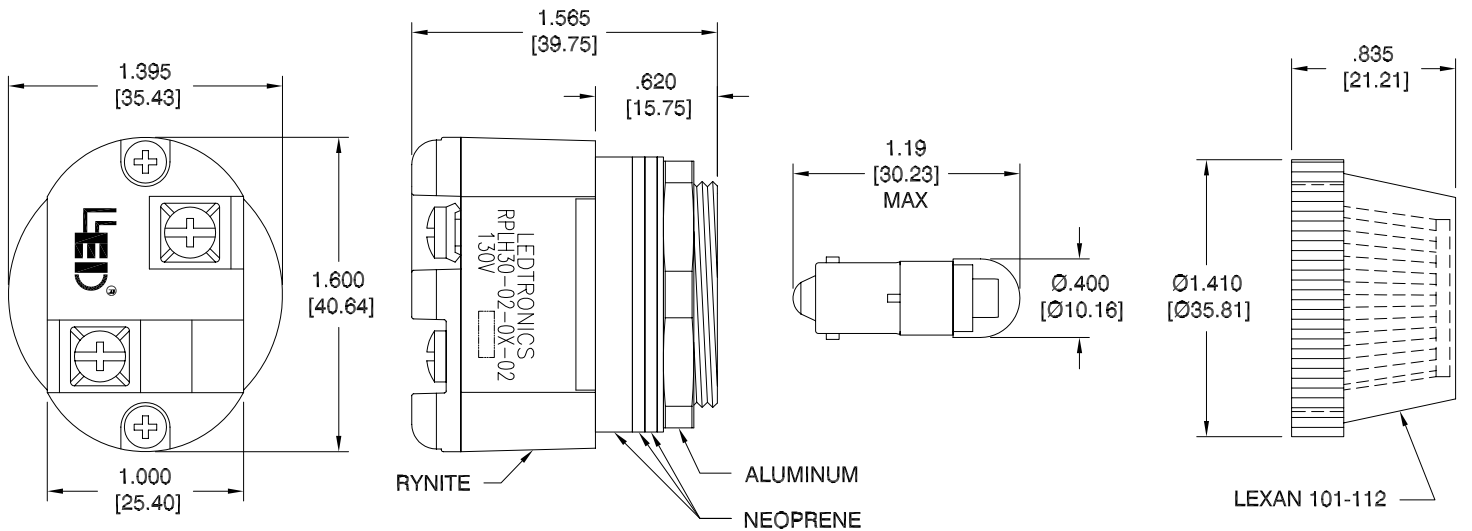
LTR	REVISION	DATE	APPD
-	RELEASED (REF. ECR#080117-GP01)	08-02-17	



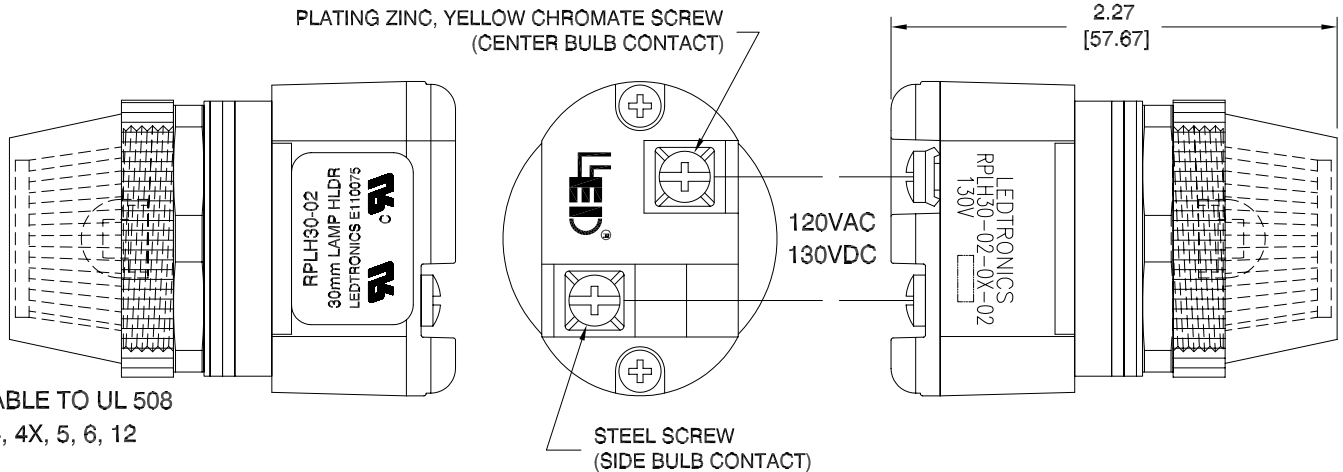
LAMP HOLDER SERIES - RPLH30-02

LED LAMP SERIES - RPLB-020X

LENS - RPLL30-CXF



PLATING ZINC, YELLOW CHROMATE SCREW
(CENTER BULB CONTACT)



- COMPARABLE TO UL 508
- NEMA 3, 4, 4X, 5, 6, 12

NOTES:

1. ALL DIMENSIONS ARE IN INCHES [MILLIMETERS].
2. MOUNTING HOLE SIZE: Ø19/16" [Ø30mm]
3. ACCEPTABLE OPERATION AT VOLTAGES: 50VAC/DC TO 140VAC/DC
3. WEIGHT: 0.10 lbs. / 1.6 oz.

RPLH30-02-XX-02



ELECTRICAL / OPTICAL CHARACTERISTICS (Ta = 25°C)

RPLH30-02-01-02	130Vdc/120Vac	0.014 A	1.82 W	635	RED	RPLH30-02	RPLB-0201-28V	RPLL30-CRF
RPLH30-02-02-02	130Vdc/120Vac	0.014 A	1.82 W	610	AMBER	RPLH30-02	RPLB-0203-28V	RPLL30-CAF
RPLH30-02-03-02	130Vdc/120Vac	0.014 A	1.82 W	595	YELLOW	RPLH30-02	RPLB-0204-28V	RPLL30-CYF
RPLH30-02-04-02	130Vdc/120Vac	0.014 A	1.82 W	519	GREEN	RPLH30-02	RPLB-0206-28V	RPLL30-CGF
RPLH30-02-05-02	130Vdc/120Vac	0.014 A	1.82 W	462	BLUE	RPLH30-02	RPLB-0208-28V	RPLL30-CBF
RPLH30-02-06-02	130Vdc/120Vac	0.014 A	1.82 W	8000K	WHITE	RPLH30-02	RPLB-0209-28V	RPLL30-TWF
RPLH30-02-07-02	130Vdc/120Vac	0.014 A	1.82 W	8000K	CLEAR	RPLH30-02	RPLB-0210-28V	RPLL30-CWF

LEDTRONICS PART NO.	INPUT VOLTAGE, V	CURRENT (A)	POWER (W)	λP nm COLOR TEMP. (K)	COLOR EMITTED	LAMP HOLDER PART NO.	LED LAMP PART NO.	LENS PART NO.
---------------------	------------------	-------------	-----------	-----------------------------------	---------------	----------------------	-------------------	---------------



-PROPRIETARY-
This document contains Proprietary information of LEDTRONICS, INC. It may not be copied, used or disclosed for any purpose without the prior express written consent of LEDTRONICS, INC.

.XXX ± .010 TOLERANCE PER ANSI-Y14.5
.XX ± .025 (UNLESS OTHERWISE STATED)
ANGLES ± 0°,30'
FRACT. ± 1/32

TITLE RPLH30-02-0X-02					
DWG NO H3002005-INT		SCALE 1:1	SHEET 1 OF 1	DATE 08-02-17	
CODE IDENT NO. 8Z410	DWG BY GP 08-02-17	CHK BY	QA EE 08-09-17	MFG LD 08-09-17	R&D LUV 08-09-17