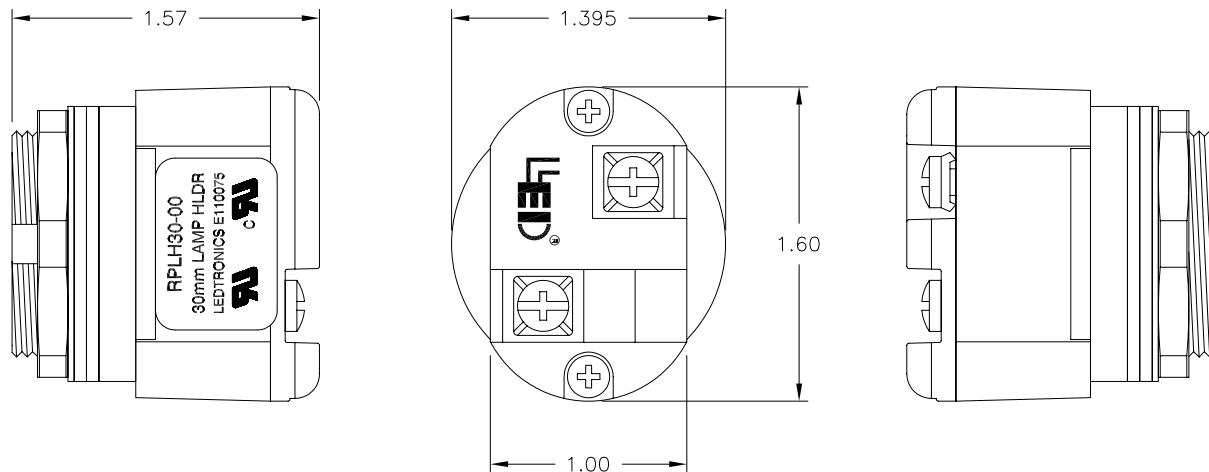
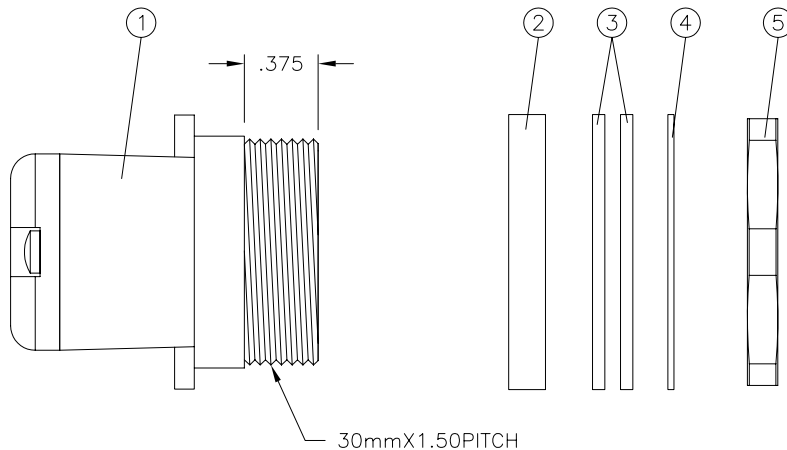


LTR	REVISION	DATE	APPD
C	070708-PL01: UPDATED DWG.	07-07-08	GP



BILL OF MATERIALS

ITEM	DESCRIPTION	QTY
1	LAMPHOLDER (RYNITE FR530 [UL94V0])	1
2	WASHER Ø1.4X.188 (NEOPRENE) OPTIONAL	1
3	WASHER Ø1.4X.063 (NEOPRENE) OPTIONAL	2
4	WASHER Ø1.4X.031 (NEOPRENE) OPTIONAL	1
5	NUT (ALUMINUM 6061T6)	1



REVISION NOTIFICATION	
<input type="checkbox"/>	PMA
<input type="checkbox"/>	UL
<input type="checkbox"/>	CUSTOMER _____
<input type="checkbox"/>	OTHER

LED[®]
LEDTRONICS,™ INC.
 23105 KASHIWA COURT
 TORRANCE, CA 90505

-PROPRIETARY-
 This document contains Proprietary information of LEDTRONICS,™ INC. It may not be copied, used or disclosed for any purpose without the prior express written consent of LEDTRONICS,™ INC.

.XXX ± .010 TOLERANCE PER ANSI-Y14.5
 .XX ± .025 (UNLESS OTHERWISE STATED)
 ANGLES ± 0°,30'
 FRACT. ± 1/32

TITLE				RPLH30-00			
DWG NO		SCALE		SHEET		DATE	
H3002003		1:1		1 OF 1		03-23-99	
CODE IDENT NO.	DWG BY	CHK BY	QA	MNFG	CUSTOMER		
8Z410	SA	PL 07-08-08					