

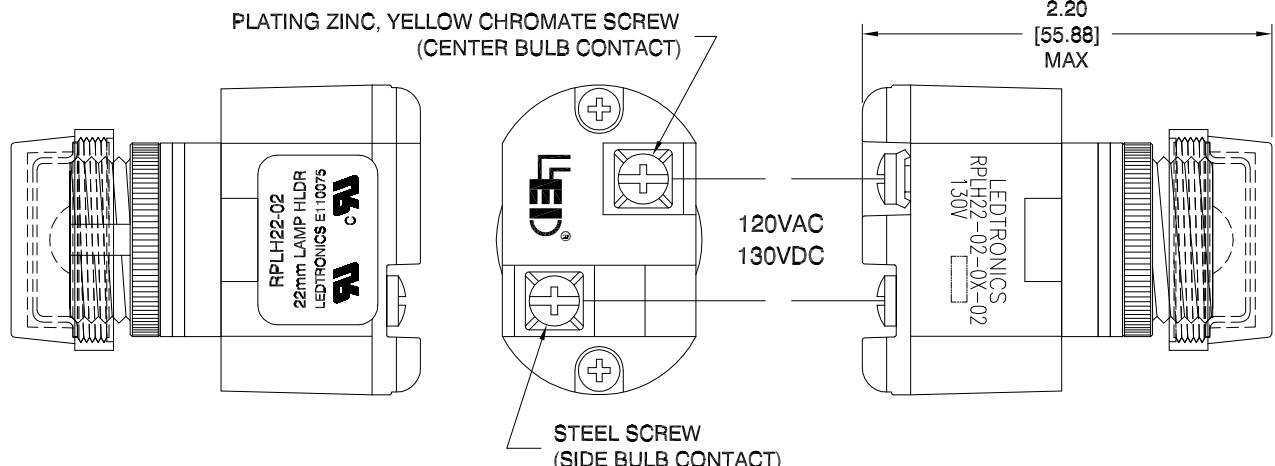
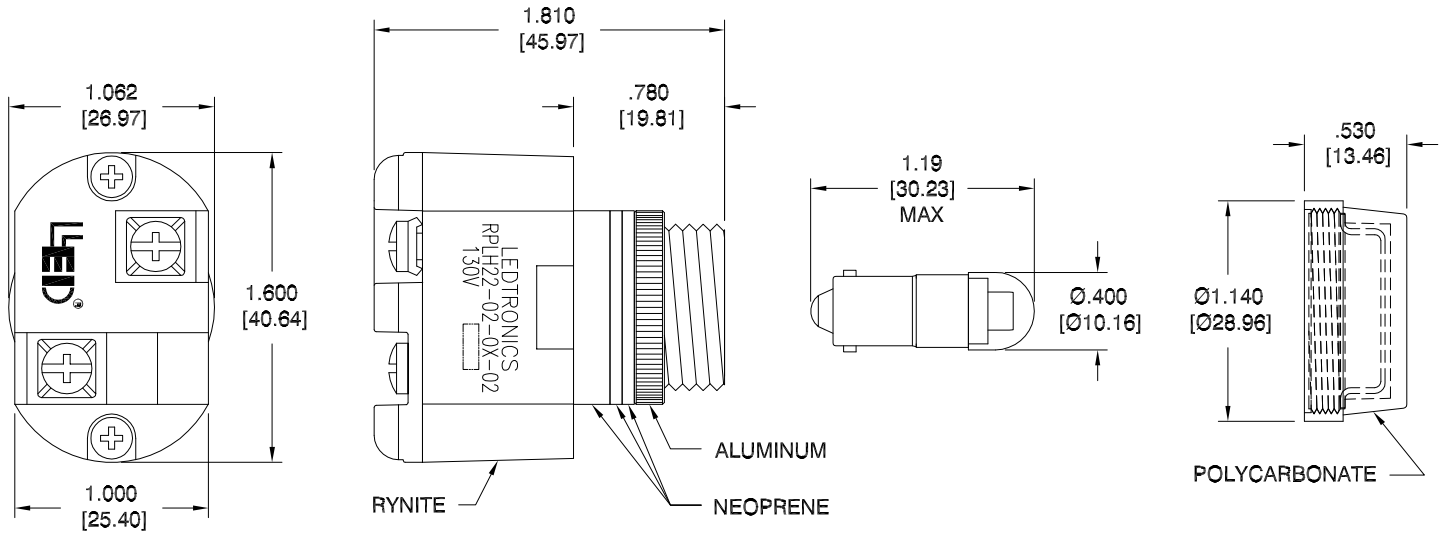
FORM 4.04-001G

LTR	REVISION	DATE	APPD
A	012721-GP02: REMOVED NOTATIONS	01-27-21	GP

**LAMP HOLDER SERIES - RPLH22-02**

**LED LAMP SERIES - RPLB-020X**

**LENS - RPLL22-CXF**



**NOTES:**

1. ALL DIMENSIONS ARE IN INCHES [MILLIMETERS].
2. MOUNTING HOLE SIZE: Ø7/8" [Ø22mm]
3. WEIGHT: 0.087 lbs. / 1.4 oz.

**RPLH22-01-0X-02**



**ELECTRICAL / OPTICAL CHARACTERISTICS (Ta = 25°C)**

RPLH22-02-01-02	130Vdc/120Vac	0.014 A	1.82 W	635	RED	RPLH22-02	RPLB-0201-28V	RPLL22-CRF
RPLH22-02-02-02	130Vdc/120Vac	0.014 A	1.82 W	610	AMBER	RPLH22-02	RPLB-0203-28V	RPLL22-CAF
RPLH22-02-03-02	130Vdc/120Vac	0.014 A	1.82 W	595	YELLOW	RPLH22-02	RPLB-0204-28V	RPLL22-CYF
RPLH22-02-04-02	130Vdc/120Vac	0.014 A	1.82 W	519	GREEN	RPLH22-02	RPLB-0206-28V	RPLL22-CGF
RPLH22-02-05-02	130Vdc/120Vac	0.014 A	1.82 W	462	BLUE	RPLH22-02	RPLB-0208-28V	RPLL22-CBF
RPLH22-02-06-02	130Vdc/120Vac	0.014 A	1.82 W	8000K	WHITE	RPLH22-02	RPLB-0209-28V	RPLL22-TWF
RPLH22-02-07-02	130Vdc/120Vac	0.014 A	1.82 W	8000K	CLEAR	RPLH22-02	RPLB-0210-28V	RPLL22-CWF
LEDTRONICS PART NO.	INPUT VOLTAGE, V	CURRENT (A)	POWER (W)	λ P nm COLOR TEMP. (K)	COLOR EMITTED	LAMP HOLDER PART NO.	LED LAMP PART NO.	LENS PART NO.

**LED**<sup>®</sup>  
LEDTRONICS,™ INC.  
23105 KASHIWA COURT  
TORRANCE, CA 90505

**-PROPRIETARY-**  
This document contains Proprietary information of LEDTRONICS,™ INC. It may not be copied, used or disclosed for any purpose without the prior express written consent of LEDTRONICS,™ INC.  
 .XXX ± .010 TOLERANCE PER ANSI-Y14.5  
 .XX ± .025 (UNLESS OTHERWISE STATED)  
 ANGLES ± 0°,30'  
 FRACT. ± 1/32

TITLE							
<b>RPLH22-02-0X-02</b>							
DWG NO	SCALE	SHEET	DATE				
H2202002-INT	1:1	1 OF 1	08-02-17				
CODE IDENT NO.	DWG BY	CHK BY	QA	MFG	R&D		
8Z410	GP	08-02-17	SB	LD	LUV		
			01-28-21	01-27-21	01-27-21		