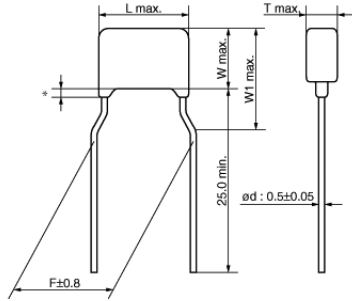


# RPE5C1H102J2K1A03B



## Appearance & Shape



\* Coating extension does not exceed the end of the lead bend.  
· Lead Wire : Solder Coated Copper Wire or Solder Coated CP Wire (in mm)

## References

Packaging	Specifications	Minimum Order Quantity
B	Bulk(Bag)	500

Mass (typ.)	
1 piece	0.099g

## Notices

In case of automotive use, alternative part is RCE series.

**Attention**  
1.This datasheet is downloaded from the website of Murata Manufacturing Co., Ltd. Therefore, it's specifications are subject to change or our products in it may be discontinued without advance notice. Please check with our sales representatives or product engineers before ordering.  
2.This datasheet has only typical specifications because there is no space for detailed specifications.  
Therefore, please review our product specifications or consult the approval sheet for product specifications before ordering.

# RPE5C1H102J2K1A03B

## Specifications

L size or Outer diameter D	5.0mm max.
Width	3.5mm max.
T size	2.5mm max.
Lead spacing F	5.0±0.8mm
Lead diameter d	0.5±0.05mm
Capacitance	1000pF ±5%
Rated voltage	50Vdc
Temperature characteristics	C0G(EIA)
Temperature range of temperature characteristics	-55°C to 125°C
Operating Temperature Range	-55°C to 125°C
TC	25 to 125°C: 0±30ppm/°C-55 to 25°C: 0+30/-72ppm/°C
W1 size	5.0mm

### Attention

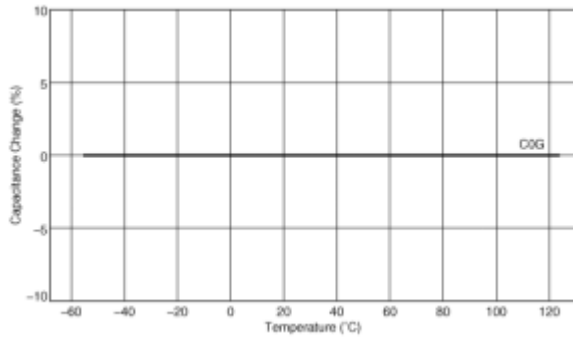
1.This datasheet is downloaded from the website of Murata Manufacturing Co., Ltd. Therefore, it's specifications are subject to change or our products in it may be discontinued without advance notice. Please check with our sales representatives or product engineers before ordering.

2.This datasheet has only typical specifications because there is no space for detailed specifications.

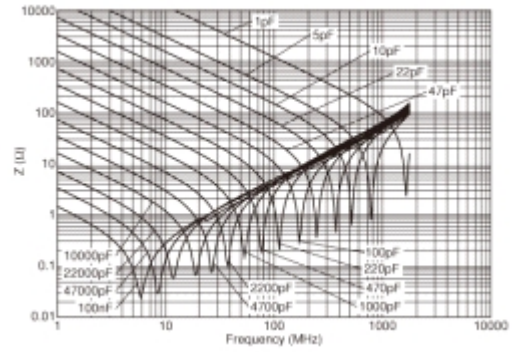
Therefore, please review our product specifications or consult the approval sheet for product specifications before ordering.

# RPE5C1H102J2K1A03B

## Product Data



Capacitance - temperature characteristics



Impedance - frequency characteristics

**Attention**

- 1.This datasheet is downloaded from the website of Murata Manufacturing Co., Ltd. Therefore, it's specifications are subject to change or our products in it may be discontinued without advance notice. Please check with our sales representatives or product engineers before ordering.
- 2.This datasheet has only typical specifications because there is no space for detailed specifications.  
Therefore, please review our product specifications or consult the approval sheet for product specifications before ordering.