

RN73C2A4R75BTDF ✓ ACTIVE



Holsworthy | Holsworthy RN73

TE Internal #: 5-2176264-9

Precision Resistor, Thin Film, 0805, .1 W, 4.75 Ω , .1 %, ± 10 ppm/ $^{\circ}\text{C}$, Solder, 2 Termination, Height .022 in [.55 mm], Holsworthy RN73

[View on TE.com >](#)

Passive Components > Resistors > Surface Mount Resistors



Resistor Type: **Precision Resistor**

Element Type: **Thin Film**

Package Size Code: **0805**

Power Rating: **.1 W**

Resistance Value: **4.75 Ω**

Features

Product Type Features

| | |
|-------------------|--------------------|
| Resistor Type | Precision Resistor |
| Element Type | Thin Film |
| Package Size Code | 0805 |

Configuration Features

| | |
|---------------------|---|
| Number of Resistors | 1 |
|---------------------|---|

Electrical Characteristics

| | |
|-----------------------------|-------------------|
| Power Rating | .1 W |
| Resistance Value | 4.75 Ω |
| Resistance Class | Up to 1k Ω |
| Passive Component Tolerance | .1 % |

Termination Features

| | |
|---|--------|
| Surface Mount Resistor Termination Type | Solder |
| Number of Terminations | 2 |

Dimensions



| | |
|----------------|------------------|
| Product Height | .55 mm[.022 in] |
| Product Length | 2 mm[.079 in] |
| Product Width | 1.25 mm[.049 in] |

Usage Conditions

| | |
|-----------------------------|----------------------------------|
| Operating Temperature Range | -55 - 155 $^{\circ}\text{C}$ |
| Temperature Coefficient | ± 10 ppm/ $^{\circ}\text{C}$ |

Packaging Features

| | |
|------------------|----------------|
| Packaging Method | Taped & Reeled |
|------------------|----------------|

Product Compliance

[For compliance documentation, visit the product page on TE.com>](#)

| | |
|---|---|
| EU RoHS Directive 2011/65/EU | Compliant |
| EU ELV Directive 2000/53/EC | Compliant |
| China RoHS 2 Directive MIIT Order No 32, 2016 | No Restricted Materials Above Threshold |
| EU REACH Regulation (EC) No. 1907/2006 | Current ECHA Candidate List: JAN 2024 (240) Candidate List Declared Against: JAN 2024 (240) Does not contain REACH SVHC |
| Halogen Content | Low Halogen - Br, Cl, F, I < 900 ppm per homogenous material. Also BFR/CFR/PVC Free |
| Solder Process Capability | Reflow solder capable to 260 $^{\circ}\text{C}$ |

Product Compliance Disclaimer

This information is provided based on reasonable inquiry of our suppliers and represents our current actual knowledge based on the information they provided. This information is subject to change. The part numbers that TE has identified as EU RoHS compliant have a maximum concentration of 0.1% by weight in homogenous materials for lead, hexavalent chromium, mercury, PBB, PBDE, DBP, BBP, DEHP, DIBP, and 0.01% for cadmium, or qualify for an exemption to these limits as defined in the Annexes of Directive 2011/65/EU (RoHS2). Finished electrical and electronic equipment products will be CE marked as required by Directive 2011/65/EU. Components may not be CE marked. Additionally, the part numbers that TE has identified as EU ELV compliant have a maximum concentration of 0.1% by weight in homogenous materials for lead, hexavalent chromium, and mercury, and 0.01% for cadmium, or qualify for an exemption to these limits as defined in the Annexes of Directive 2000/53/EC (ELV). Regarding the REACH Regulation, the information TE provides on SVHC in articles for this part number is based on the latest European Chemicals Agency (ECHA) 'Guidance on requirements for substances in articles' posted at this URL: <https://echa.europa.eu/guidance-documents/guidance-on-reach>

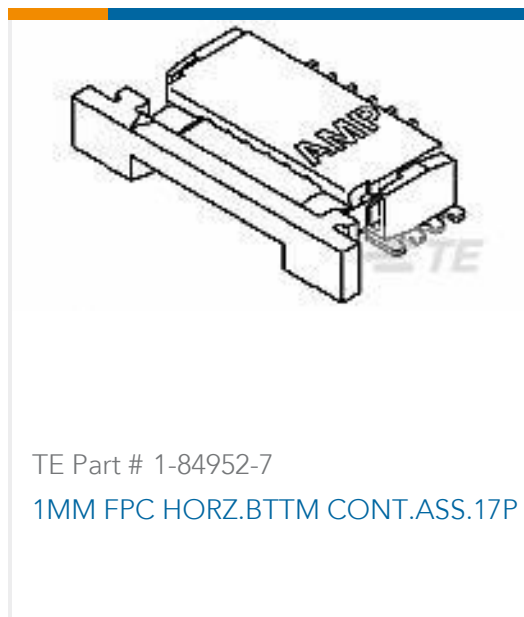
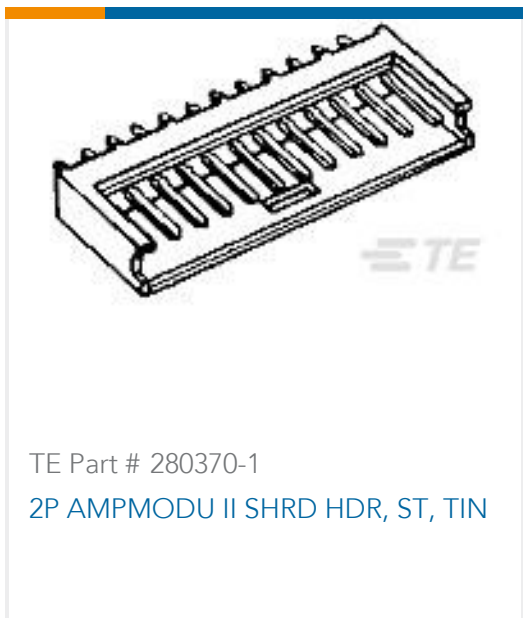
Compatible Parts



Also in the Series | **Holsworthy RN73**



Customers Also Bought





Documents

Product Drawings

[RN 0805 4R75 0.1% 10PPM 1K RL](#)

English

Datasheets & Catalog Pages

[High Precision Resistors \(SMD\) - Type RN73 Series - Tyco Electronics Passives](#)

English