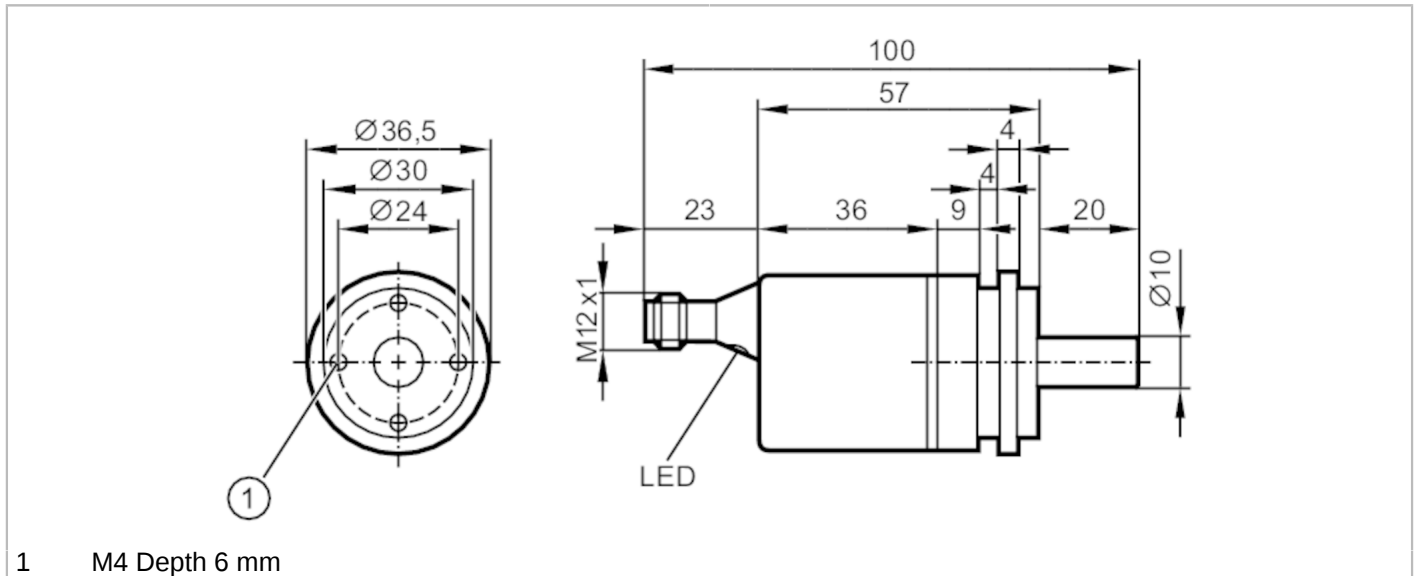


RM9000



Absolute multiturn encoder with solid shaft

RMS0024-C24/US



Product characteristics	
Resolution	4096 steps; 4096 revolutions; 24 bit
Communication interface	CAN
Shaft design	solid shaft
Shaft diameter [mm]	10
Application	
Function principle	absolute
Revolution type	multiturn
Electrical data	
Operating voltage [V]	9...30 DC; (cULus - Class 2 source required)
Current consumption [mA]	< 100; ((10 V DC) ; ≤ 50 (24 V DC))
Protection class	III
Reverse polarity protection	yes
Outputs	
Short-circuit protection	yes
Code	binary
Measuring/setting range	
Resolution	4096 steps; 4096 revolutions; 24 bit
Accuracy / deviations	
Accuracy [°]	0.08
Software / programming	
Parameter setting options	CAN parameter; scaling; preset; Baud rate; Direction of rotation; Node ID
Interfaces	
Communication interface	CAN

RM9000



Absolute multiturn encoder with solid shaft

RMS0024-C24/US

CAN	
Protocol	CANopen
Factory settings	Baud rate: 125 kBit/s node ID: 32
Version	DSP - 406 V3.1; DS 301 V4.02; DS 306 V2.0

Operating conditions	
Ambient temperature [°C]	-40...85
Protection	IP 68; IP 69K

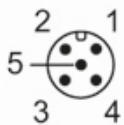
Tests / approvals	
Shock resistance	200 g (11 ms)
Vibration resistance	30 g (10...1000 Hz)
MTTF [years]	240

Mechanical data	
Weight [g]	234
Dimensions [mm]	Ø 36.5 / L = 100
Material	flange: aluminum; housing cap: steel scratch-resistant cathodic dip coating
Max. revolution, mechanical [U/min]	6000
Max. starting torque [Nm]	5
Reference temperature torque [°C]	20
Shaft design	solid shaft
Shaft diameter [mm]	10
Shaft material	steel (1.4104)
Max. shaft load axial (at the shaft end) [N]	180
Max. shaft load radial (at the shaft end) [N]	180
Fixing flange	Synchro-flange

Displays / operating elements		
Display	Preoperational Mode	LED, green
	Operational Mode	LED, green flashing
	Error message	LED, red flashing

Electrical connection

Connector: 1 x M12, axial



RM9000



Absolute multiturn encoder with solid shaft

RMS0024-C24/US

1	CAN_GND
2	VBBc
3	GND (PE)
4	CAN_High
5	CAN_Low