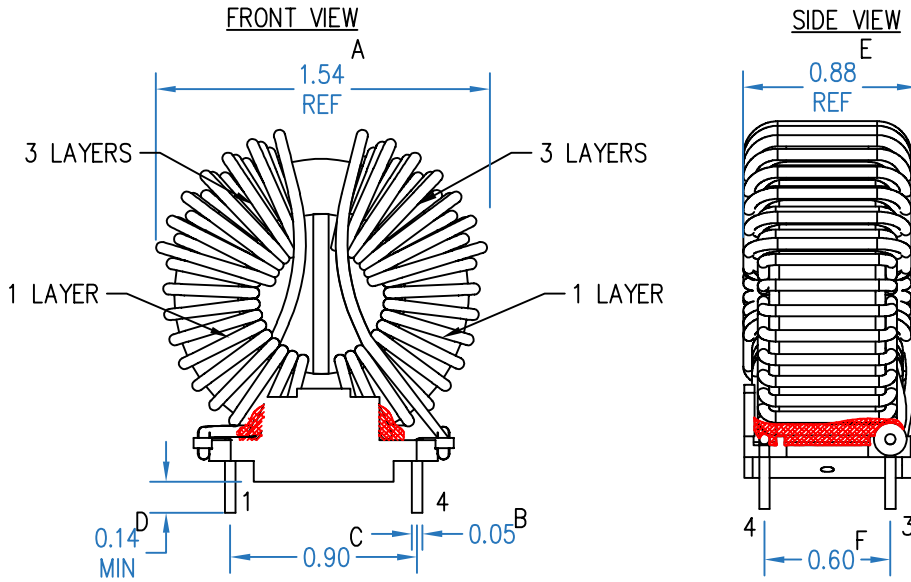


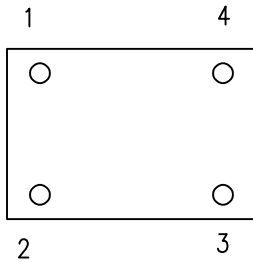


RENCO ELECTRONICS, INC.

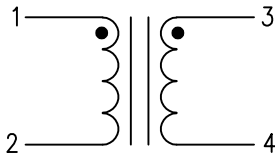
595 INTERNATIONAL PL. • ROCKLEDGE, FLORIDA 32955
 ph. (321)637-1000 fax (321)637-1600
 web www.rencousa.com < > email engineering@rencousa.com



BOTTOM VIEW



SCHEMATIC



ELECTRICAL TEST PARAMETERS:

INDUCTANCE @ 10kHz/0.1VAC
 SHORT PIN 2 AND 3
 $L(1-4) = 416\mu\text{H} \pm 10\%$

INDUCTANCE @ 10kHz/0.1VAC
"L" BALANCE TO BE WITHIN 2%
 $L(1-2) = 104\mu\text{H} \pm 10\%$
 $L(3-4) = 104\mu\text{H} \pm 10\%$

DC RESISTANCE OHMS (Ω) @ 25°C
 DCR: (1-2) = 31m Ω MAX
 (3-4) = 31m Ω MAX

HIPOT
 APPLY: 1000VAC @ 60Hz FOR 1 SEC,
 5mA MAX
 BTWN 1 TO 3, CORE
 BTWN 3 TO CORE

COURTESY DRAWING

FILE NAME
 RLTI-1336

<u>-TOLERANCES-</u>		CUSTOMER NAME		THIS COURTESY PRINT IS PROPRIETARY AND CONFIDENTIAL NO PART OF THIS COURTESY PRINT MAY BE DISCLOSED TO A THIRD PARTY WITHOUT PRIOR WRITTEN CONSENT FROM RENCO ELECTRONICS INC.	
UNLESS OTHERWISE SPECIFIED DIMENSIONS ARE IN INCHES		TI			
.XX=±	0.03	DESCRIPTION		THIS DOCUMENT IS FOR REFERENCE ONLY	
.XXX=±	0.015	MOD RLTI-1328 TO CMC			
ANGULAR=±	3°	ENGINEER CONTACT	DWN BY		
FRACTIONAL=±	1/16"	H. WANG	HW	RoHS COMPLIANT: YES <input checked="" type="checkbox"/> NO <input type="checkbox"/>	
		DATE	SCALE		
		11/26/19	NONE	-	1 OF 1