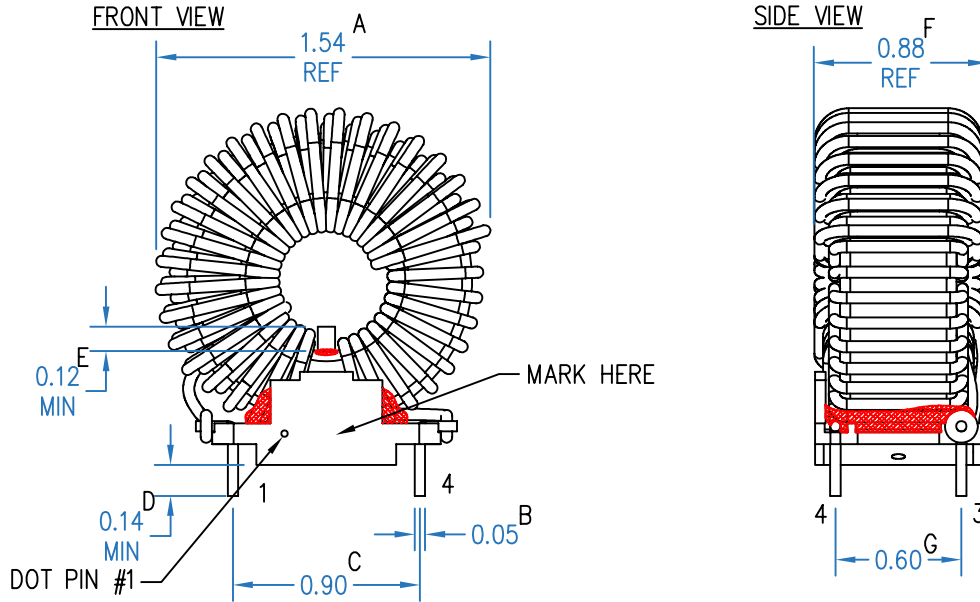


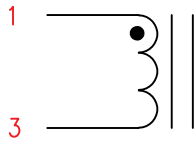


RENCO ELECTRONICS, INC.

595 INTERNATIONAL PL. • ROCKLEDGE, FLORIDA 32955
 ph. (321)637-1000 fax (321)637-1600
 web www.rencousa.com < > email engineering@rencousa.com



SCHEMATIC



ELECTRICAL TEST PARAMETERS:

INDUCTANCE @ 10kHz/0.1VAC
 $L(1-3) = 416\mu\text{H} \pm 10\%$

INDUCTANCE @ 10kHz/0.1VAC W/10A DC BIAS
 $L(1-3) = 200\mu\text{H REF}$

DC RESISTANCE OHMS (Ω) @ 25°C
 $\text{DCR: } (1-3) = 65\text{m}\Omega \text{ MAX}$

HIPOT
 APPLY: 1000VAC @ 60Hz FOR 1 SEC, 1mA MAX
 BTWN 1 TO CORE

COURTESY DRAWING

FILE NAME
 RLTI-1328

-TOLERANCES-		CUSTOMER NAME		THIS COURTESY PRINT IS PROPRIETARY AND CONFIDENTIAL NO PART OF THIS COURTESY PRINT MAY BE DISCLOSED TO A THIRD PARTY WITHOUT PRIOR WRITTEN CONSENT FROM RENCO ELECTRONICS INC.	
UNLESS OTHERWISE SPECIFIED DIMENSIONS ARE IN INCHES		TI			
.XX=±	0.03	DESCRIPTION		THIS DOCUMENT IS FOR REFERENCE ONLY	
.XXX=±	0.015	416μH INDUCTOR			
ANGULAR=±	3°	ENGINEER CONTACT	DWN BY		
FRACTIONAL=±	1/16"	H. WANG	HW	RoHS COMPLIANT: YES <input checked="" type="checkbox"/> NO <input type="checkbox"/>	
		DATE	SCALE		
		11/26/19	NONE	-	1 OF 1