

# GE Sensing

## Features

- Low cost solid state sensor
- Resistance tolerances down to  $\pm 2\%$
- High sensitivity to changes in temperature
- Suitable for temperature measurement, control and compensation
- Excellent mechanical strength
- Wide operating temperature range:  $-58^{\circ}\text{F}$  to  $302^{\circ}\text{F}$  ( $-50^{\circ}\text{C}$  to  $150^{\circ}\text{C}$ )
- Suitable for PCB and probe mountings
- Available in a wide range of material systems
- Also available with epoxy coating.
- Available on tape and reel to EIA RS-468A for automatic insertion

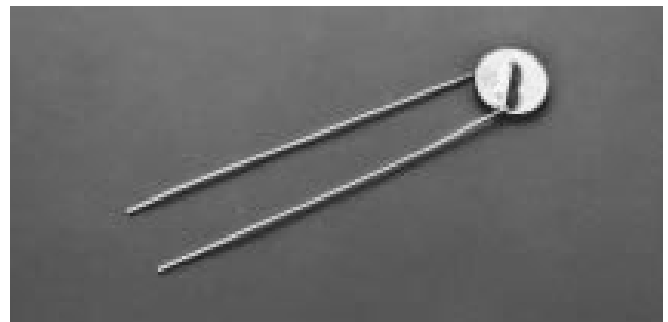
## Description

Point-matched disc thermistor with bare lead-wires.

# NTC Thermistors Type RL30

## Uncoated Disc With Radial Leads

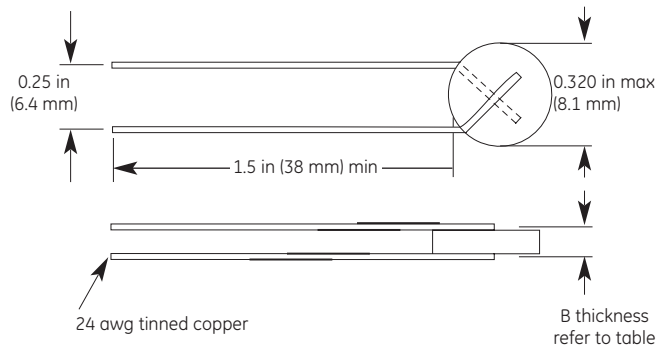
General Purpose Sensors is a Thermometrics product. Thermometrics has joined other GE high-technology sensing businesses under a new name—GE Industrial, Sensing.



# Type RL30 Specifications

Type Number	Ro@25°C Ω	Material Systems	Beta 25/85	B		δ (mW/K)	τ (sec.)
				in	mm		
RL3004-6.56-59-M	10	D5.9	3096	.130	3.30	7.0	35
RL3006-9.84-59-M	15	D5.9	3096	.150	3.81	7.5	45
RL3008-13.1-59-M	20	D5.9	3096	.170	4.32	8.0	50
RL3004-31.2-73-K	75	D7.3	3468	.130	3.30	7.0	35
RL3005-44.5-85-K	75	D8.5	3772	.140	3.56	7.0	35
RL3006-59.4-85-K	100	D8.5	3772	.150	3.81	7.5	45
RL3004-144-95-K	250	D9.5	3965	.130	3.30	7.0	35
RL3006-231-95-K	400	D9.5	3965	.150	3.81	7.5	45
RL3004-291-97-K	500	D9.7A	3972	.130	3.30	7.0	35
RL3006-436-97-K	750	D9.7A	3972	.150	3.81	7.5	45
RL3004-459-103-K	800	D10.3	4073	.130	3.30	7.0	35
RL3005-574-103-K	1K	D10.3	4073	.140	3.56	7.0	35
RL3007-861-103-K	1.5K	D10.3	4073	.160	4.06	7.5	40

Type Number	Ro@25°C Ω	Material Systems	Beta 25/85	B		δ (mW/K)	τ (sec.)
				in	mm		
RL3005-1100-120-K	2K	D12.0	4356	.140	3.56	7.0	35
RL3006-1377-120-K	2.5K	D12.0	4356	.150	3.81	7.5	45
RL3008-1652-120-K	3K	D12.0	4356	.170	4.32	8.0	50
RL3004-2214-122-K	4K	D12.2	4365	.130	3.30	7.0	35
RL3005-2768-122-K	5K	D12.2	4365	.140	3.56	7.0	35
RL3006-5340-140-K	10K	D14.0	4615	.150	3.81	7.5	45
RL3008-8010-140-K	15K	D14.0	4615	.170	4.32	8.0	50
RL3004-7900-150-K	15K	D15.0	4728	.130	3.30	7.0	35
RL3004-10.8K-138-K	20K	D13.8	4561	.130	3.30	7.0	35
RL3006-10.5K-150-K	20K	D15.0	4728	.150	3.81	7.5	45
RL3005-13.1K-155-K	25K	D15.5	4783	.140	3.56	7.0	35
RL3006-16.2K-138-K	30K	D13.8	4561	.150	3.81	7.5	45
RL3006-15.7K-155-K	30K	D15.5	4783	.150	3.81	7.5	45



## Options

- Other resistances and tolerances at other temperatures available.
- Resistance tolerance codes: G = 2%
  - J = 5%
  - K = 10%
  - L = 15%
  - M = 20%
- Alternative lead lengths, lead materials, insulations
- The - "K" suffix is the same as the "DI" suffix in earlier catalogs



©2007 GE. All rights reserved.  
920-414A

All specifications are subject to change for product improvement without notice. GE® is a registered trademark of General Electric Co. Other company or product names mentioned in this document may be trademarks or registered trademarks of their respective companies, which are not affiliated with GE.