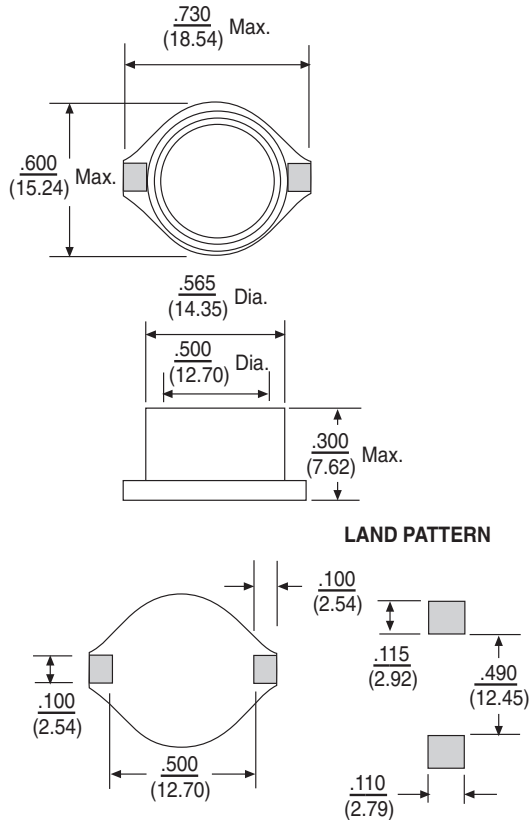




# RL-5022-S

## SHIELDED SMD POWER INDUCTORS



LAND PATTERN

**TAPE AND REEL PACKAGING**  
 Pieces per Reel 250  
 Plastic Reel Size 13"

ALL DIMENSIONS IN INCHES (mm)

The RL-5022-S Series offers shielded surface mount power inductors in a small .600" x .730" package and exceptionally low DC resistance. Designed with a flat top for reliable pick and place operations. Available in 13 values with inductance ratings from 10 $\mu$ H to 1.0mH and currents up to 3.9 Amps.

PART NUMBER	Inductance <sup>1</sup> ( $\mu$ H $\pm$ 20%)	SRF Typ. (MHz)	DCR max. (Ohms)	DC SAT <sup>2</sup> (Amps)	Rated Current <sup>3</sup> (Amps)
RL-5022-S-10	10	30	.040	8.0	3.9
RL-5022-S-15	15	20	.048	7.0	3.4
RL-5022-S-22	22	18	.059	6.0	3.1
RL-5022-S-33	33	14	.075	5.0	2.8
RL-5022-S-47	47	10	.097	4.0	2.4
RL-5022-S-68	68	9	.138	3.0	2.0
RL-5022-S-100	100	7	.207	2.4	1.7
RL-5022-S-150	150	6	.293	2.1	1.3
RL-5022-S-220	220	5	.47	1.9	1.1
RL-5022-S-330	330	4	.78	1.1	0.86
RL-5022-S-470	470	3	1.08	1.1	0.73
RL-5022-S-680	680	2.5	1.40	0.96	0.64
RL-5022-S-1000	1000	2.0	2.01	0.80	0.53

1. Inductance tested at 100 kHz, 0.1 Vrms.
2. Inductance drop = 10% typ.
3.  $\Delta$ T = 40°C typ.

Operating temperature range -40°C to +85°C.  
 Storage temperature range -40°C to +105°C.  
 Resistance to solder heat 260°C, 10 secs.



### RENCO ELECTRONICS, INC.

595 International Place, Rockledge, FL 32955-4200 USA

(321) 637-1000 • Toll Free Engineering Hot line 800-645-5828

Fax: (321) 637-1600 Web Site: [www.rencousa.com](http://www.rencousa.com) E-mail: [sales@rencousa.com](mailto:sales@rencousa.com)