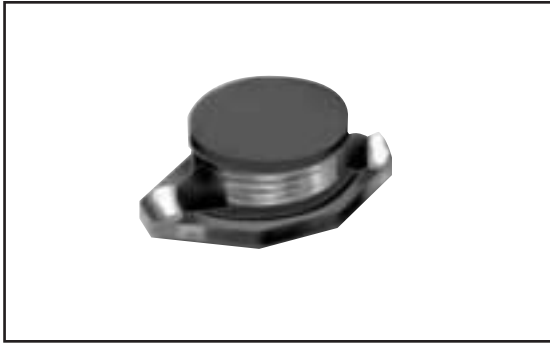


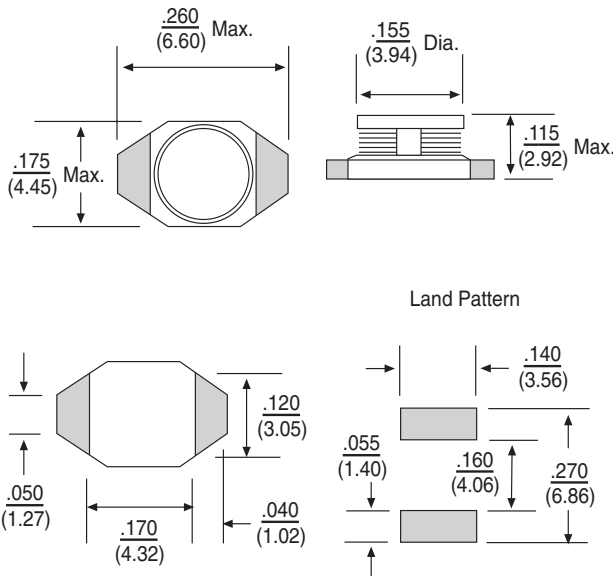


# RL-1608

## SMD POWER INDUCTORS



The RL-1608 Series offers surface mount power inductors in our smallest package with a footprint of .26" x .175". With a low cost, high energy storage and low resistance they are ideal for communication, computer and converter applications. Specifically designed with a flat top for reliable pick and place operations. Available in 19 values with inductance ratings from 1.0 $\mu$ H to 1.0mH and currents up to 2.9 Amps.



### TAPE AND REEL PACKAGING

Pieces per Reel 2500  
Plastic Reel Size 13"

ALL DIMENSIONS IN INCHES (mm)

PART NUMBER	Inductance <sup>1</sup> ( $\mu$ H $\pm$ 20%)	SRF Typ (MHz)	DCR max. (Ohms)	DC SAT <sup>2</sup> (Amps)	Rated Current <sup>3</sup> (Amps)
RL-1608-1.0	1.0	130.0	0.05	2.90	2.9
RL-1608-1.5	1.5	115.0	0.05	2.60	2.8
RL-1608-2.2	2.2	90.0	0.07	2.30	2.4
RL-1608-3.3	3.3	70.0	0.08	2.00	2.0
RL-1608-4.7	4.7	50.0	0.09	1.50	1.5
RL-1608-6.8	6.8	45.0	0.13	1.20	1.4
RL-1608-10	10	35.0	0.16	1.10	1.1
RL-1608-15	15	30.0	0.23	0.90	1.2
RL-1608-22	22	20.0	0.37	0.70	0.8
RL-1608-33	33	15.0	0.51	0.58	0.6
RL-1608-47	47	14.0	0.64	0.50	0.5
RL-1608-68	68	11.0	0.86	0.40	0.4
RL-1608-100	100	9.0	1.27	0.31	0.3
RL-1608-150	150	6.0	2.00	0.27	0.25
RL-1608-220	220	5.5	3.11	0.22	0.2
RL-1608-330	330	5.0	3.80	0.18	0.16
RL-1608-470	470	4.0	5.06	0.16	0.15
RL-1608-680	680	3.0	9.20	0.14	0.12
RL-1608-1000	1000	2.0	13.80	0.10	0.07

1. Tested at 100 kHz, 0.1 Vrms.
2. Inductance drop = 10% typ.
3.  $\Delta$ T = 40°C rise max.

Operating temperature range -40°C to +85°C.  
Storage temperature range -40°C to +105°C.  
Resistance to solder heat 260°C, 10 secs.



## RENCO ELECTRONICS, INC.

595 International Place, Rockledge, FL 32955-4200 USA

(321) 637-1000 • Toll Free Engineering Hot line 800-645-5828

Fax: (321) 637-1600 Web Site: www.rencousa.com E-mail: sales@rencousa.com