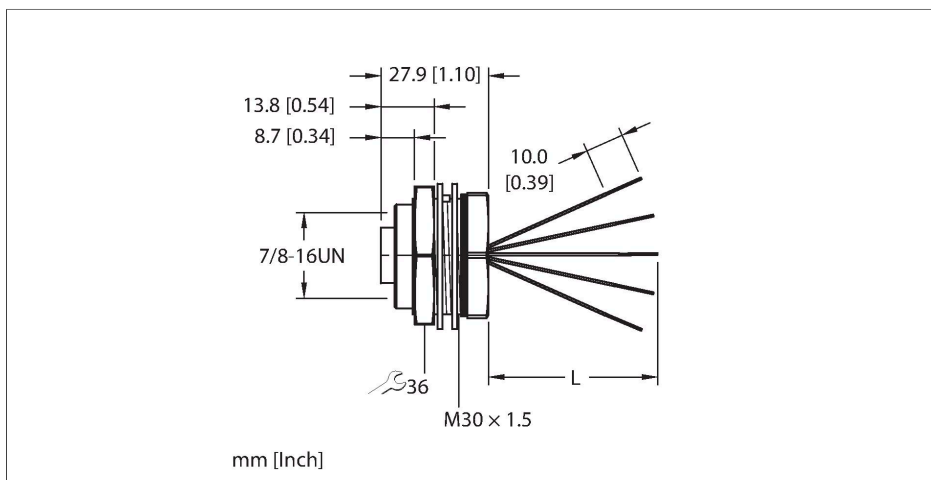


RKFP 50-xM

Actuator and Sensor Receptacle – Rear Mount



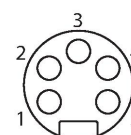
Features



- Female 7/8" minifast Receptacle, 5 pin
- Mounting thread: M30 × 1.5

Contact assignment

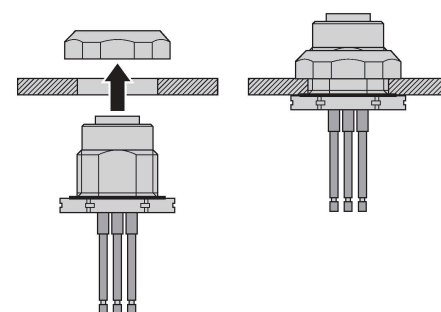
Connector A



Circuit Diagram



Rear-mounted



Technical data

Type	RKFP 50-xM
ID	777003445
Connector A	Female, 7/8"-16 UN
Number of contacts	5
Contacts	Brass, CuZn, Gold-plated
Contact carriers	Plastic, TPU, Black
Housing material/finish	Brass, CuZn, Nickel-plated
Tightening torque (range)	3.5 ... 10.2 Nm (note max. torque of mating connector!)
Mounting orientation	Rear mount
Panel seal	Gasket, plastic, NBR
Mounting thread	M30 × 1.5
Locknut	Brass, CuZn, Nickel-plated
Receptacle mounting torque	3.5...10.2 Nm
Mechanical life	> 100 Mating cycles
Pollution degree	3
Protection class (When coupled)	IP67, IP68, IP69, IP69K NEMA: 1, 3, 4, 6P, 12
Total number of conductors	5
Conductor material	TC (tinned copper)
Conductor insulation material	PVC
Conductor size	16 AWG [Similar to 1.50 mm ²]
Conductor colors	BK, BU, GN/YE, BN, WH

Technical data

Electrical properties at +20 °C

Rated voltage	600 V
---------------	-------

Current	10 A
---------	------

Mechanical and chemical properties

Ambient temperature range (static)	-40 °C...+105 °C
------------------------------------	------------------

Approvals	UL 2238 CSA C22.2 No. 182.3 CE RoHS
-----------	--

Note

- We reserve the right to make technical alterations without prior notice.