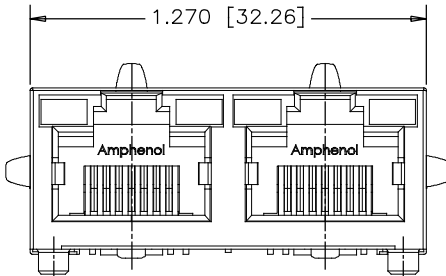
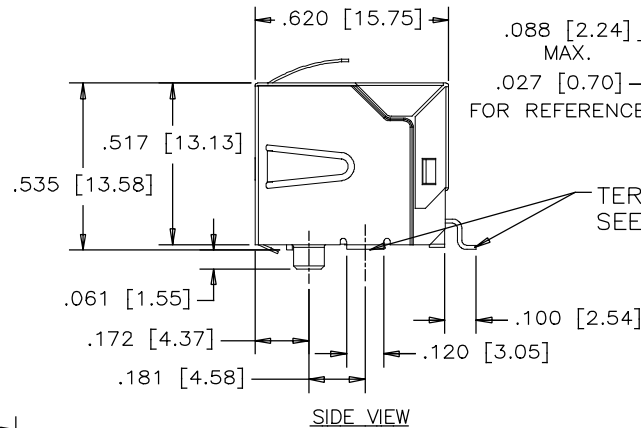


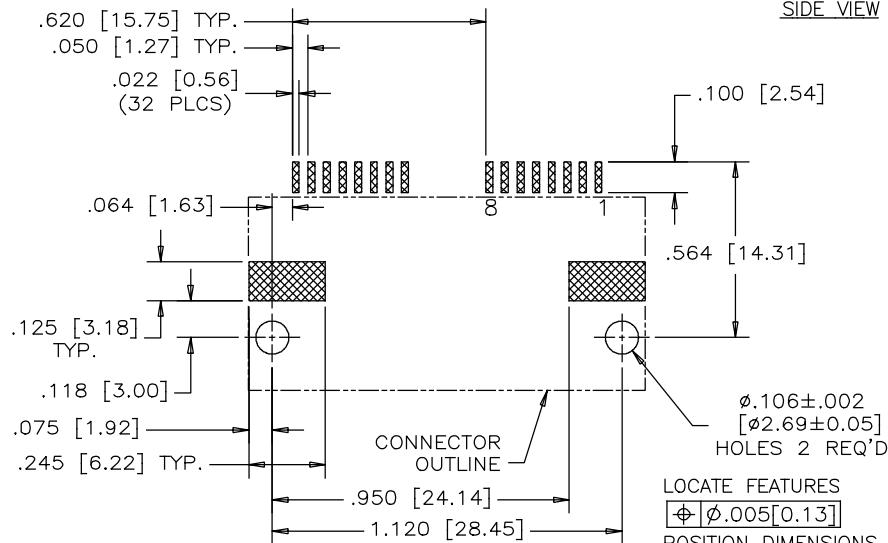
TOP VIEW



FRONT VIEW



SIDE VIEW



RECOMMENDED P.C.B. LAYOUT  
(COMPONENT SIDE OF BOARD)

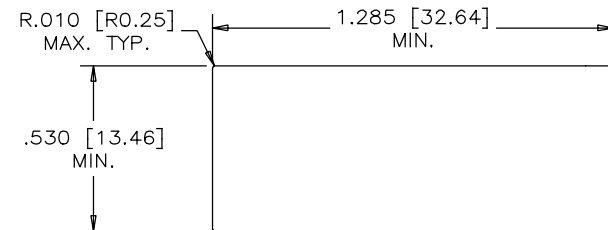
LOCATE FEATURES  
 $\phi .106 \pm .002$   
 $[\phi 2.69 \pm 0.05]$   
 HOLES 2 REQ'D  
 $\phi .005 [0.13]$   
 POSITION DIMENSIONS  
 ARE BASIC

.065 [1.65]  
FOR REFERENCE

.088 [2.24]  
MAX.  
.027 [0.70]  
FOR REFERENCE

TERMINAL TAILS  
SEE NOTE 2.

AFTER SOLDER REFLOW, LOAD LIGHT PIPE THROUGH THE  
CONNECTOR REAR ACCESS IN THE DIRECTION AS SHOWN



RECOMMENDED PANEL CUTOUT

| REVISIONS |      |  |          |        |
|-----------|------|--|----------|--------|
| SYM       | ZONE | ECN, ERN NO.                             | DATE     | APPRD. |
| B         |      | CORRECT THE PLATING OF SHIELD            | JUL27/12 | L.CHAN |
| C         |      | PROPOSAL                                 | OCT23/14 | L.CHAN |
| D         |      | UPDATED DRAWING                          | MAR12/15 | L.CHAN |
| E         |      | CORRECT DIMENSION AND PACKAGING QUANTITY | JAN19/16 | L.CHAN |

LATCH TO THE HOUSING OPENING

1. MATERIALS:  
HOUSING:

ENGINEERING THERMOPLASTIC  
FLAMMABILITY RATING UL 94V-0  
COLOR: BLACK

CONTACTS:  
PLATING:

PHOSPHOR BRONZE  
20  $\mu$ " [0.508 MICRONS] MIN. GOLD ON MATING SURFACES.  
50  $\mu$ " [1.27 MICRONS] MIN. NICKEL UNDERPLATE.  
100  $\mu$ " [2.54 MICRONS] MIN. MATTE-TIN OR GOLD FLASH ON CONTACT TAILS.

SHIELD: COPPER ALLOY PLATED NICKEL

2. COPLANARITY SPECIFICATION:

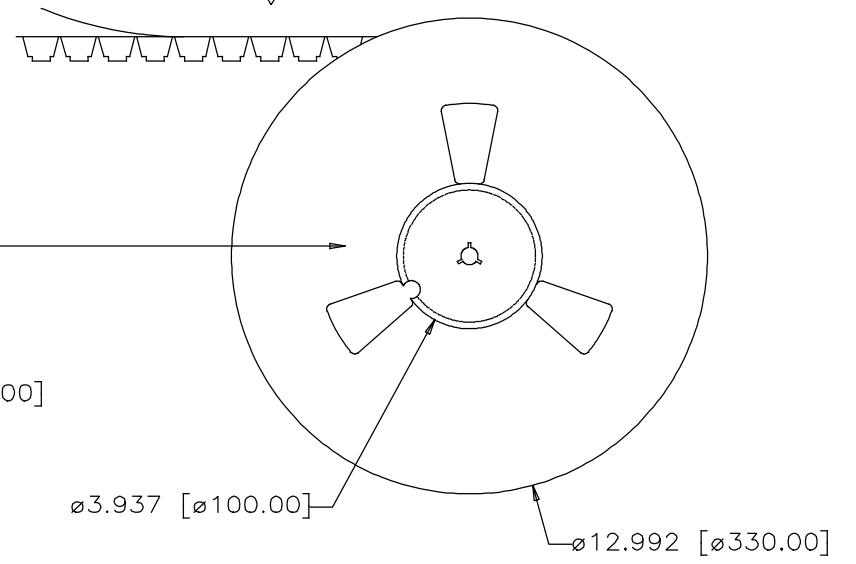
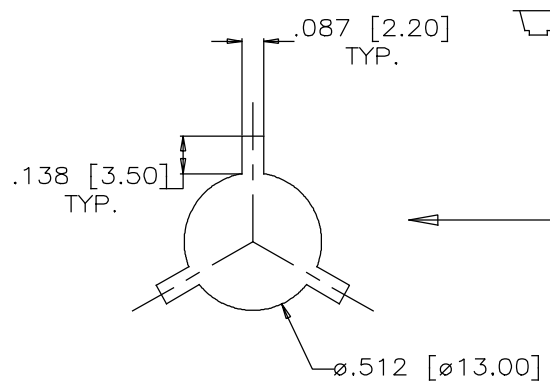
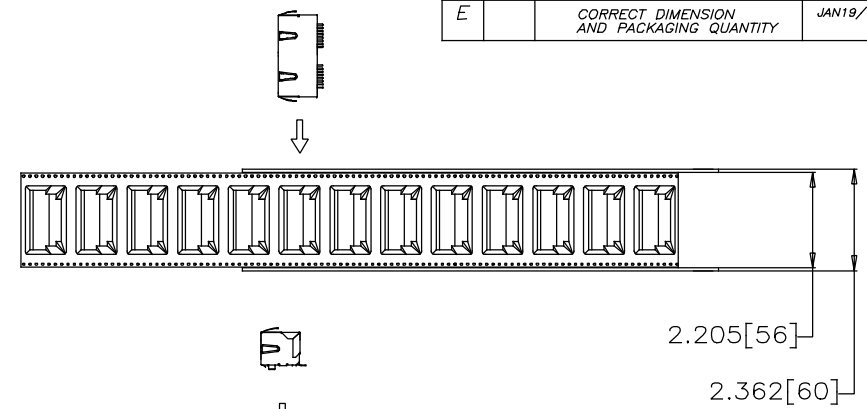
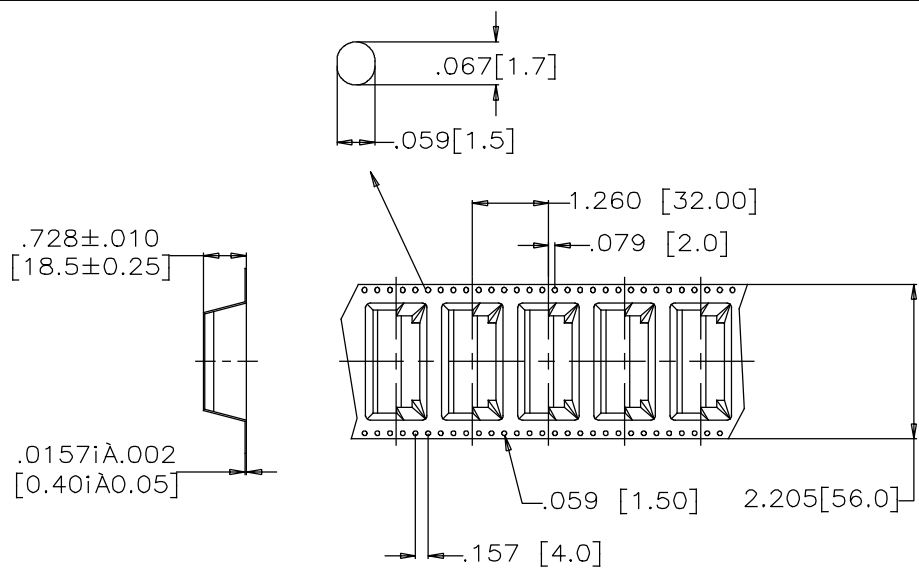
WITH THE MODULAR JACK SITTING ON A LEVEL SURFACE,  
THE MAXIMUM GAP BETWEEN THE LEVEL SURFACE OF SHIELD  
TAB AND ALL TERMINAL TAILS IS .004 [0.10].

PART NUMBER: RJSSE-5380-02T

|                   |                   |              |             |                  |   |
|-------------------|-------------------|--------------|-------------|------------------|---|
| MATERIAL<br>----- | DRAWN             | Edwin.Qu     | DATE        | MAR05/12         | Amphenol Canada Corp.                   |
|                   | DESIGNED          |              |             |                  |   |
|                   | CHECKED           | L.CHAN       |             | MAR05/12         |   |
|                   | I. E. APPRD.      | Andy.C       |             | MAR05/12         |   |
|                   | Q. A. APPRD.      |              |             | MAR05/12         |   |
| FINISH<br>-----   | DWG. APPRD.       |              |             |                  | TITLE                                   |
|                   | ENG. REL. NO.     |              |             |                  | 2 PORT, SURFACE MOUNT, RJ45 ,MODULAR    |
|                   | REF.              |              |             |                  | JACK, 8 POSITION, 8 CONTACTS, SHIELDED, |
|                   | DIMENSIONS ARE IN | CODE ID. NO. |             |                  | -ROHS COMPLIANT                         |
|                   | INCHES [mm]       | 03554        |             |                  |   |
|                   | DWG               | C            | DRAWING NO. | P-RJSSE-5380-02T | REV.                                    |
|                   |                   |              |             |                  | E                                       |
|                   | SCALE             | 3/1          | WT.         |                  | SHEET                                   |
|                   |                   |              |             |                  | 1 of 1                                  |

THIS DOCUMENT CONTAINS PROPRIETARY INFORMATION AND SUCH INFORMATION  
MAY NOT BE DISCLOSED TO OTHERS FOR ANY PURPOSE OR USED FOR MANUFACTURING  
PURPOSES WITHOUT WRITTEN PERMISSION FROM AMPHENOL CANADA CORP.

| REVISIONS |      |  |          |        |
|-----------|------|--|----------|--------|
| SYM       | ZONE | ECN, ERN NO.                             | DATE     | APPRD. |
| B         |      | CORRECT THE PLATING OF SHIELD            | JUL27/12 | L.CHAN |
| C         |      | PROPOSAL                                 | OCT23/14 | L.CHAN |
| D         |      | UPDATED DRAWING                          | MAR12/15 | L.CHAN |
| E         |      | CORRECT DIMENSION AND PACKAGING QUANTITY | JAN19/16 | L.CHAN |



PACKAGING NOTES:

- ONE REEL SHOULD HOLD 100 CONNECTORS.
- 10 EMPTY CAVITIES FOR BOTH TOP AND BOTTOM OF THE CARRIER.
- A FULLY LOADED CARTON SHOULD CONTAIN 5 REELS (500 PCS) OF CONNECTOR.

|          |                               |          |              |          |  |             |                  |       |        |
|----------|-------------------------------|----------|--------------|----------|--|-------------|------------------|-------|--------|
| MATERIAL | DRAWN                         | Edwin.Qu | DATE         | MAR05/12 | Amphenol Canada Corp.  |             |                  |       |        |
|          | DESIGNED                      |          |              |          |  |             |                  |       |        |
| FINISH   | CHECKED                       | L.CHAN   | DATE         | MAR05/12 | TITLE<br>2 PORT, SURFACE MOUNT, RJ45 ,MODULAR JACK, 8 POSITION, 8 CONTACTS,SHIELDED, -ROHS COMPLIANT |             |                  |       |        |
|          | I. E. APPRD.                  | Andy.C   | DATE         | MAR05/12 |  |             |                  |       |        |
|          | Q. A. APPRD.                  |          | DATE         | MAR05/12 |  |             |                  |       |        |
|          | DWG. APPRD.                   |          |              |          |  |             |                  |       |        |
|          | ENG. REL. NO.                 |          |              |          | DWG  | DRAWING NO. | P-RJSSE-5380-02T | REV.  | E      |
|          | REF.                          |          |              |          | C  |             |                  |       |        |
|          | DIMENSIONS ARE IN INCHES [mm] |          | CODE ID. NO. | 03554    | SCALE  | WT.         | SURF.            | SHEET | 2 OF 2 |

THIS DOCUMENT CONTAINS PROPRIETARY INFORMATION AND SUCH INFORMATION MAY NOT BE DISCLOSED TO OTHERS FOR ANY PURPOSE OR USED FOR MANUFACTURING PURPOSES WITHOUT WRITTEN PERMISSION FROM AMPHENOL CANADA CORP.