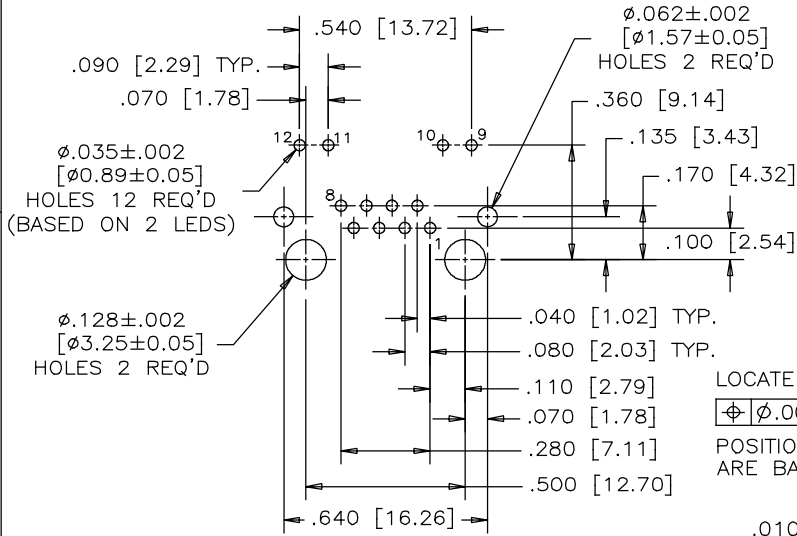
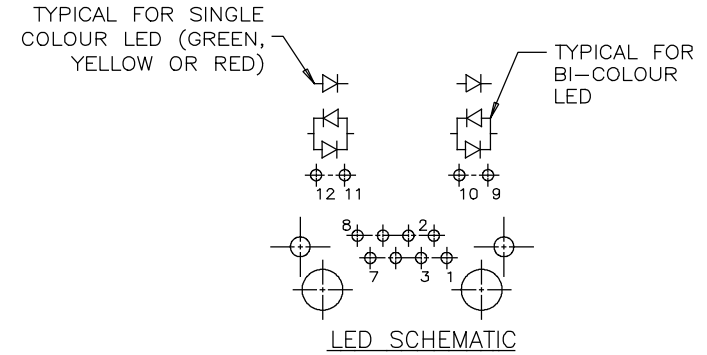
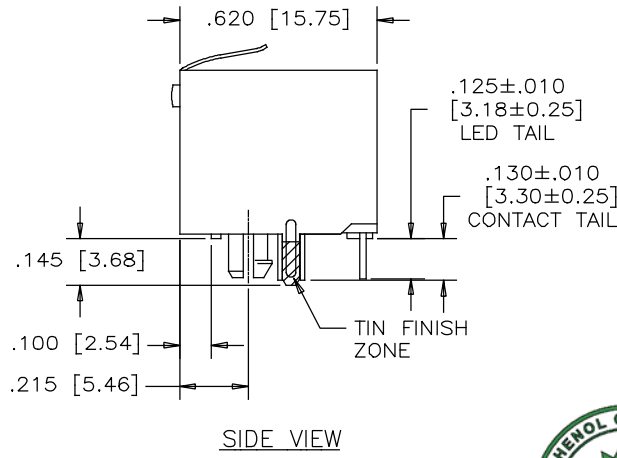
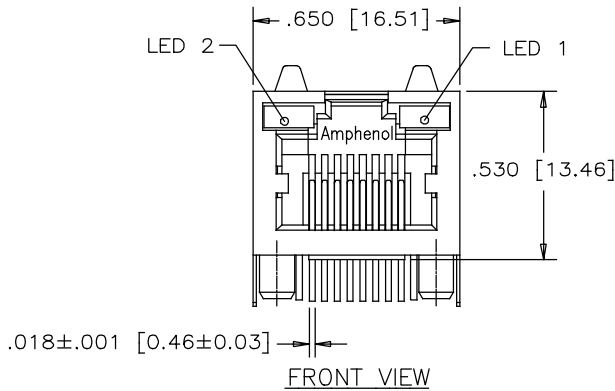
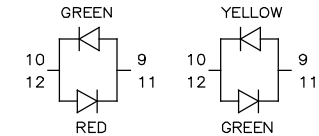
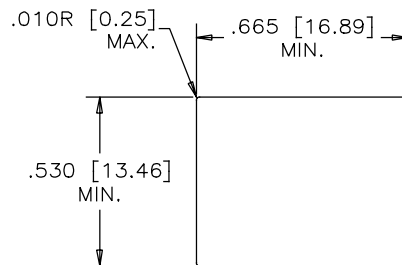


REVISIONS			
SYM	ECN, ERN NO.	DATE	APPRD.
B	PROPOSAL	12/29/2009	LCHAN
C	PROPOSAL	02/21/2012	LCHAN
D	CHANGE TO TIN FINISH	JUN 19/17	LCHAN



LOCATE HOLES
 $\phi \phi .005 [0.13]$
 POSITION DIMENSIONS
 ARE BASIC



MATERIALS:

PLASTIC HOUSING: HIGH ENGINEERING THERMOPLASTIC
 FLAMMABILITY RATING UL 94V-0, COLOR BLACK

CONTACTS:

PHOSPHOR BRONZE
 PLATING: 50 μ " [1.27 MICRONS]
 MIN. GOLD ON MATING SURFACES.
 50 μ " [1.27 MICRONS]
 MIN. NICKEL UNDERPLATE
 100 μ " [2.54 MICRONS]
 MIN. MATTE TIN ON CONTACT TAILS.

SHIELD:

STAINLESS STEEL WITH TIN FINISH ON SOLDER TAIL

AMPHENOL PART NUMBER: RJHSE-538X-A1X

REFER TO LED OPTIONS DRAWING
 FOR ORDERING CODES

DRAWN PAULW	DATE 05/12/29
DESIGNED	
CHECKED CHIGOW	05/12/29
I. E. APPRD.	
Q. A. APPRD.	
DWG. APPRD.	
ENG. REL. NO.	
REF.	
DIMENSIONS ARE IN INCHES [mm]	CODE ID. NO. 03554

Amphenol Canada Corp.

TITLE SINGLE PORT HIGH SPEED MODULAR JACK
 CONNECTOR, SHIELDED WITH LED'S .130" LONG
 CONTACT TAILS-ROHS COMPLIANT

DWG	DRAWING NO.	REV.
	P-RJHSE-538X-A1X	D
SCALE	WT. -----	SURF. -----
		SHEET 1 OF 1

THIS DOCUMENT CONTAINS PROPRIETARY INFORMATION AND SUCH INFORMATION
 MAY NOT BE DISCLOSED TO OTHERS FOR ANY PURPOSE OR USED FOR MANUFACTURING
 PURPOSES WITHOUT WRITTEN PERMISSION FROM AMPHENOL CANADA CORP.