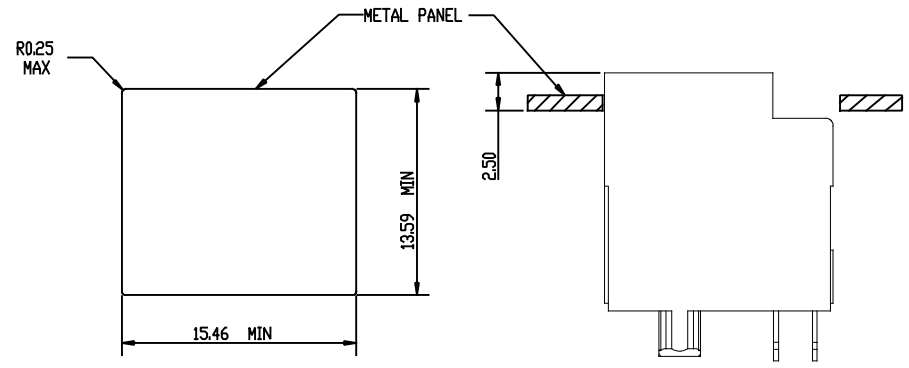
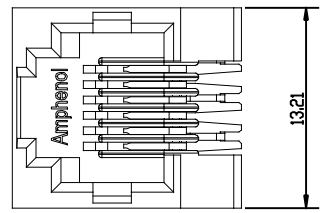
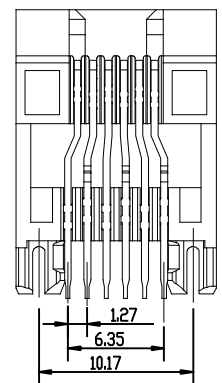
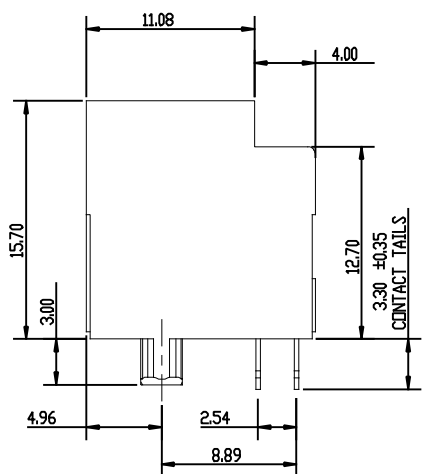


REVISIONS			
REV	DESCRIPTION, EDN, EAR NO.	DATE	APP'D
A	PROPOSAL	MAR31/16	LCHAN
B	REVISE THE NOTES	FEB 24/17	LCHAN



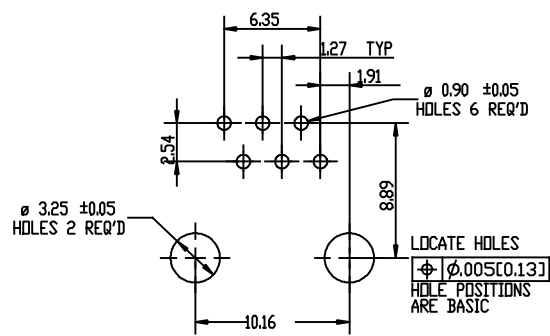
RECOMMENDED PANEL CUTOUT



MATERIALS:  
 PLASTIC HOUSING: HIGH TEMPERATURE THERMOPLASTIC  
 FLAMMABILITY RATING UL 94V-0. COLOUR BLACK.  
 CONTACT: PHOSPHOR BRONZE.  
 CONTACT PLATING: SELECTIVE GOLD PLATING ON MATING SURFACES.  
 SEE PART NO. FOR THICKNESS.  
 50u" [1.27 MICRONS] MIN. NICKEL UNDERPLATE.  
 100u" [2.54 MICRONS] MIN. MATTE-TIN ON CONTACT TAILS.

AMPHENOL PART NUMBER: RJE1J-166-0X10

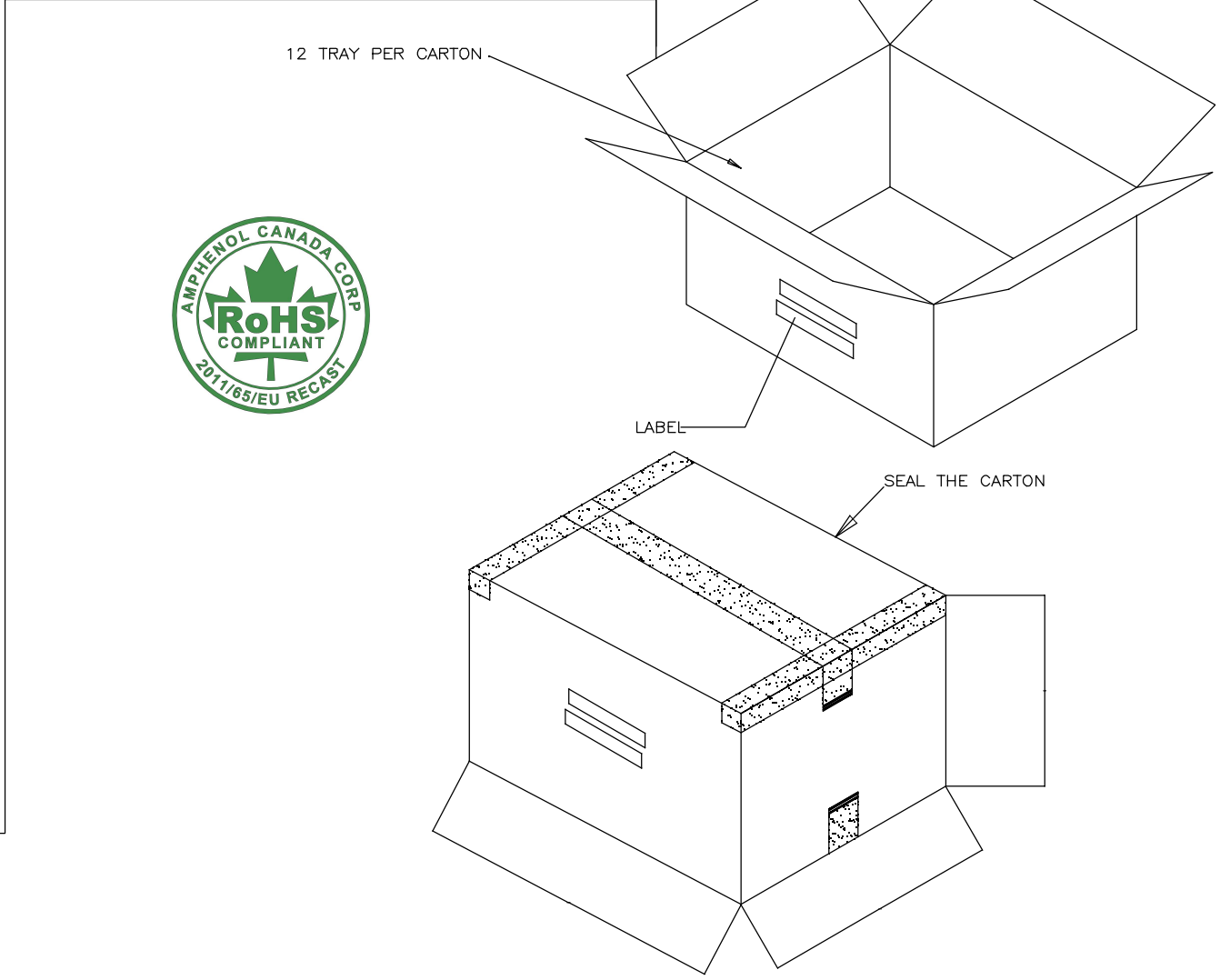
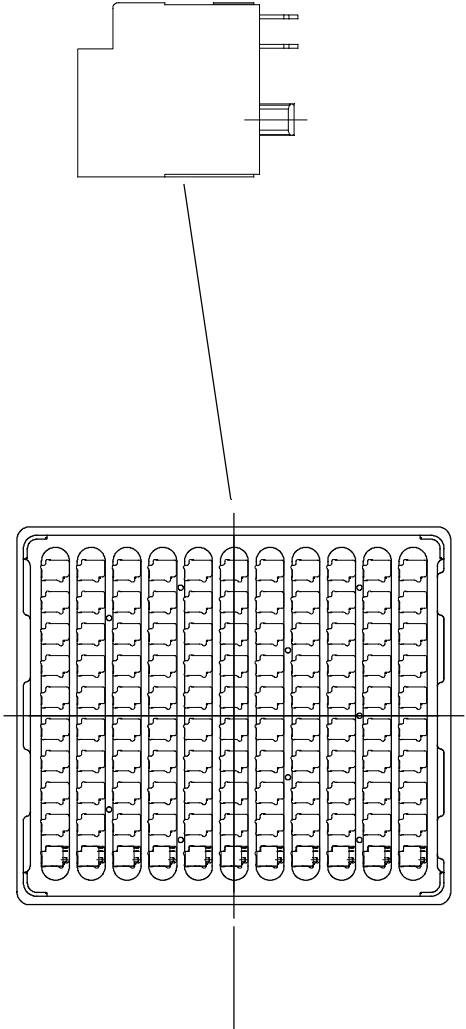
- Gold plating:
- 0. gold plating (1~3u")
- 1. 6u" gold plating
- 2. 15u" gold plating
- 3. 30u" gold plating
- 4. 50u" gold plating



RECOMMENDED P.C.B. LAYOUT  
 (COMPONENT SIDE OF BOARD)  
 PCB THICKNESS: 1.57MM  
 TOLERANCE: +/-0.05MM

UNLESS SPECIFIED OTHERWISE	DRAWN	FRANK.W	MAY16/14	Amphenol Canada Corp.
PRIMARY UNITS	CHECKED	LCHAN	MAY16/14	
SECONDARY	M.E. APP'D			MODULAR JACK, SINGLE PORT, VERTICAL MOUNT, 6P6C, WITHOUT SHIELD. TRAY PACKAGING - RoHS COMPLIANT
REFERENCE IN PARENTHESES	O.A. APP'D			
GENERAL TOLERANCES	DWG APPR.			P-RJE1J-166-0X10
1 DECIMAL PLACE	±0.38	ENG. REL. NO.		
2 DECIMAL PLACES	±0.20	REF.		REV B
3 DECIMAL PLACES				CODE ID NO. 03554 DWG SIZE: X SCALE: 4:1 SHEET 1 OF 2
ANGULAR DEGREES	±1.0 °	THIRD ANGLE PROJECTION		

REVISIONS				
SYM	ZONE	ECN, ERN NO.	DATE	APPRD.
A		PROPOSAL	MAR31/16	L.CHAN
B		REVISE THE NOTES	FEB 24/17	L.CHAN



**PACKAGING NOTES:**

1. 110PCS CONNECTORS PER TRAY
2. 12 TRAY PER CARTON (1320 PCS CONNECTORS PER CARTON)

THIS DOCUMENT CONTAINS PROPRIETARY INFORMATION AND SUCH INFORMATION MAY NOT BE DISCLOSED TO OTHERS FOR ANY PURPOSE OR USED FOR MANUFACTURING PURPOSES WITHOUT WRITTEN PERMISSION FROM AMPHENOL CANADA CORP.

DRAWN	FRANK.W	DATE	MAR31/16
DESIGNED			
CHECKED	L.CHAN	DATE	MAR31/16
I. E. APPRD.			
Q. A. APPRD.			
DWG. APPRD.			
ENG. REL. NO.			
REF.			
DIMENSIONS ARE IN	CODE ID. NO.		
INCHES [mm]	03554		

Amphenol Canada Corp.			
TITLE MODULAR JACK, SINGLE PORT, VERTICAL MOUNT, 6P6C, WITHOUT SHIELD. TRAY PACKAGING - RoHS COMPLIANT			
DWG	DRAWING NO.		REV.
	P-RJE1J-166-0X10		B
SCALE	WT.	SURF.	SHEET 2 OF 2