

Now you're connected!

About Amphenol Commercial Products

Amphenol's commercial connector products are used in a variety of end user applications including networking, telecom, server & computer, storage & HDD, consumer electronics and entertainment, professional audio & Industrial & Military/Aerospace.

Related Products

RJSSE

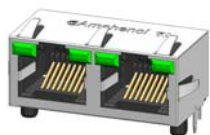


P/N RJSSE-5381 SHOWN
SINGLE PORT, 8 POSITION,
WITH SHIELD AND LIGHT PIPE

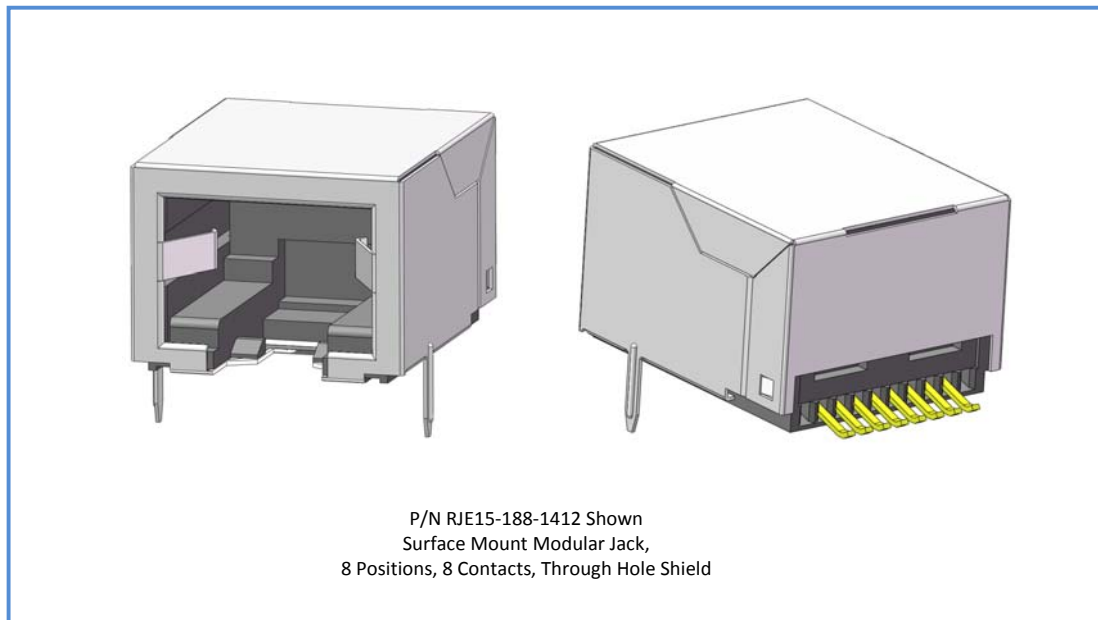
RJHSE



P/N RJHSE-3081 SHOWN
SINGLE PORT VERTICAL MOUNT,
NO SHIELD, WITH LEDs



P/N RJHSE-5385-02 SHOWN
TWO PORT REGULAR MOUNT,
WITH SHIELD AND LEDs



P/N RJE15-188-1412 Shown
Surface Mount Modular Jack,
8 Positions, 8 Contacts, Through Hole Shield

Overview

This product specification defines the general use and performance parameters for Amphenol's RJE15 series of modular jacks.

Availability: Single port, 4P4C, 6P6C, 8P8C, 10P10C available with boardlock and shielding option.

Usage

The RJE15 series of modular jack supports Ethernet Protocols.

Applications

Intended for use in applications such as:
Networking & Telecom

- Wireless (WiMAX)
- Network servers
- Hubs, routers, switches

Office & Home Equipment

- PC's, Laptops, Copiers/Printers
- Telephones, modems
- Surge Protectors
- ATMs, Vending Machines

Consumer Goods

- Security Systems
- Set Top Boxes
- Video Game Systems

Miscellaneous

- Multi-Media Equipment
- Industrial Equipment
- POS Terminals

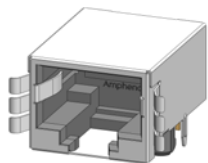
Now you're connected!

About Amphenol Commercial Products

Amphenol's commercial connector products are used in a variety of end user applications including networking, telecom, server & computer, storage & HDD, consumer electronics and entertainment, professional audio & Industrial & Military/Aerospace.

Related Products

RJULE



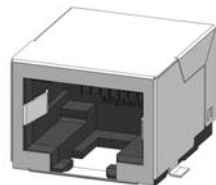
P/N FJULE-4X182-01 SHOWN
SINGLE PORT REGULAR MOUNT,
STANDARD SHIELD WITH SMT

FRJAE



P/N FRJAE-418 SHOWN
SINGLE PORT, 8 POSITION,
WITH FERRITE FILTER AND
SHIELD (FRONT TABS)

RJLSE



P/N RJLSE-41181-01 SHOWN
SINGLE PORT REGULAR MOUNT,
STANDARD SHIELD WITH SMT

Electrical Characteristics

Contact resistance:	25 mΩ max.
Insulation resistance:	1000 MΩ minimum at 500V DC for 2 minutes max.
Current rating:	1.5 Amps
Voltage rating:	125 Volts AC
DWV	1000 VAC, 60 Hz. 1 min.

Mechanical Characteristics

Mating connector insertion force: 5.0 lbs. Maximum.
Mating connector pull retention force: 20 lbs Minimum.
Durability: 750 mating & unmating cycles

Recommended soldering temperature:
Suitable for IR Reflow

Operating temperature: -40° C to +70° C

Material Requirements

RJE15 connectors are RoHS compliant.
Unless otherwise specified, the materials for each component shall be:

Insulator:

- High Temp thermoplastic material - Complies with UL 94V-0, Black color

Contacts:

- Phosphor Bronze hard temper with gold thickness options (6μ", 15μ", 30μ", 50μ") over 50μ" minimum Nickel on contact mating area.
- 100μ" minimum matte tin or gold flash plating on tail area.

Shield:

- Copper Alloy, Nickel plating over all

Available Documents

Drawing Numbers:

P-RJE15-144-0X10	SINGLE-PORT MODULAR JACK, 4 POSITIONS, 4 CONTACTS, SURFACE MOUNT, WITHOUT SHIELD-RoHS COMPLIANT
P-RJE15-166-1X10	SURFACE MOUNT MODULAR JACK, SINGLE PORT, LOW PROFILE, 6 POSITIONS, 6 CONTACTS, SHIELDED-RoHS COMPLIANT
P-RJE15-188-0X10	SURFACE MOUNT MODULAR JACK 8 POSITIONS, 8 CONTACTS, WITHOUT SHIELD-RoHS COMPLIANT
P-RJE15-188-1X10	SURFACE MOUNT MODULAR JACK, 8 POSITIONS, 8 CONTACTS, SHIELDED-RoHS COMPLIANT
P-RJE15-188-1X10-T	SURFACE MOUNT MODULAR JACK, 8 POSITIONS, 8 CONTACTS, SHIELDED, T&R PACKAGING- RoHS COMPLIANT
P-RJE15-1AA-1X10	SURFACE MOUNT MODULAR JACK, SINGLE PORT, LOW PROFILE, 10 POSITIONS, 10 CONTACTS, SHIELDED-RoHS COMPLIANT

Contact factory or Authorized Amphenol representative for additional configurations.