
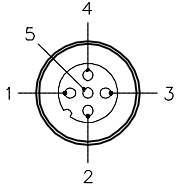

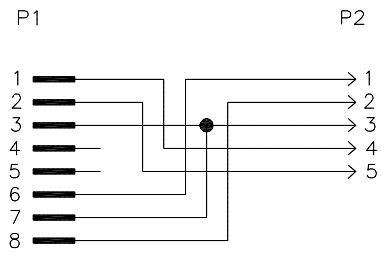
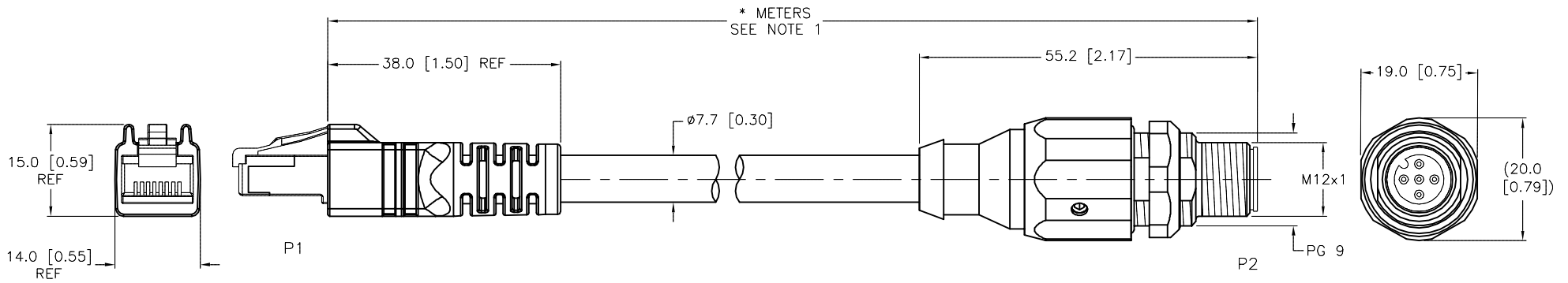
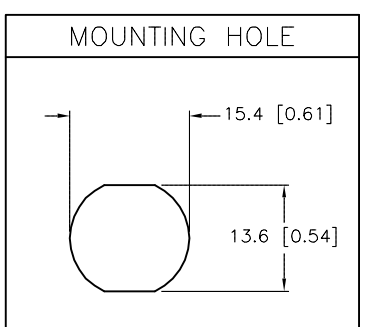


RJ45S END VIEW	MALE END VIEW	WIRING DIAGRAM	SPECIFICATIONS	
 <p>12345678</p> <p>1 = WHT/ORG (CAN_H) 2 = ORANGE (CAN_L) 3 = WHT/GRN (CAN_GND) 4 = N/C 5 = N/C 6 = GREEN (CAN_SHLD) 7 = WHT/BRN (CAN_GND) 8 = BROWN (CAN_V+)</p>	 <p>1 = GREEN (SHIELD) 2 = BROWN (V+) 3 = WHITE/GREEN WHITE/BROWN (V-) 4 = WHITE/ORANGE 5 = ORANGE</p> 		CONTACT CARRIER MATERIAL (P2)	NYLON OR TPU
			MOLDED HEAD MATERIAL/COLOR (P2)	TPU/BLUE-GRAY
			CONTACT MATERIAL/PLATING (P2)	BRASS/GOLD
			COUPLING NUT MATERIAL/PLATING (P2)	BRASS/NICKEL
			CONTACT CARRIER MATERIAL/COLOR (P1)	POLYCARBONATE/CLEAR
			MOLDED HEAD MATERIAL/COLOR (P1)	TPU/BLUE-GRAY
			CONTACT MATERIAL/PLATING (P1)	BRONZE/GOLD
			RATED CURRENT [A]	1.5 A
			RATED VOLTAGE [V]	42 V
			OUTER CABLE JACKET MATERIAL/COLOR	TPE/TEAL
			CONDUCTOR INSULATION MATERIAL	HDPE
			NUMBER OF CONDUCTORS [AWG]	4UTPx24 AWG, STRANDED
			SHIELDING	ALUM.-POLYESTER FOIL, TINNED-COPPER BRAIDED
			TEMPERATURE RANGE	-40°C to +80°C (-40°F to +176°F)
			PROTECTION CLASS	MEETS IEC IP67 (RJ45:IP20)
			MAX. PANEL THICKNESS	3.0mm [0.12"]



CABLE LENGTH	TOLERANCE*
ALL LENGTHS	+ 4% (OR 50mm) OF LENGTH - 0% (OR 0mm) OF LENGTH WHICHEVER IS GREATER
STRIP LENGTH	TOLERANCE*
0-7mm	±0.5mm
8-29mm	±1.0mm
30-49mm	±2.0mm
50-69mm	±3.0mm
70-100mm	±4.0mm
OVER 100mm	±5.0mm

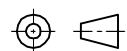
\* UNLESS OTHERWISE SPECIFIED



"841" RAW CABLE SPECIFICATIONS	
CABLE PROPERTIES:	OIL, UV, WELD SLAG, AND ABRASION RESISTANT
VOLTAGE RATINGS (MAX):	600V
CATEGORY:	CAT 5e; (CABLE WILL MEET CAT 5e CHANNEL REQUIREMENTS TO 90M LENGTH)
POE COMPLIANT (802.3af):	UP TO 80M LENGTH WHEN INSTALLED PER RECOMMENDATIONS IN TIA TSB-184
FLEXLIFE:	10X CABLE OD MIN: 1 MILLION CYCLES (TICK TOCK) 20X CABLE OD MIN: 10 MILLION CYCLES (TICK TOCK) TORSION TEST: 3 MILLION CYCLES (11b LOAD, 360°-71 CYCLES/min)
APPROVALS:	C(UL)US CMX-OUTDOOR-CM LISTED, AWM RECOGNIZED COMPLIANT WITH NEC ARTICLE 800 COMMUNICATIONS CABLES

SOURCE DRAWING - FOR REFERENCE ONLY

NOTES:  
1. "\*" INDICATES CABLE LENGTH IN METERS. CONTACT TURCK TO ORDER SPECIFIC LENGTHS.

RELATED DOCUMENTS	3RD ANGLE PROJECTION	THIS DRAWING IS CONFIDENTIAL AND THE PROPERTY OF TURCK INC. USE OF THIS DOCUMENT WITHOUT WRITTEN PERMISSION IS PROHIBITED.		3000 CAMPUS DRIVE MINNEAPOLIS, MN 55441 1-800-544-7769 (763) 553-7300 (763) 553-0708 fax turck.com	
1.		DRFT	RDS	DATE	04/14/06
2.		APVD		SCALE	1=1.0
3.	ALL DIMENSIONS DISPLAYED ON THIS DRAWING ARE FOR REFERENCE ONLY  CONTACT TURCK FOR MORE INFORMATION	UNIT OF MEASUREMENT		DESCRIPTION	
4.		MILLIMETER [ INCH ]		RJ45S FSSDE 5733-*M	
MATERIAL		IDENTIFICATION NO.		REV	
FINISH				K	
DO NOT SCALE THIS DRAWING		FILE: 777011943		SHEET 1 OF 1	

K	UPDATE COUPLING NUT MATERIAL	RDS	09/10/14	47144
REV	DESCRIPTION	BY	DATE	ECO NO.