

RHW-56/16-1200/ADH-0 ✓ ACTIVE

RAYCHEM | RAYCHEM RHW

TE Internal #: CX6255-000

Black, 3.5:1, Dual Wall Tubing, Shrinks To .63 in [16 mm], Irradiated Modified Polyolefin, 2.205 in [56 mm] Inner Diameter, RAYCHEM RHW

[View on TE.com >](#)



Heat Shrink Tubing > RHW Heat Shrink Tubing



Primary Product Color: **Black**

Wall Type: **Dual Wall**

Expanded Inside Diameter (Min): **56 mm [2.205 in]**

Recovered Inside Diameter (Max): **16 mm [.63 in]**

Shrink Ratio: **3.5:1**

[All RHW Heat Shrink Tubing \(14\)](#)

Features

Product Type Features

Wall Type	Dual Wall
-----------	-----------

Electrical Characteristics

Operating Voltage (Max)	.6 kV
-------------------------	-------

Body Features

Fluid Type	VDE 0370 Oil, Water
Primary Product Color	Black
Shrink Ratio	3.5:1
Primary Product Material	Irradiated Modified Polyolefin
Flexibility	Semi-Rigid

Dimensions

Recovered Wall Thickness (Tolerance)	4.39 mm[.173 in]
Product Length	1200 mm[47.244 in]
Expanded Inside Diameter (Min)	56 mm[2.205 in]
Recovered Inside Diameter (Max)	16 mm[.63 in]

Usage Conditions

--	--



Shrink Temperature (Min)	110 °C
Resistance Properties	Moisture
Tubing Flammability Type	Non-Flame-Retardant
Operating Temperature Range	-40 – 110 °C
Recovery Temperature	125 °C

Operation/Application

Mechanical Resistance	Abrasion, Fluids, Impact, Mechanical Damage, Strain Relief
-----------------------	--

Product Availability

Applicable Region	Global
-------------------	--------

Packaging Features

Packaging Method	Piece
------------------	-------

Other

Meets Low Outgassing Requirements	No
Product Source	Czech Republic

Product Compliance

[For compliance documentation, visit the product page on TE.com>](#)

EU RoHS Directive 2011/65/EU	Compliant
EU ELV Directive 2000/53/EC	Compliant
China RoHS 2 Directive MIIT Order No 32, 2016	No Restricted Materials Above Threshold
EU REACH Regulation (EC) No. 1907/2006	Current ECHA Candidate List: JUNE 2024 (241) Candidate List Declared Against: JAN 2023 (233) Does not contain REACH SVHC
Halogen Content	Low Halogen - Br, Cl, F, I < 900 ppm per homogenous material. Also BFR/CFR/PVC Free
Solder Process Capability	Not reviewed for solder process capability

Product Compliance Disclaimer

This information is provided based on reasonable inquiry of our suppliers and represents our current actual knowledge based on the information they provided. This information is subject to change. The part numbers that TE has identified as EU RoHS compliant have a maximum concentration of 0.1% by weight in homogenous materials for lead, hexavalent chromium, mercury, PBB, PBDE, DBP, BBP, DEHP, DIBP, and 0.01% for cadmium, or qualify for an exemption to these limits as defined in the Annexes of Directive 2011/65/EU (RoHS2). Finished electrical and electronic equipment products will be CE marked as required by Directive 2011/65/EU. Components may not be CE marked. Additionally, the part numbers that TE has identified as EU ELV compliant have a maximum concentration of 0.1% by weight in homogenous



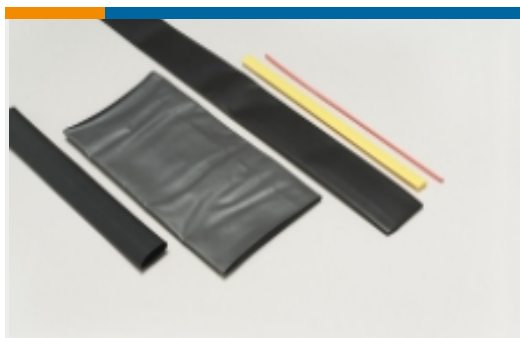
materials for lead, hexavalent chromium, and mercury, and 0.01% for cadmium, or qualify for an exemption to these limits as defined in the Annexes of Directive 2000/53/EC (ELV). Regarding the REACH Regulation, the information TE provides on SVHC in articles for this part number is based on the latest European Chemicals Agency (ECHA) 'Guidance on requirements for substances in articles' posted at this URL: <https://echa.europa.eu/guidance-documents/guidance-on-reach>

Compatible Parts



TE Part # EG1114-000
CV1981-ST-230V1600W-EU

Also in the Series | RAYCHEM RHW

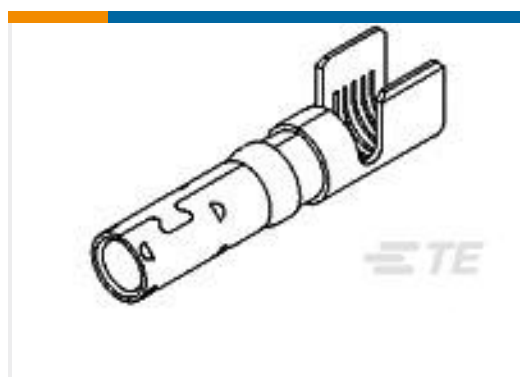


Heat Shrink Tubing(14)

Customers Also Bought



TE Part #CX7205-000
RHW Heat Shrink Tubing



TE Part #213843-4
PWRBAND SKT CNT ASSY,8-10,L.P.



TE Part #202508-1
CONTACT SOCKET ASSY.



TE Part #3580590030
TRSA-1019/C/1/F

Documents

Product Drawings

[RHW-56/16-1200/ADH-0](#)

English

Datasheets & Catalog Pages

[Measuring_Single_Wall_Tubing](#)

English

[Selecting_Correct_Tubing_1216](#)



English

Product Specifications

Application Specification

English

Instruction Sheets

Instruction Sheet (non U.S.)

English