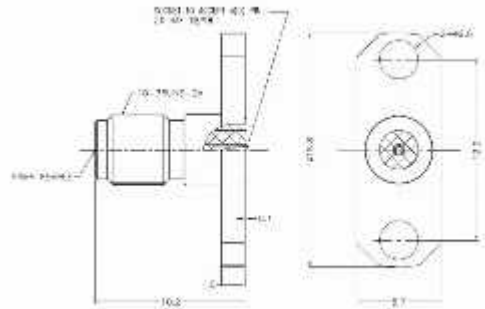


# RFSSMAA2JCEC Datasheet

## Product Name // SSMA Straight Jack 2 Hole Flange RF Connector

[View Product Page](#)

\* Representative product image only



### // Product Description:

- ⊞ SSMA Straight Jack 2 Hole Flange RF Connector
- ⊞ Maximum Voltage: 335V
- ⊞ Temperature range: -65Å°C to +165Å°C
- ⊞ Frequency range: 0GHz - 40GHz
- ⊞ VSWR:
- ⊞ Dielectric withstanding Voltage: >500V
- ⊞ Impedance: 50Ohm
- ⊞ Body Material: Stainless Steel Passivation
- ⊞ Contact Material: Beryllium Copper

### // General Information:

Product Display Title:	SSMA Series Socket 2 Hole Flange
Product Family:	Radio Frequency Connectors
Product Series:	SSMA Series
Body Length:	10.20mm
Body Material:	Stainless Steel Passivation
Centre Contact Retention Force:	>26.7N
Contact Pin Material:	Beryllium Copper
Min Coupling Torque:	0.80Nm
Max Coupling Torque:	1.10Nm
Dielectric Withstanding Voltage:	>500V
Durability:	>500 cycles
Flange Mount Length:	12.70mm
Function:	Female Flange Mount RF Connector
Impedance:	50Ohm
Insulation Resistance:	>5000MOhm
Insulator:	Adapter ASTM D 1710
Max Operating Temperature:	+165°C
Min Operating Temperature:	-65°C
Mount Hole Distance:	8.90mm
Min Operating Frequency:	0GHz
Max Operating Frequency:	40GHz
Socket Diameter:	0.38mm
Thread Size:	10 36UNS 2A
Voltage Max:	335V
Vswr:	<1.30

### // Product PDF Links

[SSMA Series Product Datasheet](#)


Have a question or project enquiry  
you'd like to talk to us about?



[Click Here To Contact Us](#)