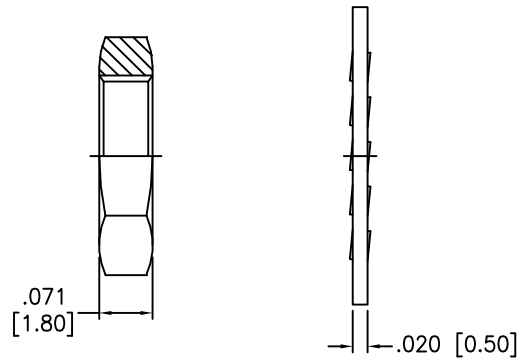
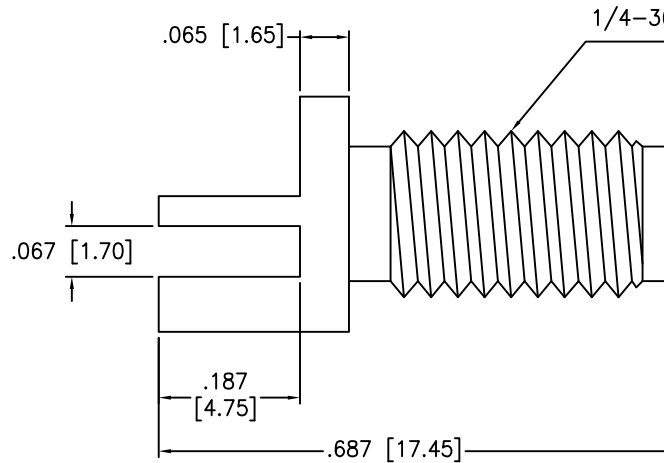
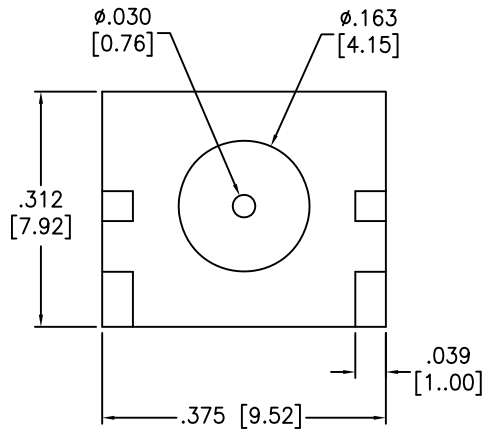


APPROVED: \_\_\_\_\_  
 DATE: \_\_\_\_\_ TITLE: \_\_\_\_\_

| Rev | AWO # | Description  | Date     | Appr  |
|-----|-------|--------------|----------|-------|
| -   |       | RELEASED     | 4/22/04  |       |
| A   |       | REDRAWN      | 3/09/11  |       |
| B   |       | REVISED DIM. | 10/21/14 | HR/NP |



|             |          |        |
|-------------|----------|--------|
| BODY        | BRASS    | GOLD   |
| PIN         | BRASS    | GOLD   |
| INSULATOR   | TEFLON   | NONE   |
| DESCRIPTION | MATERIAL | FINISH |

**SPECIFICATIONS:**

Electrical:  
 Frequency range: 0–18 GHz  
 Working Voltage: 250 VRMS max.  
 Dielectric Withstanding Voltage: 750 VRMS min.  
 Contact Resistance: 6 Milliohms max. (Center Contact)  
 2 Milliohms max. (Outer Contact)  
 Insulator Resistance: 5000 Megohms min.  
 Environmental:  
 Lead free, RoHS compliant.



UNLESS OTHERWISE SPECIFIED  
 ALL DIMENSIONS ARE INCHES [MM]  
 TOLERANCES: EXCEPT AS NOTED  
 INCHES HOLES

|             |             |
|-------------|-------------|
| .X ± .10    | ∅X ± .10    |
| .XX ± .020  | ∅XX ± .015  |
| .XXX ± .015 | ∅XXX ± .010 |

**ADAM TECH**

909 Rahway Avenue, Union, NJ 07083  
 Phone: 908-687-5000 Fax: 908-687-5710

TITLE

SMA JACK PCB, 50 OHMS

| APPROVALS |     | DATE    |
|-----------|-----|---------|
| DRAWN     | BAS | 4/22/04 |
| CHECKED   |     |         |
| APPROVED  |     |         |

| SIZE | PART NO.         | REV.         |
|------|------------------|--------------|
| X    | RF2-17-T-17-50-G | B            |
| REF: | S00011T          | SCALE: NTS   |
|      |                  | SHEET 1 OF 1 |