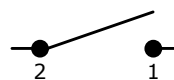


SUGGESTED PANEL CUTOUT

PANEL THICKNESS	(X)
0.75 TO 1.25	23.3
1.25 TO 2.00	23.6
2.00 TO 3.00	23.9

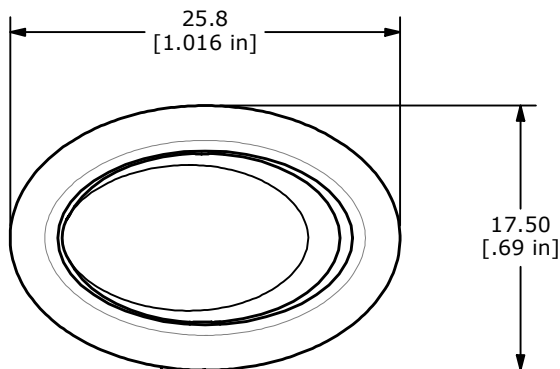
SWITCH FUNCTION		
POS. 1	POS. 2	POS. 3
OFF	N/A	ON
OPEN	N/A	2-1



CIRCUIT: SPST

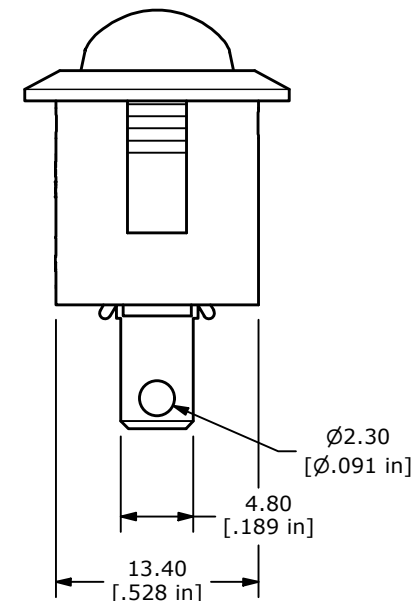
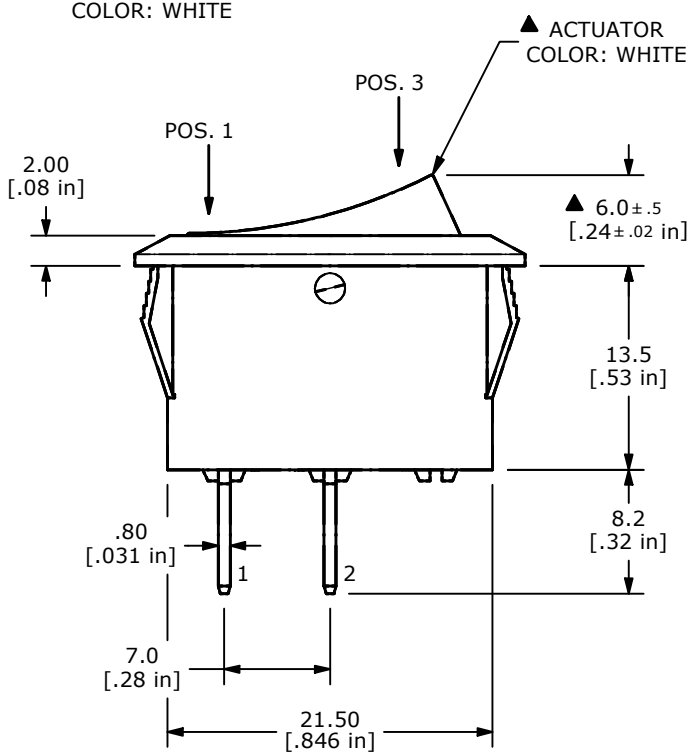
NOTE:

1. ALL DIMENSIONS IN MM [INCH]
2. GENERAL TOLERANCE: X.X = ± 0.4  
X.XX = ± 0.25
3. TERMINAL NOS. FOR REF. ONLY
- ▲ 4. RATINGS: ANSI/UL 1054 AND CAN/CSA C22.2 NO.55 (E194579):  
16A 125VAC [UR, cUR]  
10A 250VAC [UR, cUR]  
1/3 HP 125/250VAC [UR, cUR]  
EN 61058-1:2002:  
10(4)A 250V~ μ 1E4 T125/55 [ENEC14]  
10(2)A 250V~ μ 5E4 T85/55 [ENEC14]
- ▲ 5. CONTACT MATERIAL: SILVER ALLOY CLAD COPPER
6. CONTACT RESISTANCE: 35mΩ MAX. @ 50VAC INITIAL
7. INSULATION RESISTANCE: 100MΩ MIN. @ 500VDC
8. DIELECTRIC STRENGTH: 1,500 VAC FOR 1 MINUTE
9. ELECTRICAL LIFE: 6,000 CYCLES [UR, cUR]  
10,000 CYCLES [ENEC14: 10(4)A 250V~]  
50,000 CYCLES [ENEC14: 10(2)A 250V~]
10. TEMPERATURE: -20°C to 105°C [UR, cUR]  
-20°C to 125°C [ENEC14: 10(4)A 250V~]  
-20°C to 85°C [ENEC14: 10(2)A 250V~]
11. ▲ DENOTES CRITICAL PARAMETER



▲ BODY COLOR: WHITE

▲ ACTUATOR COLOR: WHITE



REV	ECO NO	DESCRIPTION	DATE	BY
A	ECO-100098	RELEASE	05/18/21	JM



OBJECT ID  
100116593

TITLE RE181C2200				
SCALE 2:1	DATE 5/12/2021	DR JM	DWG 38-RE181C2200	REV A