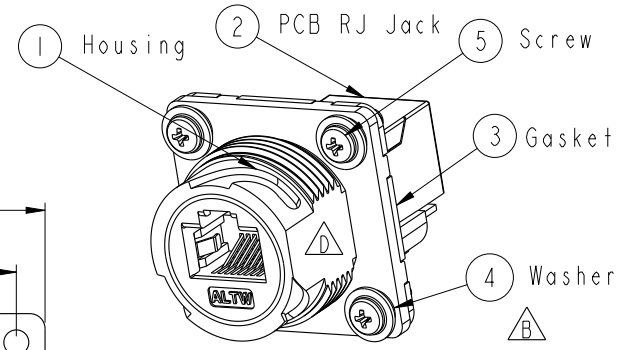
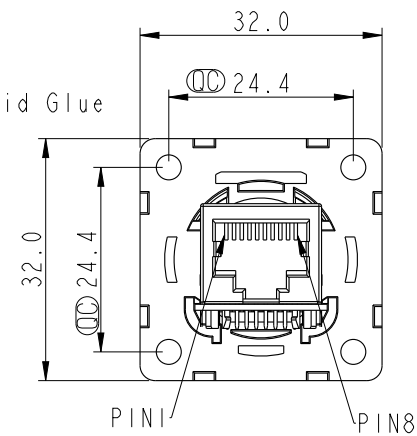
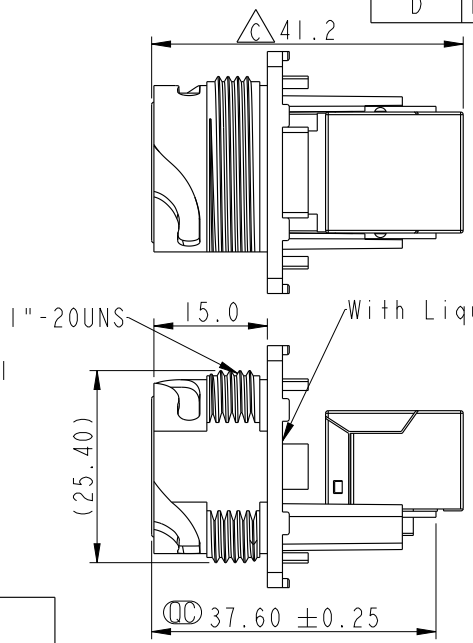
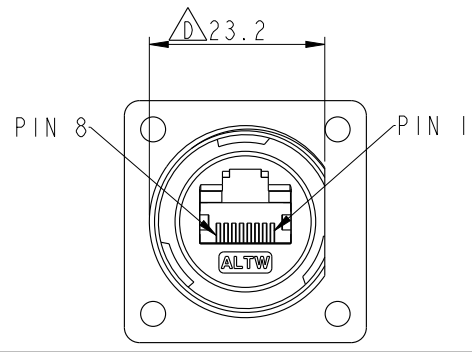


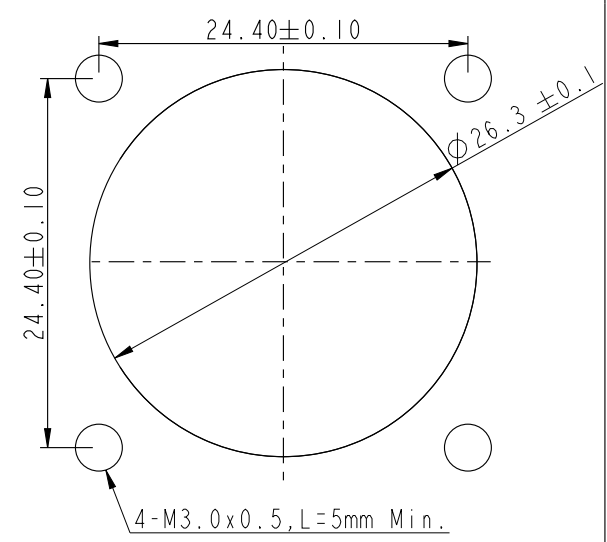
THIS DOCUMENT IS SUBJECT TO CHANGE WITHOUT NOTICE. IT IS CONFIDENTIAL AND A PROPERTY OF AMPHENOL LTW. DISCLOSURE TO THIRD PARTY HAS TO BE AUTHORIZED BY AMPHENOL LTW.

REV.	ECN NO.	DATE	SIGN	DESCRIPTION
C	LEN13C0148	2013/12/18	Tom_gu	Change Dimension
D	LE31480171	2014/07/17	Tom_gu	Change D Cut,Gasket

ALTW
CONFIDENTIAL
 2014-07-17
R&D DEPT.



Recommended Panel Cut-out



- Note:**
- * CC Important Dimension
 - * Waterproof Rate : IP67(Unmated Waterproof)
 - * Housing : Nylon+GF, BLACK
 - * Screw : SUS30X, M3.0x0.5, L8.0
 - * Gasket : Silicone, Gray.
 - * PCB: FR-4
 - * Jack : PBT Polyester
 - * Screw torsion value range: 3~3.5kgf-cm
 - * Temperature Range: -40°C to 105°C

$\triangle B$ $\triangle D$

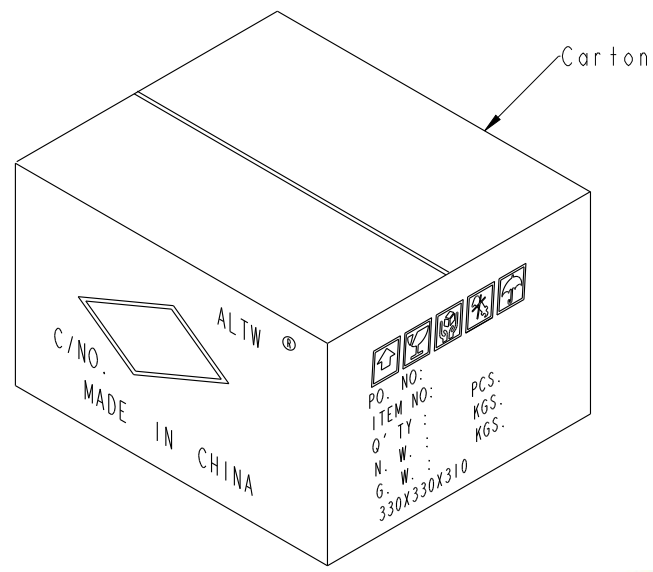
UNIT: mm			TITLE RJ45, D SIZE, UNMATED WATERPROOF SQUARE $\triangle B$
TOLERANCE .X ±0.25 .XX ±0.1 .XXX ±0.05 ANGLES ±1°	SCALE 1:1	SIZE A4	SHEET 1 OF 2
	REV. D	WC-REV. C.3	CC : Inspection item

Amphenol LTW
 安費諾亮泰企業股份有限公司

ITEM NO. RDP-5SPFFH-TSU7001	DRAWN BY Tom	DATE 2014-07-17
DWG NO. RDP-5SPFFH-TSU7001	CHECKED BY Ludi	DATE 2014-07-17
CUSTOMER ALTW	APPROVED BY Victor	DATE 2014-07-17

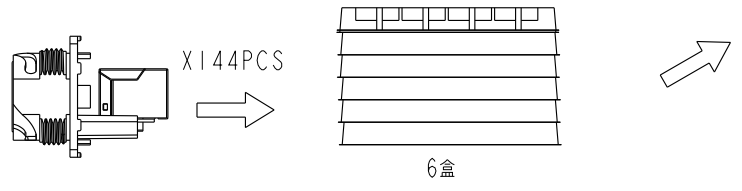
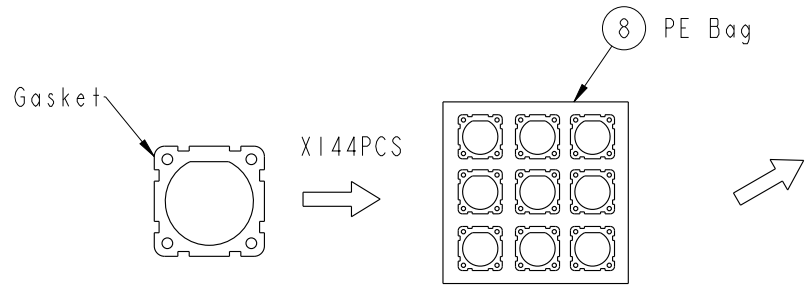
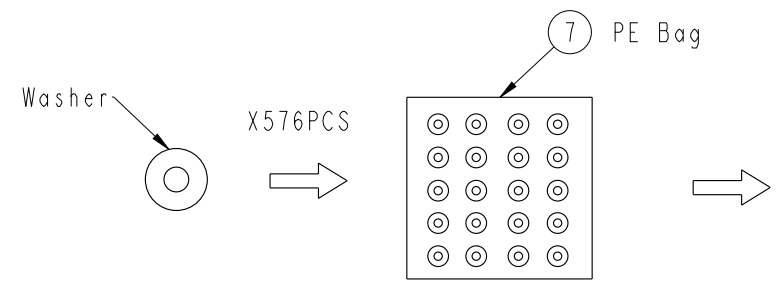
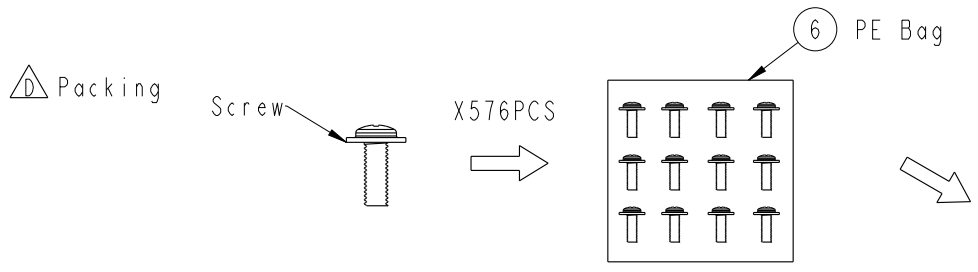
THIS DOCUMENT IS SUBJECT TO CHANGE WITHOUT NOTICE. IT IS CONFIDENTIAL AND A PROPERTY OF Amphenol LTW. DISCLOSURE TO THIRD PARTY HAS TO BE AUTHORIZED BY Amphenol LTW.

ALTW
CONFIDENTIAL
 2014-07-17
R&D DEPT.



ALTW
 DCC. DEPT.
CONFIDENTIAL
 2014.08.12
ISSUED

Note:
 * Important Dimension
 * IPCS產品配IPCS Gasket, 4PCS Washer, 4PCS Screw
 * 配件的出貨數量參考實際產品出貨數量



UNIT: mm		
TOLERANCE	.X ±0.25	
	.XX ±0.1	
	.XXX ±0.05	
ANGLES	±1°	

TITLE RJ45, D SIZE, UNMATED WATERPROOF SQUARE			
SCALE 1:1	SIZE A4	SHEET 2 OF 2	
REV. D	WC-REV. C.3	QC: Inspection item	

Amphenol LTW
 安費諾亮泰企業股份有限公司

ITEM NO. RDP-5SPFFH-TSU7001	DRAWN BY Tom	DATE 2014-07-17
DWG NO. RDP-5SPFFH-TSU7001	CHECKED BY Ludi	DATE 2014-07-17
CUSTOMER ALTW	APPROVED BY Victor	DATE 2014-07-17