



Antennas > Dipole Antennas: Single, Dual & Tri-Band



Wireless Application: **IoT, M2M, Wi-Fi**

Antenna Connector Type: **SMA Male**

Antenna Style: **External**

Antenna Type: **Dipole**

[All Dipole Antennas: Single, Dual & Tri-Band \(17\)](#)

Features

Product Type Features

Antenna Connector Type	SMA Male
------------------------	----------

Configuration Features

Number of Ports	1
Antenna Style	External
Antenna Type	Dipole

Signal Characteristics

Gain (Max)	5 dB
Frequency Band	2400 – 2500 MHz, 4900 – 5850 MHz

Operation/Application

Coverage Type	Omnidirectional
---------------	-----------------

Industry Standards

Wireless Application	IoT, M2M, Wi-Fi
----------------------	-----------------

Product Compliance

[For compliance documentation, visit the product page on TE.com>](#)

EU RoHS Directive 2011/65/EU	Compliant with Exemptions
EU ELV Directive 2000/53/EC	Not Yet Reviewed
China RoHS 2 Directive MIIT Order No 32, 2016	Restricted Materials Above Threshold



EU REACH Regulation (EC) No. 1907/2006

Current ECHA Candidate List: JAN 2023
(233)

Not Yet Reviewed

Halogen Content

Not Yet Reviewed for halogen content


Solder Process Capability

Not reviewed for solder process capability


Product Compliance Disclaimer

This information is provided based on reasonable inquiry of our suppliers and represents our current actual knowledge based on the information they provided. This information is subject to change. The part numbers that TE has identified as EU RoHS compliant have a maximum concentration of 0.1% by weight in homogenous materials for lead, hexavalent chromium, mercury, PBB, PBDE, DBP, BBP, DEHP, DIBP, and 0.01% for cadmium, or qualify for an exemption to these limits as defined in the Annexes of Directive 2011/65/EU (RoHS2). Finished electrical and electronic equipment products will be CE marked as required by Directive 2011/65/EU. Components may not be CE marked. Additionally, the part numbers that TE has identified as EU ELV compliant have a maximum concentration of 0.1% by weight in homogenous materials for lead, hexavalent chromium, and mercury, and 0.01% for cadmium, or qualify for an exemption to these limits as defined in the Annexes of Directive 2000/53/EC (ELV). Regarding the REACH Regulations, TE's information on SVHC in articles for this part number is still based on the European Chemical Agency (ECHA) 'Guidance on requirements for substances in articles' (Version: 2, April 2011), applying the 0.1% weight on weight concentration threshold at the finished product level. TE is aware of the European Court of Justice ruling of September 10th, 2015 also known as O5A (Once An Article Always An Article) stating that, in case of 'complex object', the threshold for a SVHC must be applied to both the product as a whole and simultaneously to each of the articles forming part of its composition. TE has evaluated this ruling based on the new ECHA "Guidance on requirements for substances in articles" (June 2017, version 4.0) and will be updating its statements accordingly.

Compatible Parts



TE Part # RD2458-5-RSMA
Dipol,RDuck,Fixed,RSMAM 2400-5850MHz,5dB



TE Part # RD2458-5-NM
Dipol,RDuck,Fixed,NM 2400-5850MHz,5dB


Customers Also Bought



TE Part #5-2176326-4
CRGP 0603 270K 1%



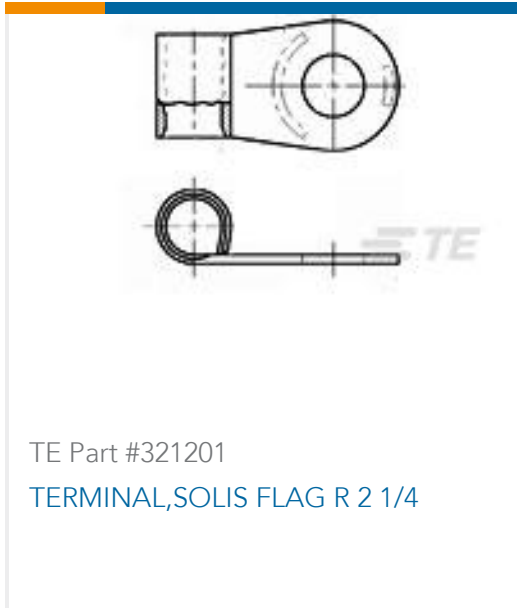
TE Part #DBA6927C1-FSMAM
DIPOL,DBA,SMAM,BLK,90D 698-2700Mhz,2dBi,



TE Part #HCF69273BN-60A
Cellular Omni Antennas: Low-Profile Phantom



TE Part #LPS69273NT-61SMAM
INFRA M2M,OMNI SISO 3G-4G, SMAM,RG316



Documents

Product Drawings

Dipol,RDuck,Fixed,SMAM 2400-5850MHz,5dBi

English

Datasheets & Catalog Pages

Tri-Band 2.4, 5.3, and 5.8 GHz Antenna

English

Agency Approvals

UK Declaration of Conformity

English