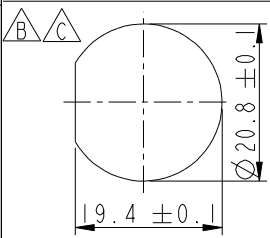
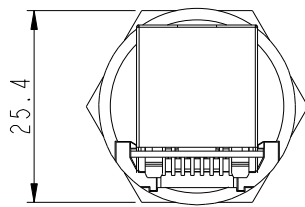
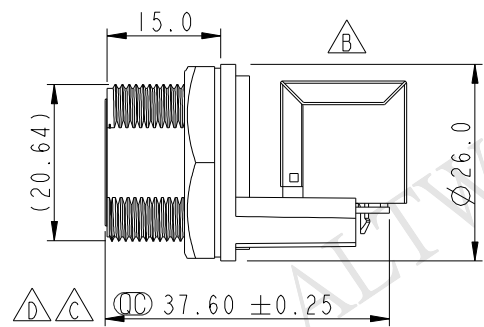
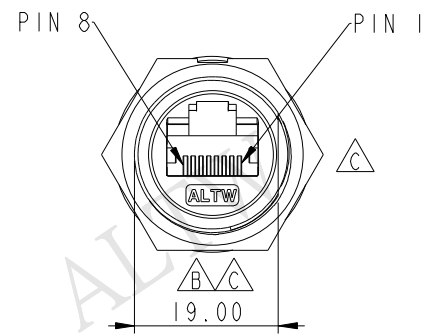
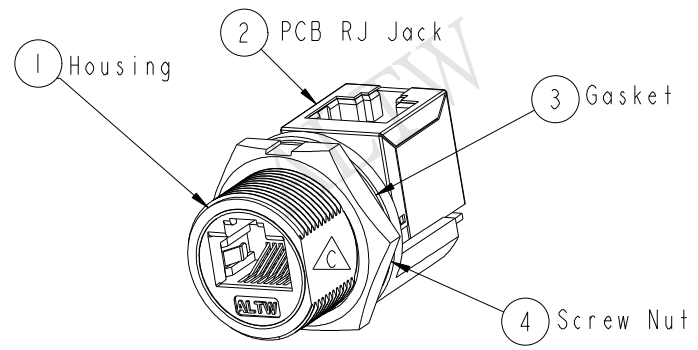
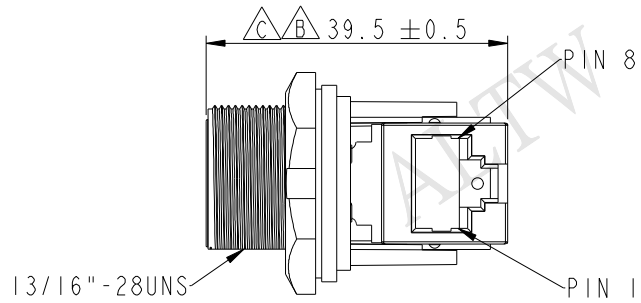
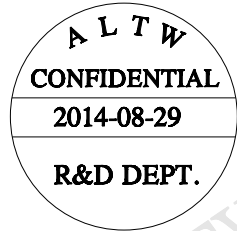


REV.	ECN NO.	DATE	SIGN	DESCRIPTION
C	LEN1440111	2014-04-10	Tom_gu	Change H Cut To D Cut
D		2014-8-29	Feng_Li	Change Size



Recommended Panel Cut-out Rear View



- Note:
- \*  $\varnothing$  Important Dimension
  - \* Waterproof Rate : IP67 Unmated
  - \* Housing : Nylon+GF,UL 94V-0,BLACK
  - \* Screw Nut : Nylon+GF,BLACK
  - $\triangle B$  \* Gasket : Silicone,UL 94V-0,Gray.
  - \* PCB: FR-4
  - \* Jack : PBT Polyester UL 94V-0
  - $\triangle B$  \* Use without Waterproof cap or Dust cap  
For Panel Thickness Max: 4.2mm
  - \* Use with Waterproof cap or Dust cap  
For Panel Thickness Max: 3.0mm
  - $\triangle B$  \* Screw torsion value range: 8~12kgf-cm

UNIT: mm		TITLE RJ45,C SIZE,WATERPROOF			ITEM NO RCP-5SPFFV-SCU7001		DRAWN BY Feng_Li		DATE 2014-08-29	
		TOLERANCE .X ±0.25 .XX ±0.1 .XXX ±0.05 ANGLES ±1°			SCALE 1:1	SIZE A4	SHEET 1	OF 1	CHECKED BY Tom	
		REV. D	WC-REV. C.2	$\varnothing$ : Inspection item	CUSTOMER ALTW		APPROVED BY Victor		DATE 2014-08-29	

**Amphenol LTW**  
安費諾亮泰企業股份有限公司

THIS DOCUMENT IS SUBJECT TO CHANGE WITHOUT NOTICE. IT IS CONFIDENTIAL AND A PROPERTY OF AMPHENOL LTW. DISCLOSURE TO THIRD PARTY HAS TO BE AUTHORIZED BY AMPHENOL LTW.