

## RC-200124-DN - ISO Mini Relays Series



Series: ISO Mini Relays

General purpose relays fit many vehicles. Typical applications include: lighting, starting, horn, heating and cooling.

- Voltage:** 12, 24 Vdc
- Amps:**  
 12 Vdc: NO 40 A, NC 30 A  
 24 Vdc: NO 20 A, NC 15 A
- Circuitry:** Form A (SPST), Form C (SPDT), Form 2A (SPST, 2 Terminals)
- Contacts:** Normally Open (NO), Normally Closed (NC)
- Contact Material:** Silver alloy
- Terminals:** Blade

Questions? Contact Littelfuse Support

### Product Literature

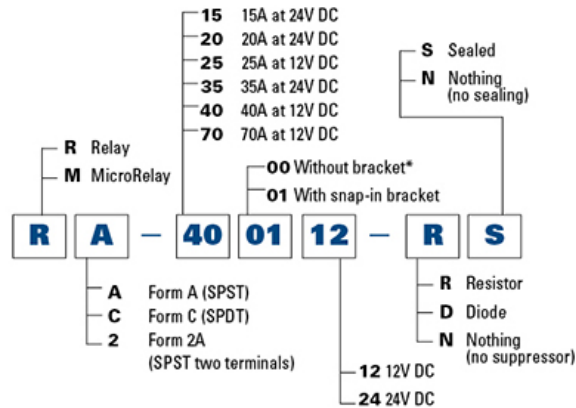
**Commercial Vehicle Technical Center**

FAQ  
Gossary  
Technical Notes  
and much more



[Click Here to Explore](#)

### Relay Part Number Structure



### Specifications

Property (Mouseover for details)	Value
Description	20 A Normally Open, 15 A Normally Closed @ 24 Vdc mini relay with snap-in bracket
Form	C
Bracket	Snap-in
Voltage rating	24
Suppression	Diode
Sealing	None

---

**Connect with Littelfuse**

Sign up to receive special offers and news

For more details about how we use your information, check our [Privacy Statement](#).



**About Littelfuse**

- [About Littelfuse](#)
- [Conflict Free Statement](#)
- [History](#)
- [Investor Relations](#)
- [Legal](#)
- [Press Room](#)
- [Privacy Statement](#)
- [Supply Chain Transparency](#)
- [Website Feedback](#)

**Explore Littelfuse**

- [Capabilities Brochures](#)
- [Careers](#)
- [Check Distributor Stock](#)
- [Competitor Cross Reference](#)
- [Industries](#)
- [Order Samples](#)
- [Products](#)
- [Services](#)

**Technical Resources**

- [Application Designs](#)
- [Education](#)
- [FAQs](#)
- [iDesign™](#)
- [Littelfuse University](#)
- [Product Catalogs](#)
- [Quality Documents](#)
- [Technical Documents](#)

Littelfuse, Inc. 8755 West Higgins Road Suite 500, Chicago, IL, 60631 USA, 773-628-1000 Copyright © 2015 Littelfuse, Inc.