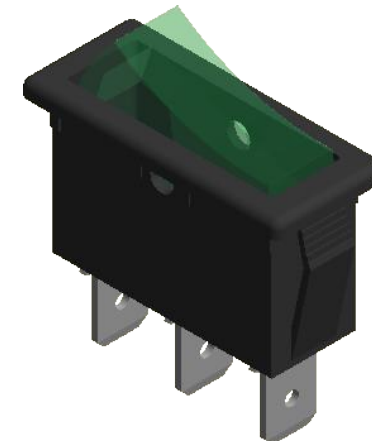
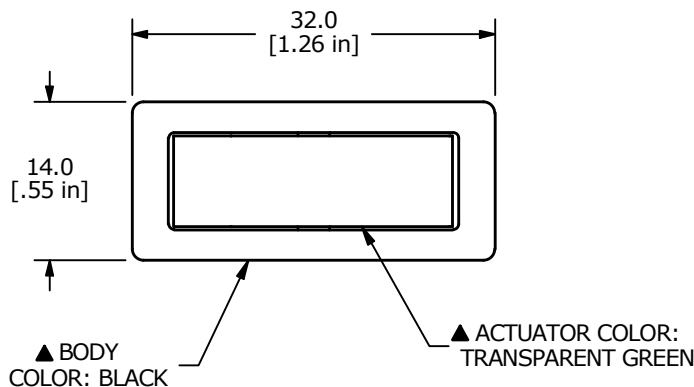
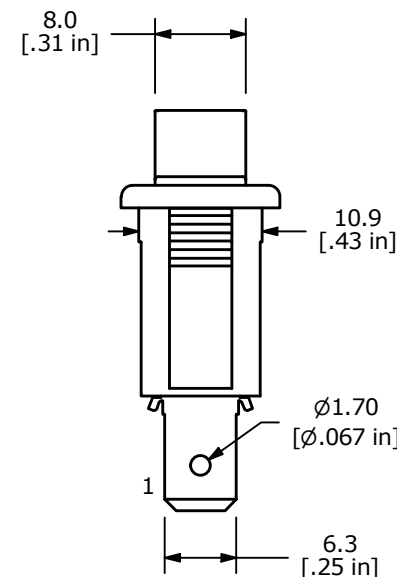
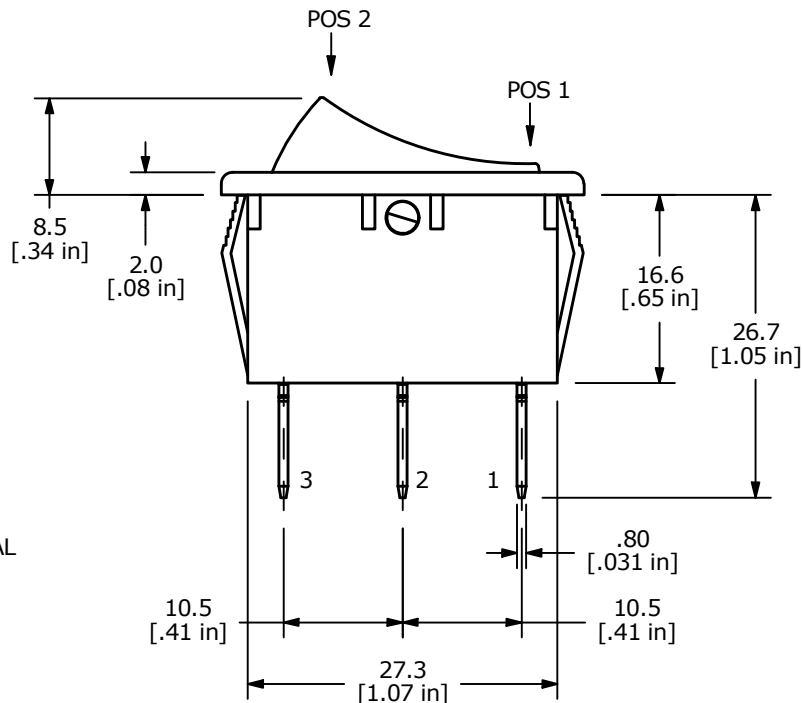
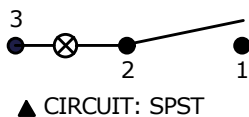


PANEL CUTOUT

PANEL THICKNESS	(x)
0.75 - 1.25	30.0
1.25 - 2.00	30.4
2.00 - 3.00	30.7



SWITCH FUNCTION	
POS. 2	POS. 1
ON	OFF
2-1	NONE



NOTE:

1. DIMENSIONS IN MM [INCH]
2. GENERAL TOLERANCE: X.X = ± 0.4
X.XX = ± 0.25
3. TERMINAL NUMBERS FOR REF ONLY
- ▲ 4. CONTACT MATERIAL: SILVER
- ▲ 5. CONTACT RATINGS:
ANSI/UL 61058-1
15A @ 125VAC [cURus]
7.5A @ 250VAC [cURus]
6. CONTACT RESISTANCE: 35mΩ MAX. @ 50VAC INITIAL
7. INSULATION RESISTANCE: 100MΩ MIN. @ 500VDC
8. DIELECTRIC STRENGTH: 1,500VAC FOR 1 MINUTE
9. ELECTRICAL LIFE: 10,000 CYCLES [cURus]
10. OPERATING TEMPERATURE: -20°C to 65°C
- ▲ 11. ILLUMINATION VOLTAGE: 24V
12. ▲ DENOTES CRITICAL PARAMETER

REV	ECO NO	DESCRIPTION	DATE	BY
C	ECO-101379	UPDATE PRINT	12/16/22	JS



OBJECT ID
000001458

TITLE RB141C1000-135				
SCALE	DATE	DR	DWG	REV
3:2	5/3/2011	CAB	38-RB141C1000135	C