

RACPRO1-S240E Series ◊ 1AC DIN-Rail Power Supply

240W ◊ Input: 120/240VAC nom.

FEATURES

- Slim Design (39mm) with 25° Push-In connectors
- Active Inrush Current Limit
- Split AC-Input 85V to 132VAC & 170V to 277VAC
- Highest Efficiency up to 94%
- Adjustable output voltage 12V, 24V, 48V
- Reduced no load power consumption 0.7W to 0.8W
- Full Power -40°C/+60°C, Boost Power 150%/5s
- Thermal Power Bonus 120%/45°C
- Lifetime Expectancy 165khrs/ 40°C/ 75% load
- DC-OK Signal
- Made in Europe
- 3 year warranty



Dimensions (HxWxD): 125.0 x 39.0 x 139mm (4.9 x 1.5 x 4.47 inch)
600g (1.32 lbs)

APPLICATIONS



SAFETY & EMC



DESCRIPTION

The slim RACPRO1-S240E is a high reliability, single phase AC input, 240W DIN Rail mount power supply in extremely compact dimensions of 125 x 139mm with a width of only 39mm with 12V, 24V or 48V output. It is a cost-efficient answer for demanding applications in the harsh industrial automation field with an extended return voltage immunity making it suitable for safe operation against back feeding loads like decelerating motors and inductors. The split input range of 85V to 132VAC and 170V to 277VAC allows operation on worldwide mains from 100V/120VAC to 200/240VAC. These units will deliver up to 240W over the full -40°C to +60°C ambient temperature range with only convection cooling. An extended power bonus of up to 288W at 45°C plus a power boost of up to 150% for 5s makes them suitable for powering highly inductive or capacitive loads. The unique and innovative modern design with 25° push-in connectors allows easy tool-less installation or replacement. The product is certified according to the global safety standards IEC/EN/UL 61010-1 and IEC/EN/UL/CSA 61010-2-201. Electromagnetic radiated and conducted emissions are compliant to heavy industrial EN 61000-6-3 Class B emission standard and EN 61000-6-2 immunity standard.

SELECTION GUIDE

Part Number	Input Voltage Range [VAC]	Output Voltage nom. [VDC]	Adjustable Output Voltage [VDC]	Output Current nom. [A]	Efficiency ⁽¹⁾ typ. [%]	rated Output Power ⁽²⁾ [W]
RACPRO1-S240E/12	85-132 / 170-277	12	12-15	15	91.3	180
RACPRO1-S240E/24	85-132 / 170-277	24	24-29	10	93.1	240
RACPRO1-S240E/48	85-132 / 170-277	48	48-56	5	94	240

Note1: Efficiency is tested at nominal input (230VAC) and full load at +25°C ambient.

Note2: Thermal Power Bonus 120% (T_{AMB}= 45°C max.), and Boost Power 150%/5sec max.; refer to „Boost Power“.

ACCESSORIES

Part Number	Description	Datasheet Link
RACPRO1-4SP/24V/5A	electronic circuit breaker; 4-channel; input voltage DC 24 V adjustable output current 1.75-5.75A and selectable NEC Class 2 mode	RACPRO1-4SP/24V/5A.pdf
RACPRO1-4SP/24V/10A	electronic circuit breaker; 4-channel; input voltage DC 24 V; adjustable output current 3.5-11.5A	RACPRO1-4SP/24V/10A.pdf
RACPRO1-RD40	highly efficient n+1 redundancy or decoupling diode module 2 x 20A or 1 x 40A for power supplies with 12V, 24V or 48V output voltage	RACPRO1-RD40.pdf

RACPR01-S240E Series ◊ 1AC DIN-Rail Power Supply

240W ◊ Input: 120/240VAC nom.

BASIC CHARACTERISTICS (measured @ $T_{AMB} = 25^{\circ}C$, 230VAC full load and after warm-up unless otherwise stated)

Parameter	Condition		Min.	Typ.	Max.
Nominal Input Voltage	automatic voltage selection	low line	100VAC		120VAC
		high line	200VAC		240VAC
Operating Range ⁽³⁾	low line		85VAC		132VAC
	high line		170VAC		277VAC
Turn-on Voltage				80VAC	
Turn-off Voltage				75VAC	
Input Current	RACPR01-S240E/12	120VAC		3.4A	
		240VAC		1.5A	
	RACPR01-S240E/24 RACPR01-S240E/48	120VAC		4.2A	
		240VAC		2A	
Inrush Current	cold start	120VAC		3.3A	
		240VAC		6.3A	
No Load Power Consumption	120VAC			0.7W	
	240VAC			0.8W	
Input Frequency Range			47Hz		63Hz
Nominal Output Voltage (factory set)	RACPR01-S240E/12			12VDC	
	RACPR01-S240E/24			24VDC	
	RACPR01-S240E/48			48VDC	
Minimum Load			0%		
Power Factor	240VAC, full load			0.6	
Start-up time	120VAC			650ms	700ms
	240VAC			820ms	900ms
Rise time				14ms	
Hold-up time	120VAC		32ms	40ms	
	240VAC		34ms	42ms	
Internal Operating Frequency				70kHz	
Ripple and Noise	20MHz bandwidth	120VAC		128mVp-p	
		240VAC		88mVp-p	

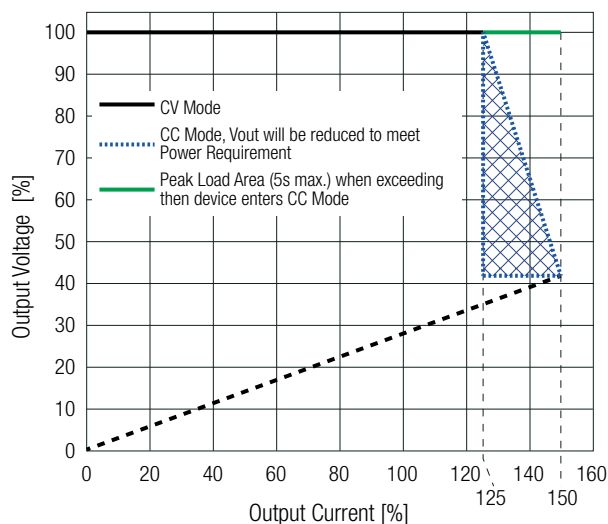
Note3: The products were submitted for safety files at AC (120/240VAC ±10%).

Output power derating for Line-input of less than:

12Vout: 108Vac/190Vac (derate linearly from 100% at 108Vac to 88% at 85Vac / 100% at 190Vac to 92% at 175Vac)

24/48Vout: 90Vac/190Vac (derate linearly from 100% at 90Vac to 90% at 85Vac / 100% at 190Vac to 85% at 175Vac)

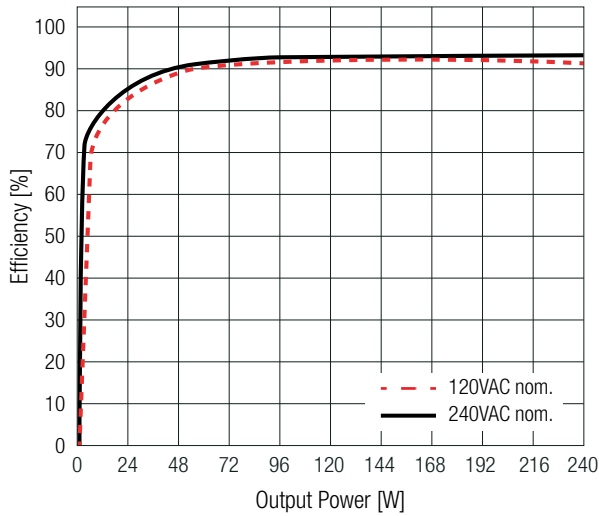
U/I Characteristic



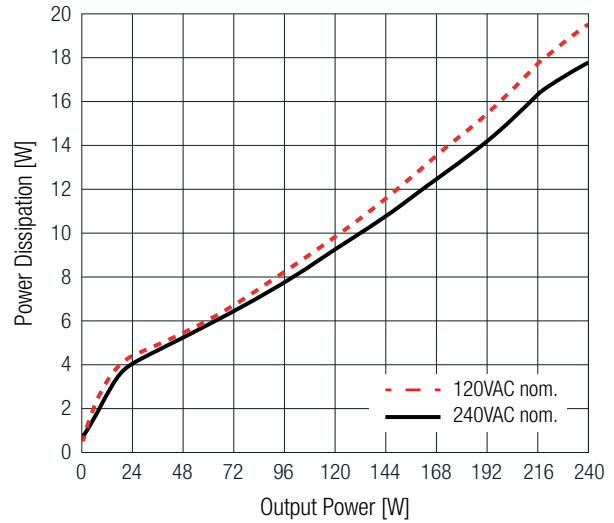
BASIC CHARACTERISTICS (measured @ T_{AMB}= 25°C, 230VAC full load and after warm-up unless otherwise stated)

RACPR01-S240E/24

Efficiency vs. Load



Power Dissipation vs. Load



ADDITIONAL FEATURES

Parameter	Condition		Value
Output Voltage Adjustability ⁽⁴⁾	potentiometer	RACPR01-S240E/12	12-15VDC
		RACPR01-S240E/24	24-29VDC
		RACPR01-S240E/48	48-56VDC
Boost Power	refer to „Boost Power“		150% for 5s
DC-OK LED	LED green		output voltage ok, normal mode
	LED off		abnormal mode, no operation or failure
Signal Contact	closed		normal mode
	open		abnormal mode, no operation or failure
Signal Contact Rating	do not connect signaling contact to hazardous voltages	RACPR01-S240E/12; RACPR01-S240E/24	30VDC/0.1A
		RACPR01-S240E/48	60VDC/0.1A

Note4: Make sure that the maximum rated output power will not be exceeded when trimming up.

REGULATIONS (measured @ T_{AMB}= 25°C, 230VAC full load and after warm-up unless otherwise stated)

Parameter	Condition	Value
Output Accuracy		±1.0% max.
Line Regulation	low line to high line, full load	±0.5% max.
Load Regulation	0% to 100% load	±1.0% max.
Max. Capacitive Load (start-up)	RACPR01-S240E/12; RACPR01-S240E/24	20mF
	RACPR01-S240E/48	10mF
Transient Response	10-100% load	±2.0% typ.
	recovery time	10ms typ.

RACPR01-S240E Series ◊ 1AC DIN-Rail Power Supply

240W ◊ Input: 120/240VAC nom.

PROTECTIONS (measured @ T_{AMB} = 25°C, 230VAC full load and after warm-up unless otherwise stated)

Parameter	Type		Value
Internal Input Fuse			T6.3A, slow-blow
External Input Protection			16A max. C-characteristic circuit breaker or faster
Short Circuit Protection (SCP)			hiccup mode, auto recovery
Over Voltage Protection (OVP)	SELV output	RACPR01-S240E/12	19VDC, hiccup mode
		RACPR01-S240E/24	37VDC, hiccup mode
		RACPR01-S240E/48	59.8VDC, hiccup mode
Return Voltage Immunity	continuous	RACPR01-S240E/12	20VDC max.
		RACPR01-S240E/24	35VDC max.
		RACPR01-S240E/48	63VDC max.
	<5 min	RACPR01-S240E/12	25VDC max.
		RACPR01-S240E/24	38VDC max.
		RACPR01-S240E/48	63VDC max.
Absorbing Energy	RACPR01-S240E/12		1.5J
	RACPR01-S240E/24		1.3J
	RACPR01-S240E/48		2J
Over Voltage Category (OVC)			OVC II (5000m)
			OVC III (2000m)
Over Current Protection (OCP)	<5 sec		>150% of rated load current, hiccup mode, auto recovery
Class of Equipment			Class I with PE connection
Isolation Voltage (safety certified) ⁽⁶⁾	tested for 1 minute	I/P to O/P	3kVAC / 4kVDC
		I/P to PE	1.6kVAC / 2.5kVDC
		O/P to PE	500VAC / 700VDC
Isolation Resistance	I/P to O/P		4.5MΩ min.
Insulation Grade			reinforced
Earth Leakage Current	240VAC/60Hz		2mA max.

Note5: For repeat Hi-Pot testing, reduce the time and/or the test voltage

ENVIRONMENTAL (measured @ T_{AMB} = 25°C, 230VAC full load and after warm-up unless otherwise stated)

Parameter	Condition		Value
Operating Ambient Temperature Range	@ natural convection (0.1m/s)	with derating	-40°C to +70°C
		without derating	refer to „Derating Graph“
Operating Altitude ⁽⁶⁾	refer to „Altitude Derating“		5000m
Operating Humidity	non-condensing		95% RH max.
Pollution Degree			PD2
IP Rating			IP20
Shock	according to IEC 60068-2-27 Fa	non-operating	15G/11ms, 3 times (positive/negative) in all axis
Vibration	according to IEC 60068-2-6 Fc	non-operating	5 - 8.4Hz @ 3.5mm deflection 8.4 -150Hz @ 2G, 10 cycles /axis(min-max-min); 1 octave/min
MTBF	according to EN/IEC 61709 (SN29500), T _{AMB} = 40°C		1230 x 10 ³ hours
Lifetime Expectancy ⁽⁷⁾	230VAC		refer to below table

Note6: Recognized by safety agency for safe operation up to 5000m. High altitude operation may impact the performance and lifetime

Lifetime Expectancy at 230VAC

RACPR01-S240E/24

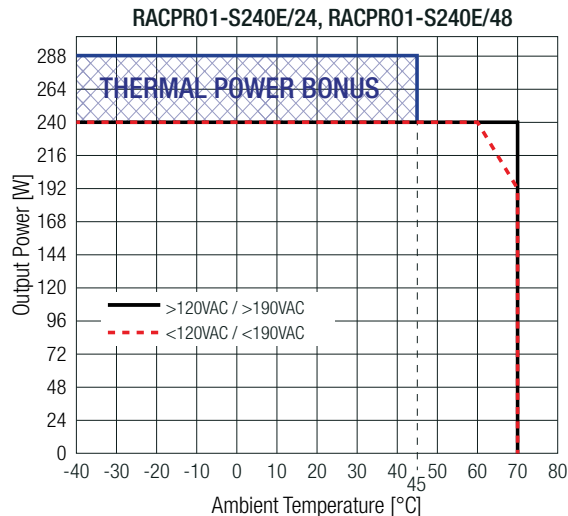
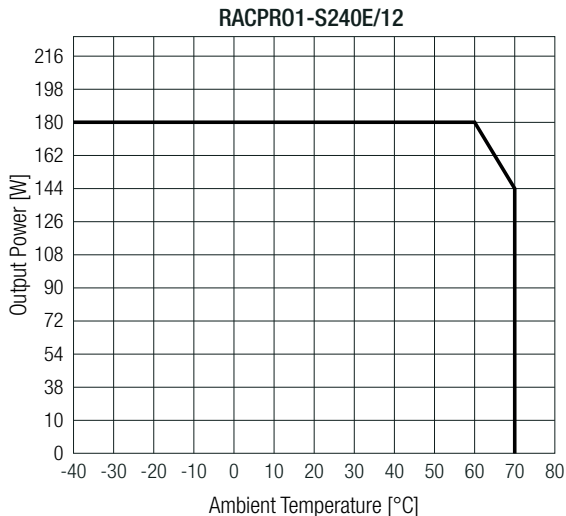
Ambient Temperature	50% Load	75% Load	100% Load
+20°C	743 x 10 ³ hrs.	662 x 10 ³ hrs.	321 x 10 ³ hrs.
+30°C	372 x 10 ³ hrs.	331 x 10 ³ hrs.	161 x 10 ³ hrs.
+40°C	186 x 10 ³ hrs.	165 x 10 ³ hrs.	80 x 10 ³ hrs.

Note7: The stated lifetime expectancy of more than 15 years is provided for comparison purposes only and does not imply continuous 24/7 operation.

ENVIRONMENTAL (measured @ $T_{AMB} = 25^{\circ}\text{C}$, 230VAC full load and after warm-up unless otherwise stated)

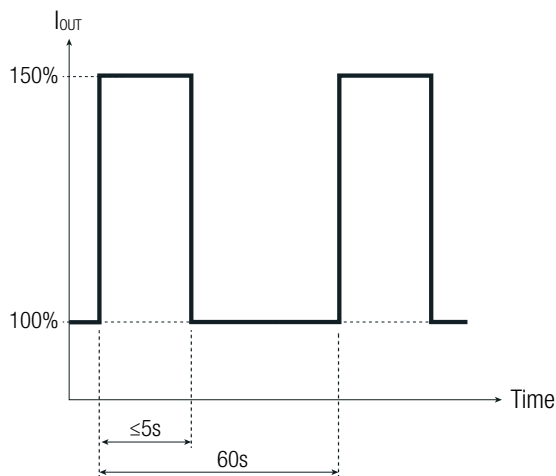
Derating Graph

(@ Chamber and natural convection 0.1m/s, standard mounting orientation)

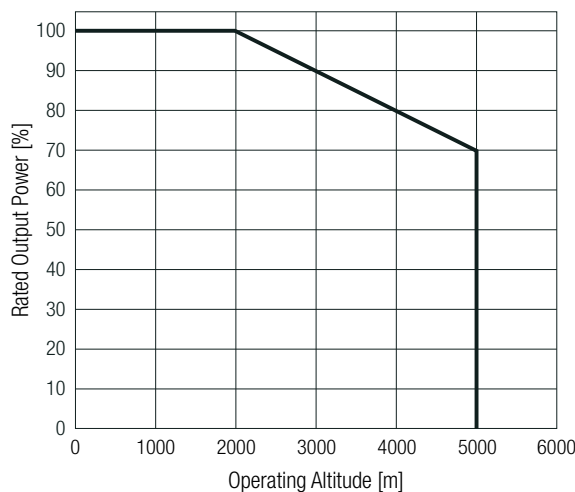


Note8: Thermal power bonus only applies at an input voltage $\geq 108\text{VAC}$ (low line operation) and $\geq 210\text{VAC}$ (high line operation)

Boost Power (-40°C to +60°C max.)



Altitude Derating



SAFETY & CERTIFICATIONS

Certificate Type (Safety)	Report Number	Standard
Electrical Equipment For Measurement, Control, and Laboratory Use; Part 1: General Requirements (CB)	25TH0250_61010-1_0	IEC61010-1:2010+A1:2016 3rd Edition
Electrical Equipment For Measurement, Control, and Laboratory Use; Part 1: General Requirements		EN61010-1:2010+A1:2019
Electrical Equipment For Measurement, Control, and Laboratory Use; Part 1: General Requirements	E550315	UL61010-1:2012 3rd Edition CAN/CSA-C22.2 No. 61010-1-12 3rd Edition
Electrical Equipment For Measurement, Control, and Laboratory Use; Part 2-201: Particular requirements for control equipment (CB)	25TH0250_61010-1_0	IEC61010-2-201:2017 2nd Edition EN IEC 61010-2-201:2018
Electrical Equipment For Measurement, Control, and Laboratory Use; Part 2-201: Particular requirements for control equipment	E550315	UL61010-2-201:2018 2nd Edition CAN/CSA-C22.2 No. 61010-2-201:2018-02-01
RoHS2		RoHS 2011/65/EU + AM2015/863

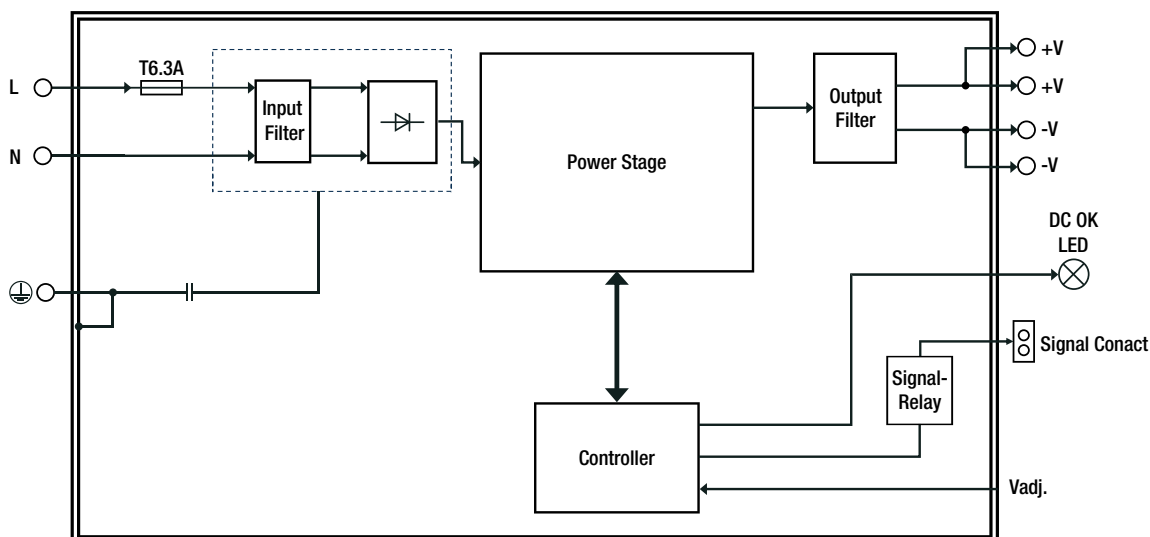
RACPR01-S240E Series \diamond 1AC DIN-Rail Power Supply

240W \diamond Input: 120/240VAC nom.

SAFETY & CERTIFICATIONS

EMC Compliance	Condition		Standard / Criterion
Electromagnetic compatibility (EMC) - Part 6-2: Generic standards - Immunity standard for industrial environments			IEC/EN61000-6-2:2019
Electromagnetic compatibility (EMC) - Part 6-3: Generic standards - Emission standard for residential area			IEC/EN 61000-6-3:2021
ESD Electrostatic discharge immunity test	Air: $\pm 8kV$; Contact: $\pm 6kV$		IEC61000-4-2:2008, Criteria A EN61000-4-2:2009, Criteria A
Radiated, radio-frequency, electromagnetic field immunity test	10V/m (80-1000MHz)		IEC/EN61000-4-3:2006+A2:2010, Criteria A
Fast Transient and Burst Immunity	AC Power Port: $\pm 4kV$ DC-Output Port: $\pm 2kV$		IEC/EN61000-4-4:2012, Criteria A
Surge Immunity	AC-Power Port:	L-N: $\pm 2kV$ L-PE, N-PE, : $\pm 4kV$	IEC/EN61000-4-5:2014+A1:2017, Criteria A
	DC-Output Port:	Vout(+) - Vout(-): $\pm 1kV$ Vout(+)-PE, Vout(-)-PE: $\pm 1kV$	
Immunity to conducted disturbances, induced by radio-frequency fields	10Vrms (0.15-80MHz)		IEC61000-4-6:2013, Criteria A EN61000-4-6:2014, Criteria A
Power Magnetic Field Immunity	30A/m, 50/60Hz		EN61000-4-8:2010, Criteria A
Voltage Dips	230VAC, 50Hz	100%, 5 cycle; 70%, 10 cycles; 40%, 25 cycles; 30%, 25 cycles	IEC61000-4-11:2004+A1:2017, Criteria B
Voltage Interruptions	230VAC, 50Hz	100%, 250 cycles	IEC61000-4-11:2004+A1:2017, Criteria B
Limits of Harmonic Current Emissions			EN IEC 61000-3-2:2019
Limits of Voltage Fluctuations & Flicker			EN61000-3-3:2013+A1:2017

BLOCK DIAGRAM



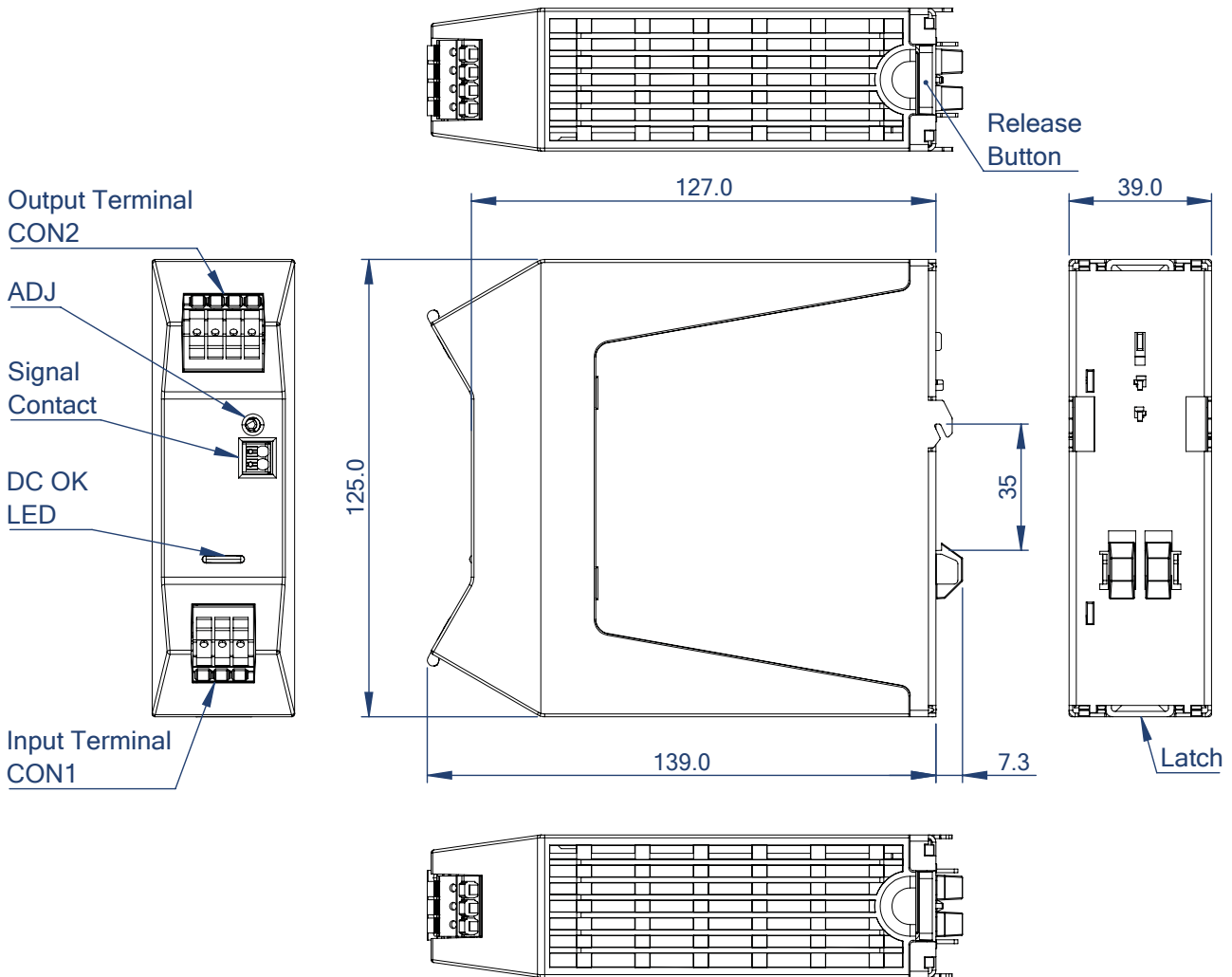
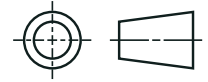
RACPR01-S240E Series ◊ 1AC DIN-Rail Power Supply

240W ◊ Input: 120/240VAC nom.

DIMENSION & PHYSICAL CHARACTERISTICS

Parameter	Type	Value
Material	chassis	polycarbonate (UL94 V-0) / aluminum
Dimension (HxWxD)		125.0 x 39.0 x 139.0mm 4.9 x 1.5 x 4.47 inch
Weight		600g 1.32 lbs

Dimension Drawing (mm)



Function	AWG	mm ²
L, N	24-12	0.25-4
PE ⊕	24-12	0.25-4
+1, +2 (Vout)	24-12	0.25-4
-1, -2 (Vout)	24-12	0.25-4

Wire stripping length: 10-12mm

Function	AWG	mm ²
Signal (13,14)	24-16	0.25-1.5

Wire stripping length: 8-9mm

Note10: Do not connect signaling contact to hazardous voltages. Ferrules are required for flexible cable.

Note9: Use flexible (stranded wire) or solid cables with above wire cross-section is recommended.
Use copper conductors designed for an operating temperature of at least 90°C.

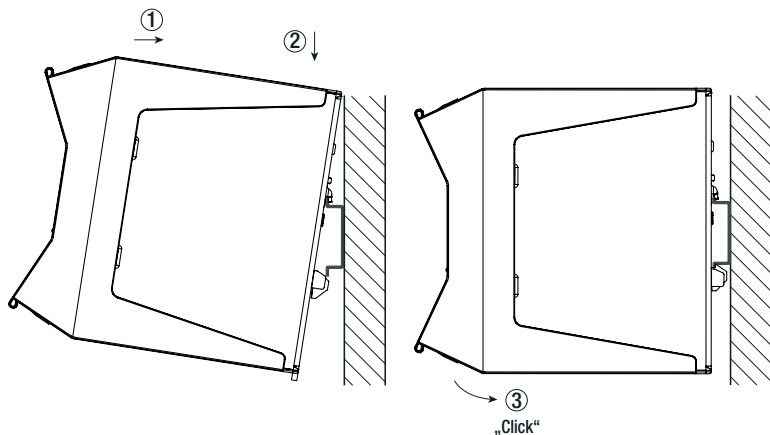
Tolerance: ±0.5mm

INSTALLATION & APPLICATION

Mounting Instruction

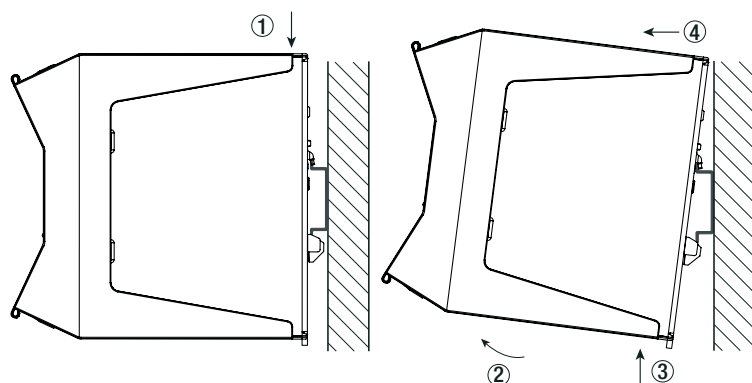
Mounting Rail: Standard TS35 DIN Rail in accordance with EN 60715.

Mounting



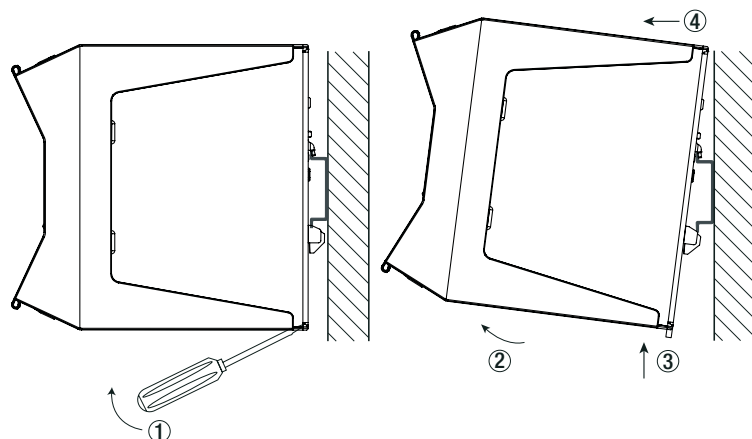
1. Place the device on the DIN rail with a slight upward tilt. Snap the device into the DIN rail.
2. Now tilt the device downwards until it reaches the lower part of the DIN rail.
3. Press the lower part of the device firmly against the rail until the device locks into position on the DIN rail.
4. To make sure it is securely locked in place, give the device a gentle shake.

Release Option 1 (tool-less)



1. Press the unlock button on the top of the device to release the latch from the rail.
2. While pushing the button, slightly tilt the device forward.
3. Pull the device away from the DIN rail by pushing it up.
4. Remove the power supply completely from the rail.

Release Option 2 (by using a screwdriver)



1. Pull the DIN rail latch by using a screwdriver OUT of the device and HOLD it.
2. Tilt the bottom of the device OUT.
3. Pull the device away from the DIN rail by pushing it up.
4. Remove the power supply completely from the rail.

INSTALLATION & APPLICATION

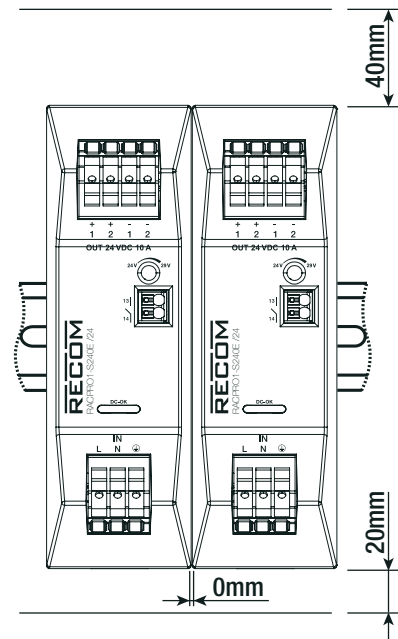
Installation Instructions

To guarantee sufficient convection cooling, keep a distance of 40mm above and 20mm below the device.

For vertical mounting the device should be installed with the input terminal on the bottom (standard orientation).

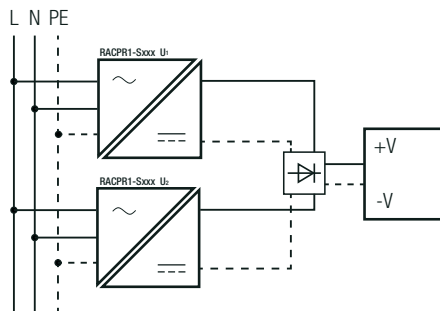
For all other mounting orientations, the maximum output power must be reduced by 15% of the nominal power.

No space between supplies is required.

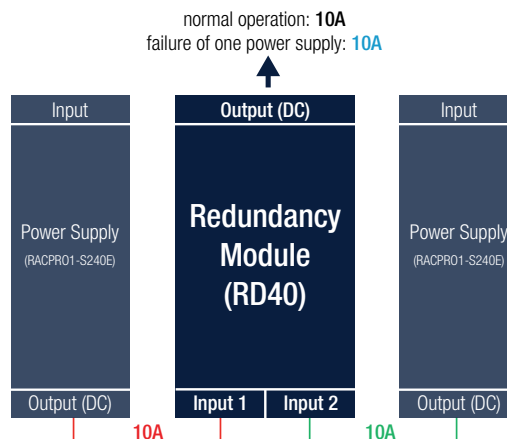


Parallel operation for redundancy 1+1

- 1) Adjust each power supply to the exact same output voltage with same load and cooling conditions.
- 2) Use the same wire length and cable cross-section for each power supply (star connection) and energize all units at the same time to avoid triggering overload protection.
- 3) It must be ensured that one of the power supply is able to provide the total required output power of the DC load to be supplied.
- 4) In normal operation, each of the two power supplies will be utilized by up to 50%.
- 5) **ATTENTION:** To prevent high reverse currents in the event of a secondary output fault, it is recommended to install a protective circuit at the output of each device when more than two power supplies are connected in parallel (e.g. decoupling diode or DC fuse). Leakage current, EMI, inrush current, harmonics will increase when using multiple power supplies.



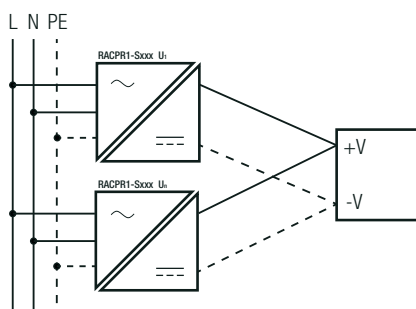
Please Note: This basic redundancy configuration does not protect against internal short circuits on the secondary side. In such cases, the faulty unit may draw current from the remaining supplies, resulting in loss of output regulation. To prevent this, use redundancy modules with integrated decoupling elements. RECOM offers the [RACPR01-RD40](#) redundancy module as a suitable solution for this purpose:



INSTALLATION & APPLICATION

Parallel operation for increasing output power 1+n

- 1) Adjust each power supply to the exact same output voltage with same load and cooling conditions.
- 2) Use the same wire length and cable cross-section for each power supply (star connection) and energize all units at the same time to avoid triggering overload protection.
- 3) A 10% safety margin may be recommended because the power distribution may be slightly asymmetrical depending on the cabling.
- 4) **ATTENTION:** To prevent high reverse currents in the event of a secondary output fault, it is recommended to install a protective circuit at the output of each device when more than two power supplies are connected in parallel (e.g. decoupling diode or DC fuse). Leakage current, EMI, inrush current, harmonics will increase when using multiple power supplies.



Series Operation

- 1) Only use PSU with the same type and performance class with identical parameters.
- 2) To increase the DC output voltage, connect 2 or more power supply units in series.
- 3) Therefore, negative output terminal "-1" of the first power supply unit must be connected to the positive output terminal "+1" of the second power supply unit and routed to the load. Depending on the common output-side earth reference point of the power supply unit, see below table/figures as example.
- 4) **ATTENTION:** Leakage current, EMI, inrush current, harmonics will increase when using multiple power supplies.

Example with 2 PSU's in series:	Figure 1	Figure 2	Figure 3
RACPR01-S240E/24	+48Vdc	-48Vdc	±24Vdc
RACPR01-S240E/48	+96Vdc	-96Vdc	±48Vdc

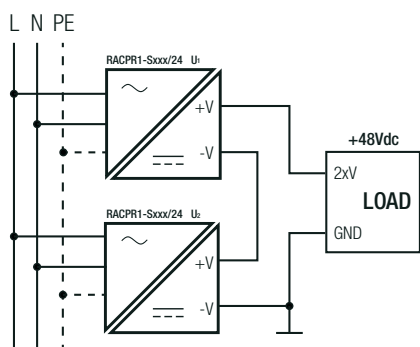


Figure 1

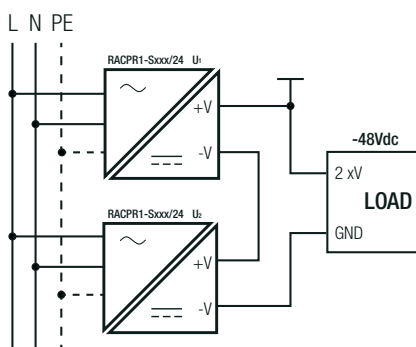


Figure 2

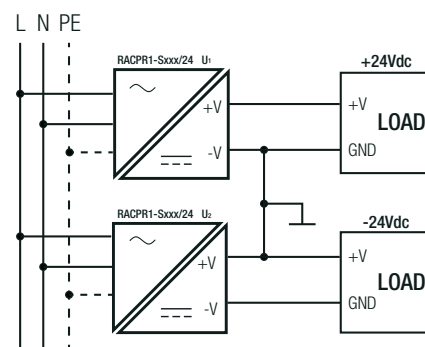


Figure 3

PACKAGING INFORMATION

Parameter	Type	Value
Packaging Dimension (LxWxH)	cardboard box	137.0 x 153.0 x 63.0mm
Packaging Quantity		1 pc
Storage Temperature Range		-40°C to +85°C
Storage Humidity	non-condensing	95% RH max.

The product information and specifications may be subject to changes even without prior written notice. The product has been designed for various applications; its suitability lies in the responsibility of each customer. The products are not authorized for use in safety-critical applications without RECOM's explicit written consent. A safety-critical application is an application where a failure may reasonably be expected to endanger or cause loss of life, inflict bodily harm or damage property. The applicant shall indemnify and hold harmless RECOM, its affiliated companies and its representatives against any damage claims in connection with the unauthorized use of RECOM products in such safety-critical applications.