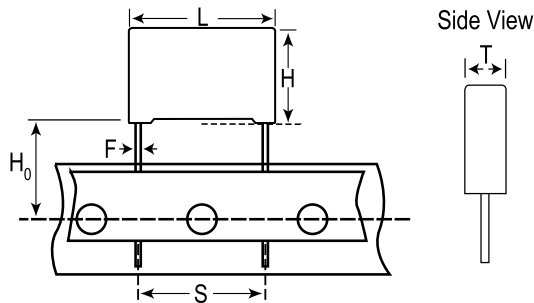


Film, Metallized Polyester Stacked, Commercial Grade, R82, 6800 pF, 10%, 400 V, 85C, Lead Spacing = 5mm



| General Information   |   |
|-----------------------|---|
| <b>Dielectric:</b>    | Metallized Polyester Stacked                    |
| <b>Style:</b>         | Radial  |
| <b>Series:</b>        | R82   |
| <b>Features:</b>      | Pulse   |
| <b>RoHS:</b>          | Yes   |
| <b>Lead:</b>          | Wire Leads                                      |
| <b>Approvals:</b>     | AEC-Q200  |
| <b>AEC-Q200:</b>      | Yes   |
| <b>Miscellaneous:</b> | Above 85C DC And AC Voltage Derating Is 1.25%/C |

| Dimensions |                 |
|------------|-----------------|
| <b>L</b>   | 7.2mm +0.2mm    |
| <b>H</b>   | 7.5mm +0.1mm    |
| <b>T</b>   | 3.5mm +0.1mm    |
| <b>S</b>   | 5mm +/-0.4mm    |
| <b>H0</b>  | 18.5mm +/-0.5mm |
| <b>F</b>   | 0.5mm +/-0.05mm |

| Specifications                |                                    |
|-------------------------------|------------------------------------|
| <b>Capacitance:</b>           | 6800 pF                            |
| <b>Capacitance Tolerance:</b> | 10%                                |
| <b>Voltage DC:</b>            | 400 VDC                            |
| <b>Voltage AC:</b>            | 200 VAC                            |
| <b>Temperature Range:</b>     | -55/+105C                          |
| <b>Rated Temperature:</b>     | 85C                                |
| <b>Dissipation Factor:</b>    | 0.8% 1kHz, 1.2% 10kHz, 2.5% 100kHz |
| <b>Insulation Resistance:</b> | 30 GOhms                           |
| <b>Max dVdt:</b>              | 400 V                              |
| <b>Inductance:</b>            | 7 nH                               |

| Packaging Specifications   |                         |
|----------------------------|-------------------------|
| <b>Packaging:</b>          | Ammo, 360x340x59mm, Box |
| <b>Packaging Quantity:</b> | 2500                    |