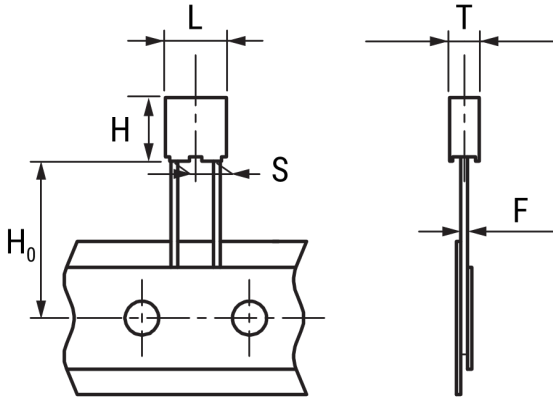


## R82MC1150DQ50K

Aliases (82MC1150DQ50K)

R82, Film, Metallized Polyester Stacked, Automotive Grade, 1500 pF, 10%, 400 VDC, 85°C, 5mm



Click [here](#) for the 3D model.

### Dimensions

|                |                 |
|----------------|-----------------|
| L              | 7.2mm +0.2mm    |
| H              | 6.5mm +0.1mm    |
| T              | 2.5mm +0.1mm    |
| S              | 5mm +0.6/-0.1mm |
| H <sub>0</sub> | 18.5mm +/-0.5mm |
| F              | 0.5mm +/-0.05mm |

### Packaging Specifications

|                    |                         |
|--------------------|-------------------------|
| Packaging          | Ammo, 360x340x59mm, Box |
| Packaging Quantity | 3500                    |

### General Information

|                          |  |
|--------------------------|--|
| Series                   | R82  |
| Dielectric               | Metallized Polyester Stacked                     |
| Style                    | Radial   |
| Features                 | Automotive Grade, DC Multipurpose Applications   |
| RoHS                     | Yes  |
| Termination              | Tinned Wire                                      |
| Lead                     | Wire Leads                                       |
| Qualifications           | AEC-Q200   |
| AEC-Q200                 | Yes  |
| Typical Component Weight | 0.23 g   |
| Miscellaneous            | Above 85C DC And AC Voltage Derating Is 1.25%/C. |

### Specifications

|                       |                                    |
|-----------------------|------------------------------------|
| Capacitance           | 1500 pF                            |
| Capacitance Tolerance | 10%                                |
| Voltage DC            | 400 VDC                            |
| Voltage AC            | 200 VAC                            |
| Temperature Range     | -55/+105°C                         |
| Rated Temperature     | 85°C                               |
| Dissipation Factor    | 0.8% 1kHz, 1.2% 10kHz, 2.5% 100kHz |
| Insulation Resistance | 30 GOhms                           |
| Max dV/dt             | 400 V/us                           |
| Inductance            | 7 nH                               |