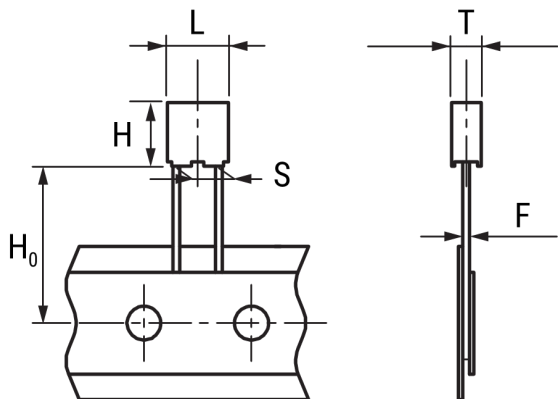


R82IC3100DQ60J

Aliases (82IC3100DQ60J)

R82, Film, Metallized Polyester Stacked, Automotive Grade, 0.1 uF, 5%, 250 VDC, 85°C, 5mm



Click [here](#) for the 3D model.

Dimensions

| | |
|----|-----------------|
| L | 7.2mm +0.3mm |
| H | 9.5mm +0.1mm |
| T | 4.5mm +0.1mm |
| S | 5mm +0.6/-0.1mm |
| H0 | 18.5mm +/-0.5mm |
| F | 0.5mm +/-0.05mm |

Packaging Specifications

| | |
|--------------------|-------------------------|
| Packaging | Ammo, 360x340x59mm, Box |
| Packaging Quantity | 1900 |

General Information

| | |
|--------------------------|--|
| Series | R82 |
| Dielectric | Metallized Polyester Stacked |
| Style | Radial |
| Features | Automotive Grade, DC Multipurpose Applications |
| RoHS | Yes |
| Termination | Tinned Wire |
| Lead | Wire Leads |
| Qualifications | AEC-Q200 |
| AEC-Q200 | Yes |
| Typical Component Weight | 0.637 g |
| Miscellaneous | Above 85C DC And AC Voltage Derating Is 1.25%/C. |

Specifications

| | |
|-----------------------|------------------------------------|
| Capacitance | 0.1 uF |
| Capacitance Tolerance | 5% |
| Voltage DC | 250 VDC |
| Voltage AC | 140 VAC |
| Temperature Range | -55/+105°C |
| Rated Temperature | 85°C |
| Dissipation Factor | 0.8% 1kHz, 1.2% 10kHz, 2.5% 100kHz |
| Insulation Resistance | 30 GOhms |
| Max dV/dt | 130 V/us |
| Inductance | 7 nH |