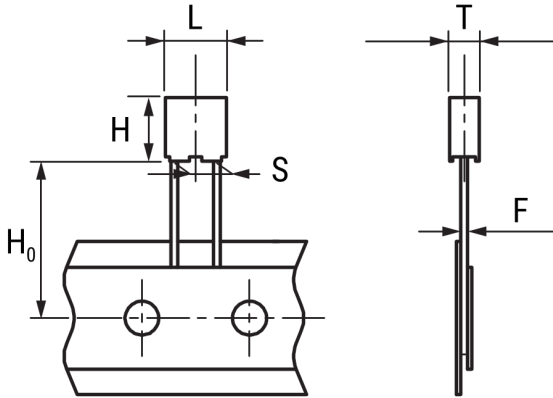


## R82DC3220DQ60J

Aliases (82DC3220DQ60J)

R82, Film, Metallized Polyester Stacked, Automotive Grade, 0.22 uF, 5%, 63 VDC, 85°C, 5mm



Click [here](#) for the 3D model.

### Dimensions

|    |                 |
|----|-----------------|
| L  | 7.2mm +0.2mm    |
| H  | 6.5mm +0.1mm    |
| T  | 2.5mm +0.1mm    |
| S  | 5mm +0.6/-0.1mm |
| H0 | 18.5mm +/-0.5mm |
| F  | 0.5mm +/-0.05mm |

### Packaging Specifications

|                    |                         |
|--------------------|-------------------------|
| Packaging          | Ammo, 360x340x59mm, Box |
| Packaging Quantity | 3500                    |

### General Information

|                          |  |
|--------------------------|--|
| Series                   | R82  |
| Dielectric               | Metallized Polyester Stacked                     |
| Style                    | Radial   |
| Features                 | Automotive Grade, DC Multipurpose Applications   |
| RoHS                     | Yes  |
| Termination              | Tinned Wire                                      |
| Lead                     | Wire Leads                                       |
| Qualifications           | AEC-Q200   |
| AEC-Q200                 | Yes  |
| Typical Component Weight | 0.331 g  |
| Miscellaneous            | Above 85C DC And AC Voltage Derating Is 1.25%/C. |

### Specifications

|                       |                       |
|-----------------------|-----------------------|
| Capacitance           | 0.22 uF               |
| Capacitance Tolerance | 5%                    |
| Voltage DC            | 63 VDC                |
| Voltage AC            | 40 VAC                |
| Temperature Range     | -55/+105°C            |
| Rated Temperature     | 85°C                  |
| Dissipation Factor    | 0.8% 1kHz, 1.2% 10kHz |
| Insulation Resistance | 15 GOhms              |
| Max dV/dt             | 160 V/us              |
| Inductance            | 7 nH                  |