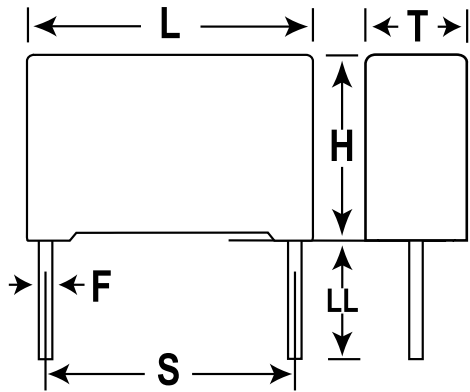


R76, Film, Double Metallized Polypropylene, Commercial Grade, 0.47 uF, 5%, 1,600 V, 85C, Lead Spacing = 37.5mm



General Information	
Supplier:	KEMET
Series:	R76
Dielectric:	Double Metallized Polypropylene
Style:	Radial
Features:	Pulse
RoHS:	Yes
Lead:	Wire Leads
AEC-Q200:	No
Miscellaneous:	Voltage Derating: 1.35%/C Above 75C (AC), 1.25%/C Above 85C (DC)

Dimensions	
L	41.5mm +0.3mm
H	32mm +0.1mm
T	19mm +0.3mm
S	37.5mm +/-0.4mm
LL	30mm +5mm
F	1mm +/-0.05mm

Specifications	
Capacitance:	0.47 uF
Capacitance Tolerance:	5%
Voltage DC:	1600 VDC
Voltage AC:	650 VAC
Temperature Range:	-55/+105C
Rated Temperature:	85C
Dissipation Factor:	0.1% 1kHz, 0.06% 10kHz, 0.1% 100kHz
Insulation Resistance:	63.8298 GOhms
Max dVdt:	1,200 V
Inductance:	20 nH

Packaging Specifications	
Packaging:	Bulk, Bag
Packaging Quantity:	96